



LAEUFER INTERNATIONAL AG

Arc and Diverter Valves

Sanitary Multi-Port Arc and Diverter Valves for highly viscous, fast hardening media and low-germ product recovery processes

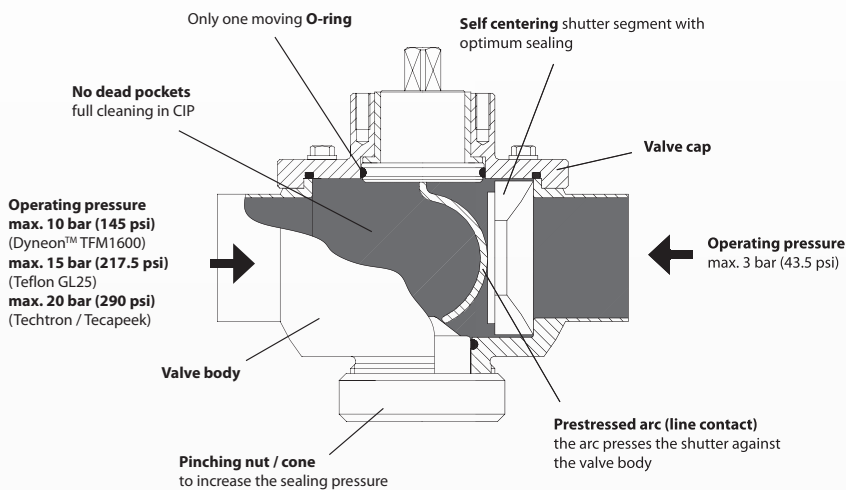
Arc & Diverter Valves – the hygienic alternative to ball valves

LIAG® arc valves and LIAG® diverter valves have been designed according to hygienic design guidelines to meet the high demands of process engineering applications and ensure a high hygienic standard.

Arc valves are particularly suited for viscous/pasty products on account of a totally clear passage, as well as easy and thorough cleaning in place. As a result they provide optimum conditions for a wide variety of lowgerm/sterile product recovery processes (DMV product recovery system).

By virtue of their simplicity of design and minimum number of components and wearing parts, arc valves are characterized by a high hygienic standard, low maintenance and easy dismantling even when welded in place. Thread and clamp unions are virtually no longer needed, thus eliminating hygienic risks from the very outset.

Further features of this series are the comparatively small installation dimensions and wide variety of conversion possibilities.



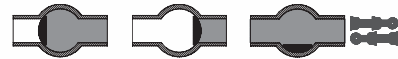
Features

- No dead pockets
- EHEDG-certified CIP/SIP capability (hygienic design)
- Totally clear passage – no pressure loss
- No product remainders or sticking of solid particles
- Designed to be passed with LIAG® lip pusher
- Minimum number of components and wearing parts
- Can be completely dismantled even when welded in place
- Optionally with 3-A 51-01 and FDA compliance

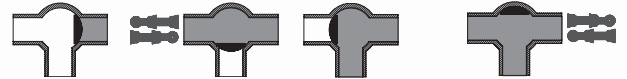


Operating positions

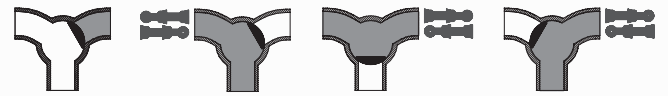
2-way arc valve



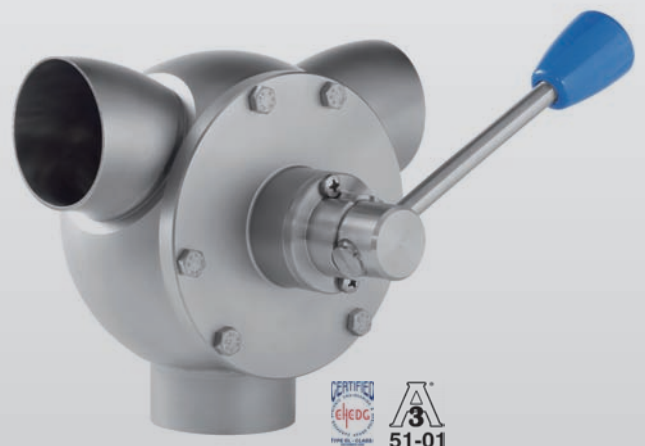
3-way arc valve



Diverter valve 90°/120°



Pusher direction | Product area



The clean decision.

Nominal sizes

DIN DN25 – DN 150 / SMS DN25 – DN102 / Inch 1" – 6"

Materials

Inox parts in contact

with product: AISI 316L (1.4404 / 1.4435)

Other inox parts: AISI 304 (1.4301)

O-ring seals: EPDM, FPM (Viton®), FEP,
other grades upon request

Shutter: Dyneon™ TFM1600

Surfaces

In contact with product: Ra ≤ 0,8 µm (Ra ≤ 32 µin)

Temperature

Operating temperature: 110°C (230°F)

Short-term: 140°C (284°F)
– optionally up to 200°C (392°F)

Operating pressure

Pressure behind arc: 10 bar (145 psi)
– optionally up to 20 bar (290.1 psi)

Pressure against arc: 3 bar (43.5 psi)

Valve connection

Welded ends: DIN, SMS, Inch

Male ends: DIN 11851, SMS 1145

Clamp connection: Tri-Clamp

Further options

- Shutter material; alternatively glass-fiber reinforced Teflon (GL25), Tecapeek®, Techtron®
- Heated version
- Leakage control of moving O-ring seal / steam barrier with ball-bearing supported selector shaft
- Combination of different types of connection
- Delivery and adaptation to actuators of different manufacture per Namur NE14 and DIN EN ISO5211
- 3-A 51-01 and FDA compliance



LIAG® – LAEUFER International AG – Dr. Zimmermann-Str. 18/1 – 88709 Meersburg / Germany

T +49 7532 4326 0 – F +49 7532 4326 53 – info@laeuer-ag.de – www.laeuer-ag.de