

Bolondi Cleaning Heads

Testine di lavaggio ad alta a bassa pressione
Cleaning heads at high and low pressure

CATALOGO 2012

CATALOGUE 2012



rOtojet

L'evoluzione di un passato tecnologico

Evolution of a technological history

rOtojet® All rights reserved

INDICE

SERIE FV / FV SERIES.....	Pag.3
SERIE MS / MS SERIES.....	Pag.7
SERIE MW / MW SERIES.....	Pag.10
SERIE PW / PW SERIES.....	Pag.18
SERIE RT / RT SERIES.....	Pag.34
SERIE RW / RW SERIES.....	Pag.40
SERIE SW / SW SERIES.....	Pag.51
SERIE XB / XB SERIES.....	Pag.68
SERIE XC / XC SERIES.....	Pa.g.87

SERIE FV

FV SERIES

TESTINE AUTOROTANTI
LAVAGGIO VOLUMETRICO

SELFSPINNING HEADS
VOLUMETRIC WASHING

TESTINE DI LAVAGGIO

Disponibili in due versioni: FV020 (Lenta) e FV025 (Veloce)

CLEANING HEADS

Available in two versions: FV020 (Slow) and FV025 (Speed)



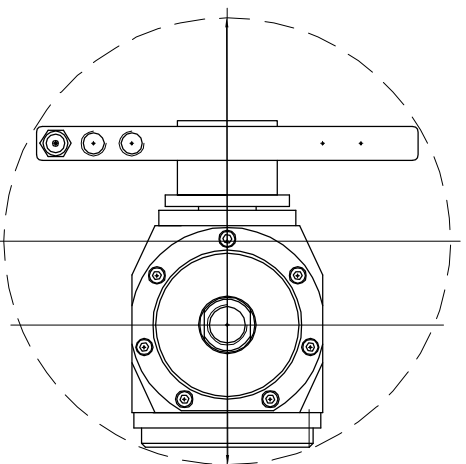
AQUAMOTOR

È un sistema di movimento autorotante per testine di lavaggio la cui velocità di rotazione dipende dai seguenti fattori: portata, posizione degli ugelli, viscosità dell'olio.

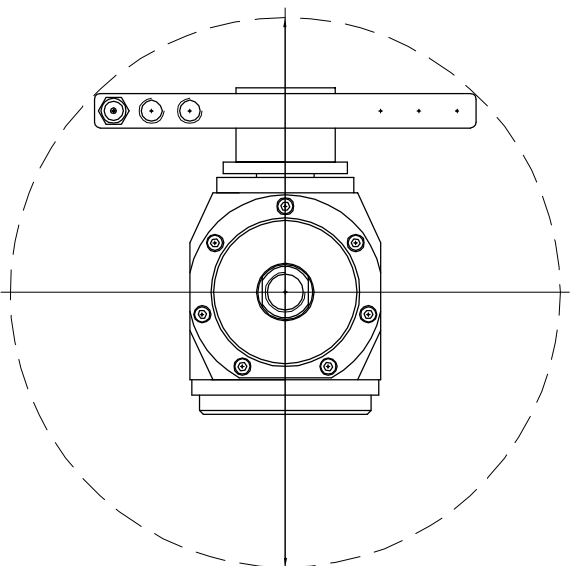
It's a selfspinning device for cleaning heads with spinning speed depending on: water flow, nozzle position, oil viscosity.



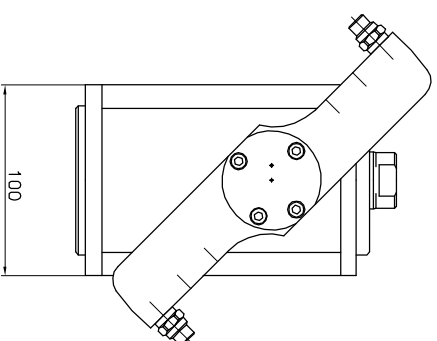
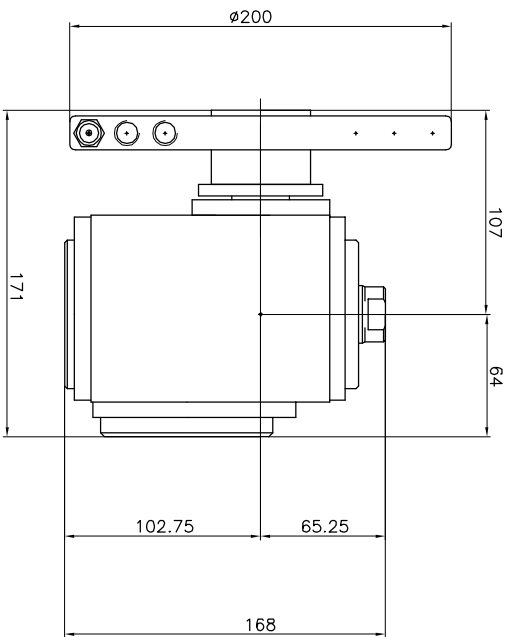
rOtojet



FORO DI PASSAGGIO MINIMO MANUALE $\varnothing 234$
MIN. MANUAL THROUGH HOLE $\varnothing 234$



FORO DI PASSAGGIO MINIMO IN ASSE $\varnothing 288$
MIN. CENTER LINE THROUGH HOLE $\varnothing 288$



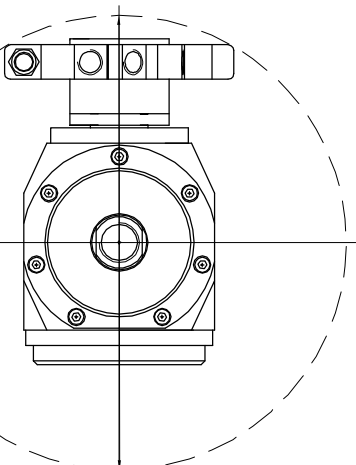
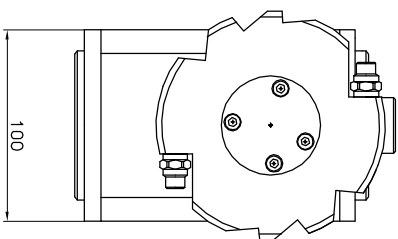
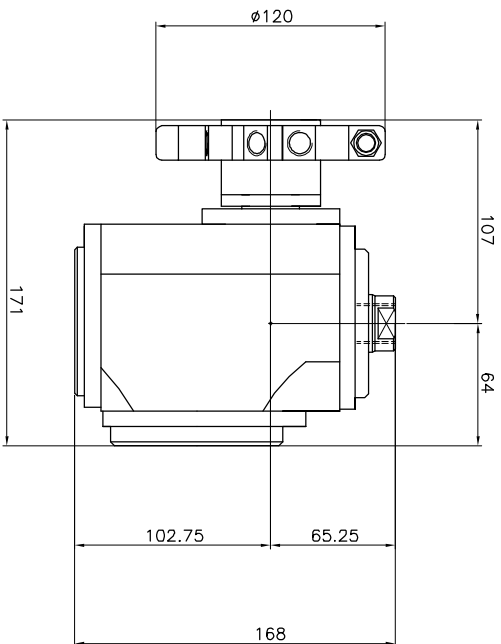
TECHNICAL DATA - 400 BAR VERSION	
OPERATING FLOW RANGE	8 - 60 L/min
OPERATING PRESSURE RANGE	8 - 400 bar
MAX OPERATING TEMPERATURE	90 °C
WASHING CYCLE TIME	2'-12"
WATER INLET	1/2" G
NOZZLES POSITIONS	2 - 4
NOZZLES THREAD	1/4"NPT
O-RING	NBR - EPDM
LUBRICANT	SILICON OIL VISCOSITY 20-100-350-500
INOX AISI 316	WEIGHT 10.5KG
ALUMINIUM	WEIGHT 5.5KG

TECHNICAL DATA - 200 BAR VERSION	
OPERATING FLOW RANGE	8 - 200 L/min
OPERATING PRESSURE RANGE	8 - 200 bar
MAX OPERATING TEMPERATURE	90 °C
WASHING CYCLE TIME	2'-12"
WATER INLET	1/2" G
NOZZLES POSITIONS	2 - 4
NOZZLES THREAD	1/4"NPT
O-RING	NBR - EPDM
LUBRICANT	SILICON OIL VISCOSITY 20-100-350-500
INOX AISI 316	WEIGHT 10.5KG
ALUMINIUM	WEIGHT 5.5KG

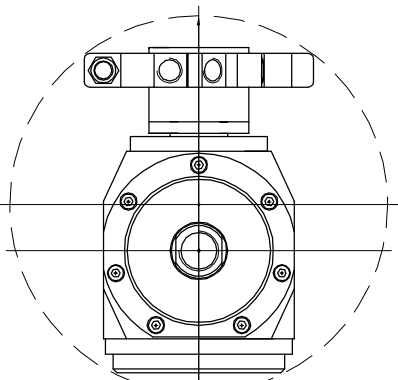
RUGOSITA' (UNI 4600)	MODIFICA	1	2	3	4	5
	FOGLIO	XXXX				
GREZZO	DATA	XX.XX.XX				
	TOLLERANZE GENERALI classe m UNI-EN 22768/1	0-6	6-30	30-120	120-400	400-1000
SGROSS.	±0.1	±0.2	±0.3	±0.5	±0.8	±1.2
	NOTE: VERSIONE 09					
FINITURA	MATERIALE:					
RETTIFICA	DESCRIZIONE: FV020 DISEGNO DI APPLICAZIONE					
	FV020 APPLICATION DRAWING					
	CODICE: FV020					
	SCALA 1:2					
	A3					
	0					

Botonoff
CLEANING HEADS
MONTECCHIO E. (RE) - ITALY

DISIGN.: CR1 CONTR.: DM
DATA: 08.09.09 MOD.



FORO DI PASSAGGIO MINIMO IN ASSE \varnothing 238
MIN. CENTER LINE THROUGH HOLE \varnothing 238



FORO DI PASSAGGIO MINIMO MANUALE \varnothing 198
MIN. MANUAL THROUGH HOLE \varnothing 198

TECHNICAL DATA - 200 BAR VERSION

OPERATING FLOW RANGE	8 - 200 L/min
OPERATING PRESSURE RANGE	8 - 200 bar
MAX OPERATING TEMPERATURE	90 °C
WASHING CYCLE TIME	2'-12'
WATER INLET	1/2" G
NOZZLES POSITIONS	2 - 4
NOZZLES THREAD	1/4"NPT
O-RING	NBR - EPDM
LUBRICANT	SILICON OIL VISCOSITY 20-100-350-5000
MATERIAL	
INOX AISI 316	WEIGHT 10.5KG
ALUMINIUM	WEIGHT 5.5KG

TECHNICAL DATA - 400 BAR VERSION

OPERATING FLOW RANGE	8 - 60 L/min
OPERATING PRESSURE RANGE	8 - 400 bar
MAX OPERATING TEMPERATURE	90 °C
WASHING CYCLE TIME	2'-12'
WATER INLET	1/2" G
NOZZLES POSITIONS	2 - 4
NOZZLES THREAD	1/4"NPT
O-RING	NBR - EPDM
LUBRICANT	SILICON OIL VISCOSITY 20-100-350-5000
MATERIAL	
INOX AISI 316	WEIGHT 10.5KG
ALUMINIUM	WEIGHT 5.5KG

RUGOSITA' (UNI 4600)	MODIFICA	1	2	3	4	5
	FOGLIO	XXXX				
GREZZO	DATA	XX.XX.XX				
	TOLLERANZE GENERALI classe m UNI-EN 22768/1	0÷6	6÷30	30÷120	120÷400	400÷1000
SGROSS.	±0.1	±0.2	±0.3	±0.5	±0.8	±1.2
	NOTE:	VERSIONE 09				
FINITURA	MATERIALE:					
RETTIFICA	DESCRIZIONE: FV020 DISEGNO DI APPLICAZIONE					
	FV020 APPLICATION DRAWING					
	CODICE: FV020					
	SCALA 1:2					
	A3					
	0					

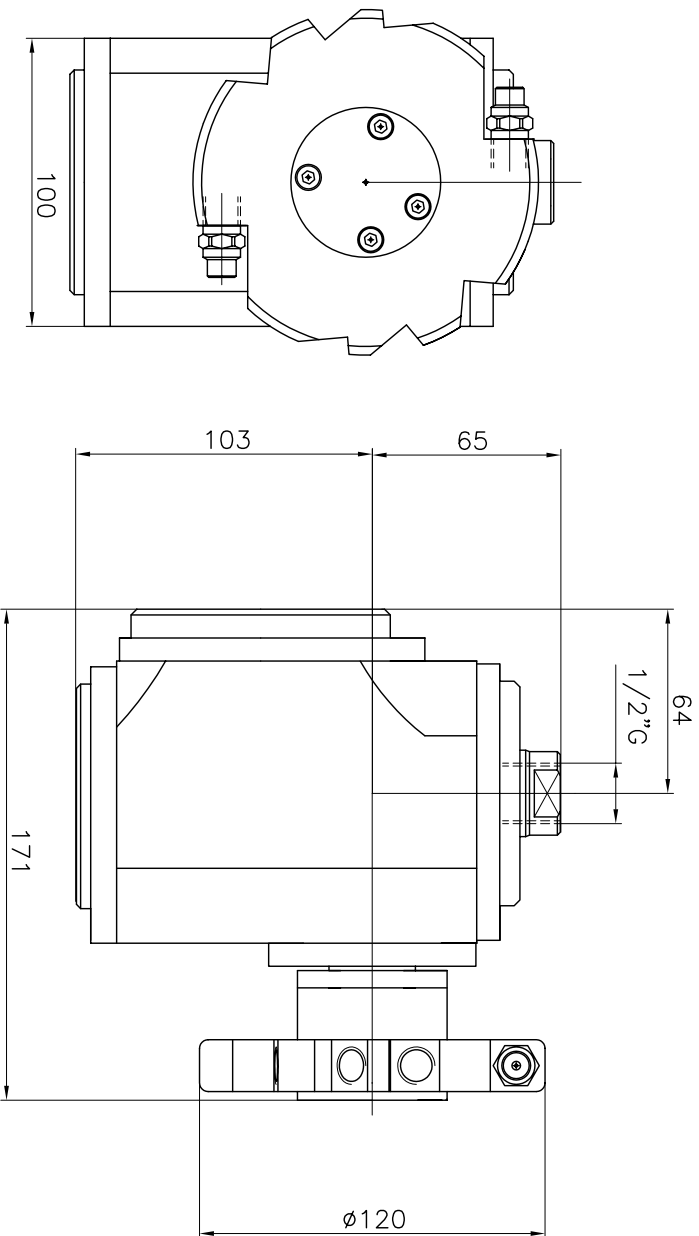


CLEANING HEADS

MONTECCHIO E. (RE) - ITALY

DESIGN.: CR1 CONTR.: DM

DATA: 08.09.09 MOD.

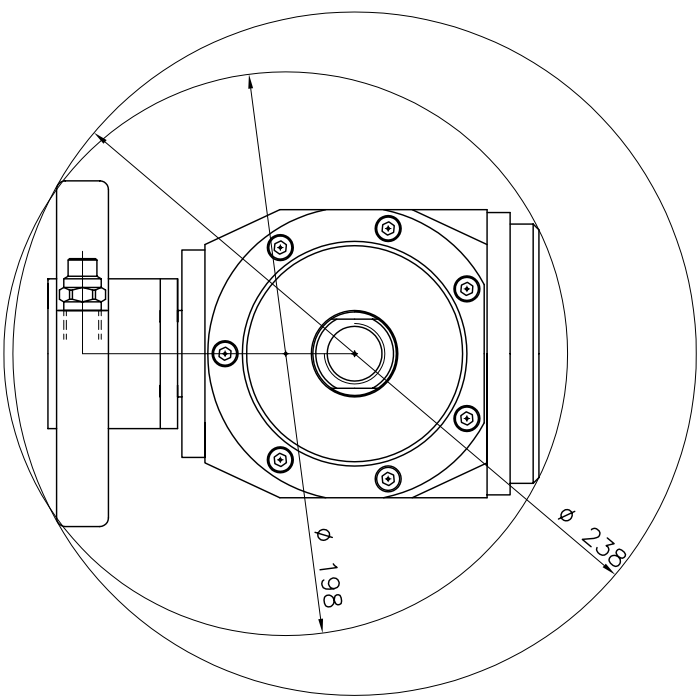


FORO PASSAGGIO MIN. IN ASSE
MIN CENTER LINE THROUGH HOLE
FORO DI PASSAGGIO MIN MANUALE
MIN MANUAL THROUGH HOLE

φ 238MM
φ 198MM

TECHNICAL DATA - 200 BAR VERSION	
PORTATA FLOW	8 - 200 L/MIN
PRESSIONE PRESSURE	8 - 200 BAR
TEMPO DI CICLO WASHING CYCLE TIME	10" - 30"
INGRESSO ACQUA WATER INLET	1/2" G
NUMERO UGELLI NOZZLE POSITION	2 / 4
FILETTO UGELLI NOZZLE THREAD	1/4" NPT
TENUTE SEALS	NBR - EPDM
OLIO LUBRICANT	SILICON OIL VISCOSITY 10-100-350-5000
TEMPERATURA TEMPERATURE	MAX 90° C
MATERIALE / MATERIAL	
ASI 316	WEIGHT 10,5 KG
ALLUMINIO ALUMINIUM	WEIGHT 5,5 KG

TECHNICAL DATA - 400 BAR VERSION	
PORTATA FLOW	8 - 60 L/MIN
PRESSIONE PRESSURE	8 - 400 BAR
TEMPO DI CICLO WASHING CYCLE TIME	10" - 30"
INGRESSO ACQUA WATER INLET	1/2" G
NUMERO UGELLI NOZZLE POSITION	2 / 4
FILETTO UGELLI NOZZLE THREAD	1/4" NPT
TENUTE SEALS	NBR - EPDM
OLIO LUBRICANT	SILICON OIL VISCOSITY 10-100-350-5000
TEMPERATURA TEMPERATURE	MAX 90° C
MATERIALE / MATERIAL	
ASI 316	WEIGHT 10,5 KG
ALLUMINIO ALUMINIUM	WEIGHT 5,5 KG



RUGOSITA' (UNI 4600)	MODIFICA	1	2	3	4	5	<p>CLEANING HEADS MONTECCHIO E. (RE) - ITALY DISEGN.: GR ICONTR.: DM DATA: 08.09.09 MOD.</p>
GREZZO	FOGLIO	XXXX					
~ = φ	DATA	XX.XX.XX					
SGROSS. 3.2/	TOLLERANZE GENERALI	classse m UNI-EN 22768/1					
∇ = ∇	±0.1	±0.2	±0.3	±0.5	±0.8	±1.2	
FINITURA 1,6/	NOTE:	VERSIONE 09					
∇∇ = 1,6/	MATERIALE:						
RETTIFICA 0,8/	DESCRIZIONE: FV025	DISEGNO DI APPLICAZIONE					
∇∇∇ = ∇	FV025	APPLICATION DRAWING					
	CODICE:	FV025					
	SCALA	1:2 A3 0					

SERIE MS

MS SERIES

TESTINE AUTOROTANTI
LAVAGGIO SETTORIALE

SELFSPINNING HEADS
SECTOR WASHING

TESTINE DI LAVAGGIO RINFORZATE

Con satelliti, perni e cuscinetti rinforzati per una maggiore resistenza all'usura

REINFORCED CLEANING HEADS

With reinforced side pinions, pins and bearing for improved wear resistance



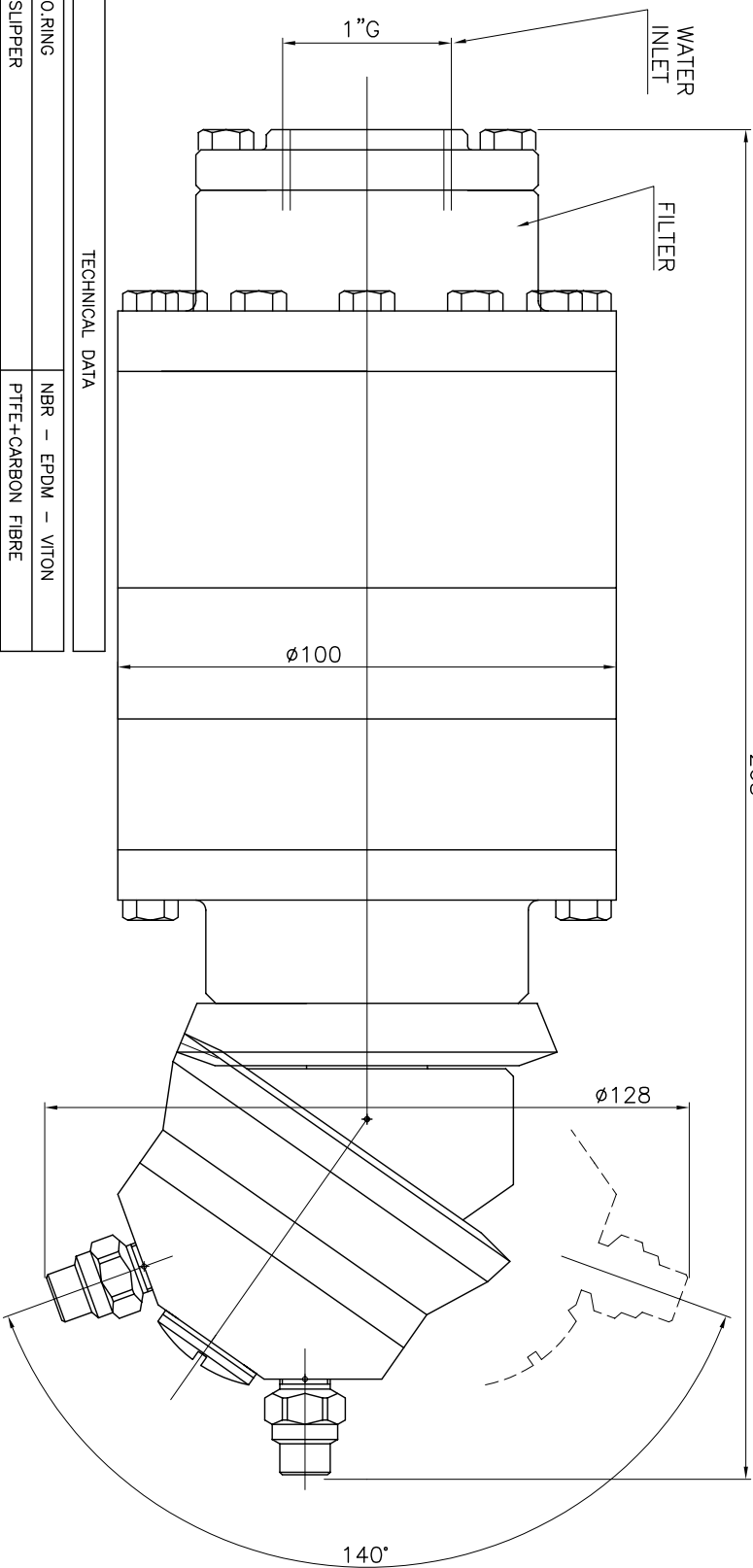
AQUAMOTOR

È un sistema di movimento auto rotante per testine di lavaggio la cui velocità di rotazione dipende dalla sola portata, ed è esente da lubrificanti.

It's a selfspinning device for cleaning heads with spinning speed depending only on water flow, it's operating without any lubricant.



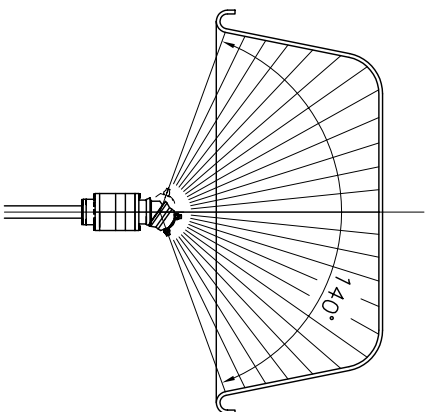
rOtojet




TECHNICAL DATA

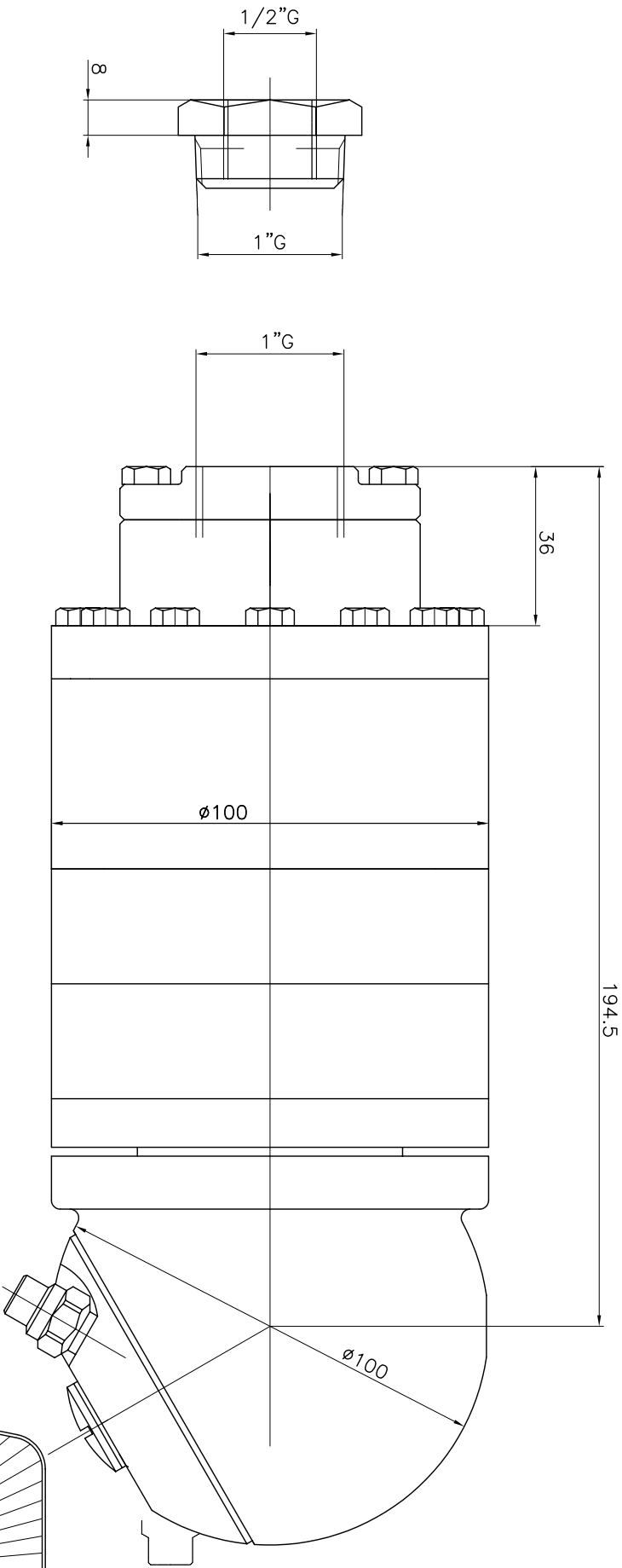
O.RING	NBR - EPDM - VITON
SLIPPER	PTFE+CARBON FIBRE
BUSHING	AISI 316
FILTER	700 MICRON
NOZZLES POSITIONS	2 - 4
NOZZLES THREAD	1/8" NPT
TESTING NOZZLES	0 x 0000
OPERATING FLOW RANGE	15 - 60 L/min
TESTING FLOW	00 L/min
OPERATING PRESSURE RANGE	5 - 200 bar
TESTING PRESSURE	000 bar
CENTER LINE MIN PASS THROUGH HOLE	128 mm
MANUAL MIN PASS THROUGH HOLE	100 mm
MAX OPERATING TEMPERATURE	90 °C
MATERIAL	INOX AISI 316
CONICAL GEARS	FIXED Z=37 ROTATING Z=39
MODULE	2
DIFFUSER SPEED SETTING POSITIONS	4
TESTING DIFFUSER POSITION	X
ROTATION SPEED	SEE CHART
FULL CYCLE	39 ROTATIONS
FULL CYCLE TIME	26 sec. AT 90 RPM
WEIGHT	9.6 KG

FLOW L/MIN		DIFFUSER POSITION			
		1	2	3	4
	15	78	36	42	
	30		90	42	
	45			72	42
	60			96	60
		SPINNING SPEED RPM			



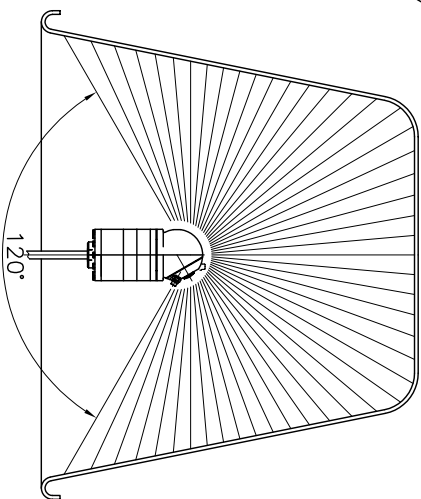
file: MS 060WKC cm 1


RUGOSITA' (UNI 4600)	MODIFICA	1	2	3	4	5
FOGLIO	XXXX					
GREZZO	DATA	XX.XX.XX				
~ = √	TOLLERANZE GENERALI classe m UNI-EN 22768/1					
SGROSS. 3.2/	0+6	6+30	30+120	120+400	400+1000	1000+2000
∇ = 3.2/	±0.1	±0.2	±0.3	±0.5	±0.8	±1.2
FINITURA 1.6/	NOTE:					
∇∇ = 1.6/	MATERIALE: AISI 304					
RETTIFICA 0.8/	DESCRIZIONE: MS060 WKC cm1 WITH FILTER					
∇∇∇ = 0.8/	FRONTAL PATTERN 140°					
 BONOMATI CLEANING HEADS MONTECCHIO E. (RE) - ITALY DISIGN.: GR ICONTR.: DM DATA: 16.02.09 MOD.: CODICE: MS 060WKC SCALA: 1:1 A3 0						



DATI TECNICI	
temperatura max	90°C
pressione max	200 bar
portata	15-60 l/min
velocità di rotazione	120 g/min
tempo ciclo breve	15"
tempo ciclo completo	30"
diametro minimo foro	100 mm
entrata	1/2"G
ugelli	1/8"G
massa	5,5 Kg

TECHNICAL DATA	
temperature max	90°C
pressure max	200 bar
flow	15-60 l/min
spinning speed	120 g/min
short washing cycle time	15"
complete washing cycle time	30"
min. pass-through hole dia.	100 mm
water inlet	1/2"G-BSP-M
nozzle size	1/8"G-BSP-M
weight	5,5 Kg



RUGOSITÀ (UNI 4600)	MODIFICA	1	2	3	4	5	 CLEANING HEADS MONTECCHIO E. (RE) - ITALY
GREZZO	FOGLIO DATA	xxxx					
SGROSS.	TOLLERANZE GENERALI classe m	UNI-EN 22768/1					
▽ = 3,2/	0+6 ±0.1	6-30 ±0.2	30-120 ±0.3	120-400 ±0.5	400-1000 ±0.8	1000-2000 ±1.2	
▽ = 1,6/	NOTE: VERSIONE 01						
FINITURA	MATERIALE:	INOX+ALLUMINIO					DISSEGNI.: GR1CONTR.: DM
RETTIFICA	DESCRIZIONE: AQUAMOTOR SECTOR	VERSIONE PORTAUGELLI INCLINATO					MOD.
▽ = 0,8/	PER LAVACASSONETTI 120°						SCALA
							1:1
							A3
							0
							CODICE:
							MS060-A_CF

SERIE MW

MW SERIES

TESTINE AUTOROTANTI
LAVAGGIO VOLUMETRICO

SELFSPINNING HEADS
VOLUMETRIC WASHING

TESTINE DI LAVAGGIO RINFORZATE

Con satelliti, perni e cuscinetti rinforzati per una maggiore resistenza all'usura

REINFORCED CLEANING HEADS

With reinforced side pinions, pins and bearing for improved wear resistance



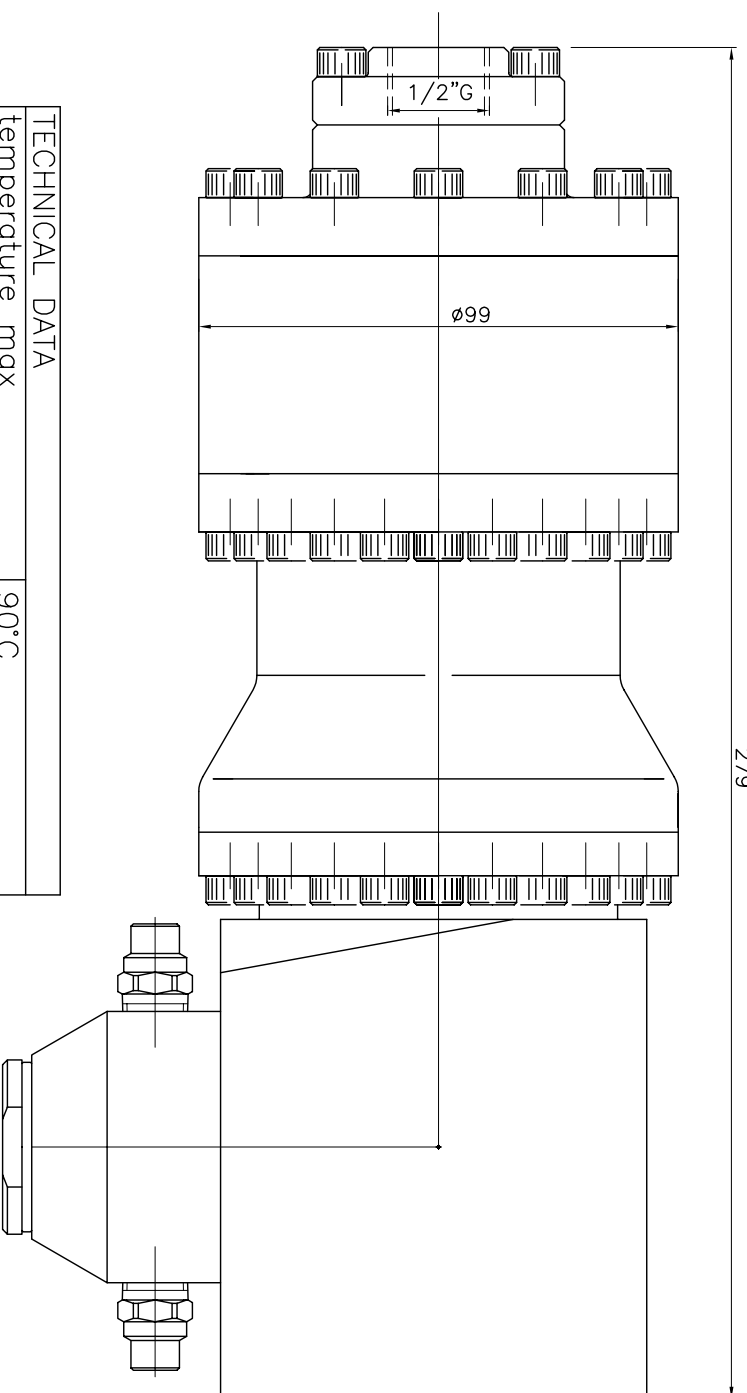
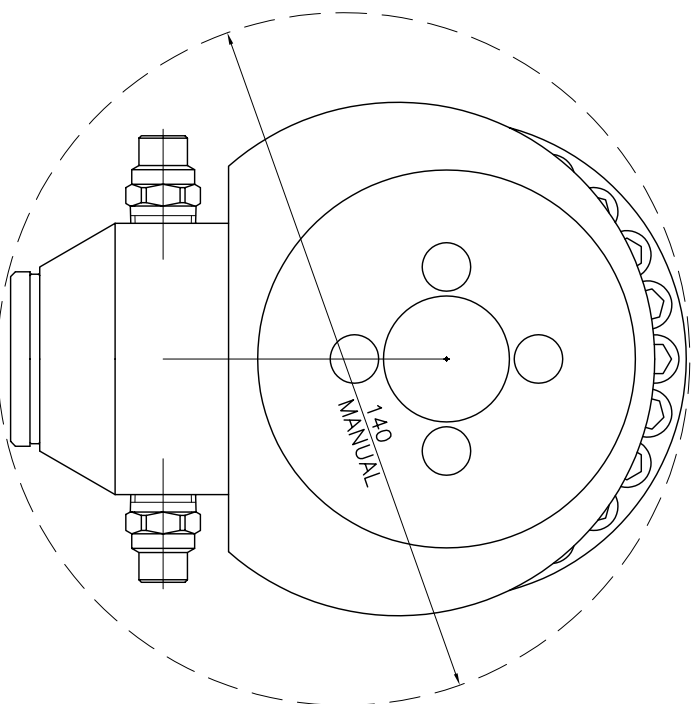
AQUAMOTOR

È un sistema di movimento auto rotante per testine di lavaggio la cui velocità di rotazione dipende dalla sola portata, ed è esente da lubrificanti.

It's a selfspinning device for cleaning heads with spinning speed depending only on water flow, it's operating without any lubricant.




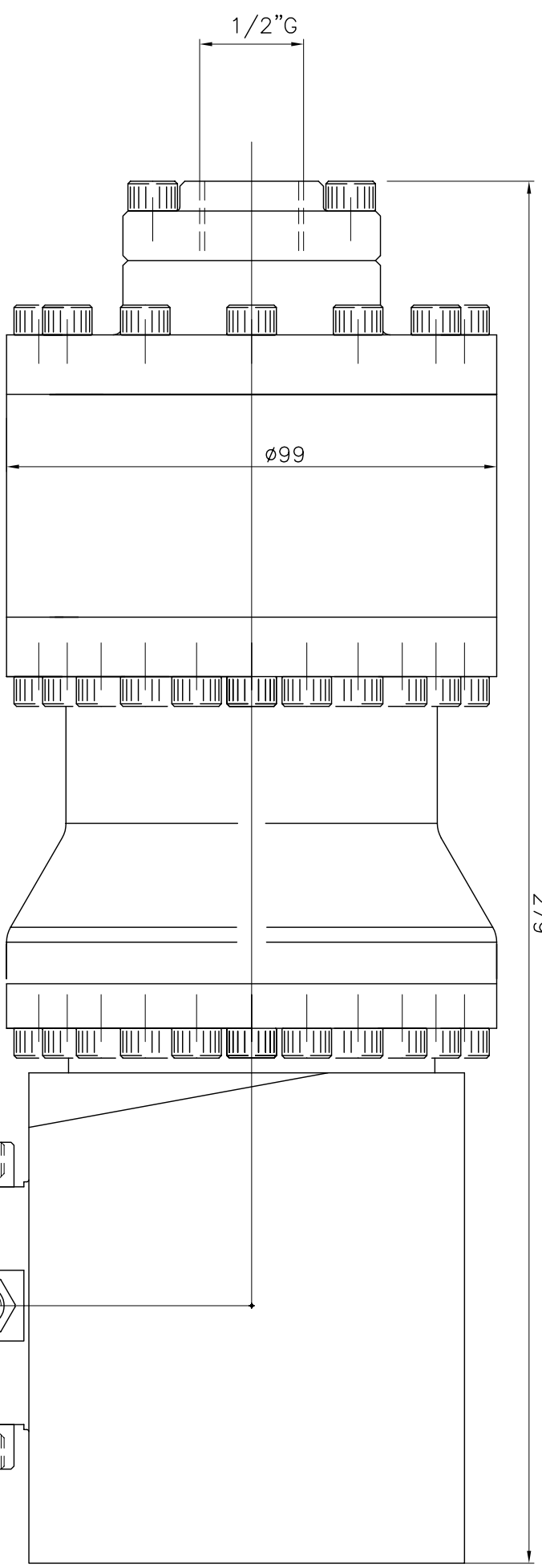
rOtojet



PORTATA FLOW L/MIN		APERTURA DIFFUSORE DIFFUSER OPENING			
60	16	3/6	3/6/9	3/6/9/12	
70		15	11		
80		18	13	11	
90			16	13	
100			18	14	
110			18	14	
120				16	
140				18	
160				20	
180				22	

TECHNICAL DATA	
temperature max	90°C
pressure max	500 bar
flow	60-180 l/min
washing cycle time	4.8 min
min. pass-through hole dia.	140 mm (manual)
water inlet	1/2" G
inlet filter	700 micron
material	INOX
seals	NBR
nozzle size	1/4" NPT
nozzles positions	2 - 4
weight	9.5 Kg

RUGOSITA' (UNI 4600)	MODIFICA	1	2	3	4	5
GREZZO	FOGLIO	XXXX				
~ = √	DATA	XX.XX.XX				
SGROSS. 3/2	TOLLERANZE GENERALI classe m UNI-EN 22768/1					
∇ = √	0±6 6±30 30±120 120±400 400±1000 1000±2000					
FINITURA 1.6/∇	±0.1 ±0.2 ±0.3 ±0.5 ±0.8 ±1.2					
RETTIFICA 0.8/∇	NOTE:					
∇∇ = ∇	MATERIALE:					
∇∇∇ = ∇	DESCRIZIONE: MW 520AA 02					
	INSTALLATION DRAWING					
	CODICE:		MW		520A	
	SCALA		1:1		A4	
	DISEGN.: CR		CONTR.: DM		MOD.:	
	DATA: 29.06.11					
	 CLEANING HEADS MONTECCHIO E. (RE) - ITALY					

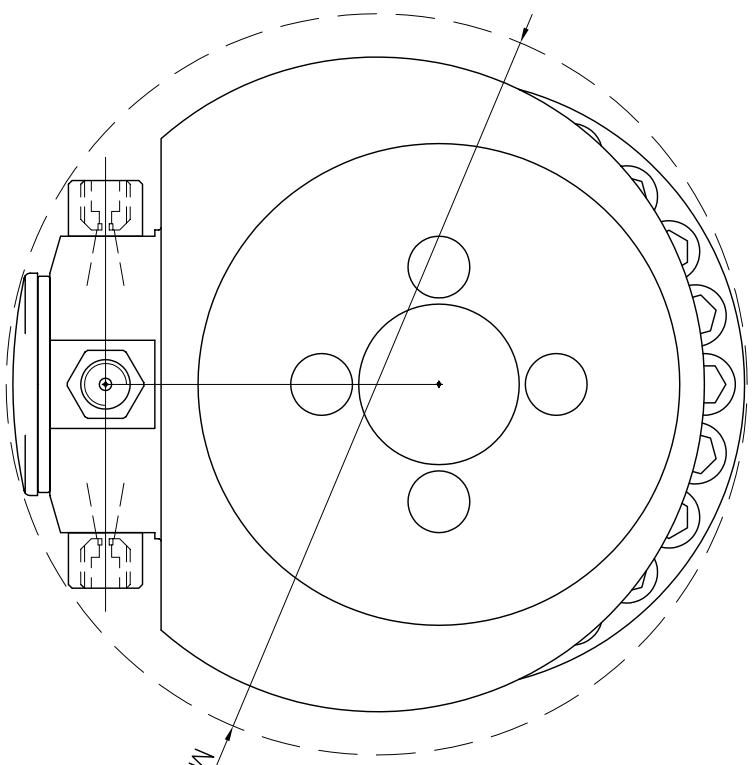


TECHNICAL DATA

temperature max	90°C
pressure max	500 bar
flow	40-100 l/min
washing cycle time	4.8 min
min. pass-through hole dia.	120 mm (manual)
water inlet	1/2" G
inlet filter	700 micron
material	INOX
seals	NBR
nozzle size	1/8" G SPACIAL
nozzles positions	2 - 4
weight	9.5 Kg

FLOW L/MIN	DIFFUSER OPENING				
	1-2	1-3	2-3	2-4	3-4
40	16	12			
50	19	15	12		
60		18	16	14	
70			19	16	12
80				19	16
90					18
100					19

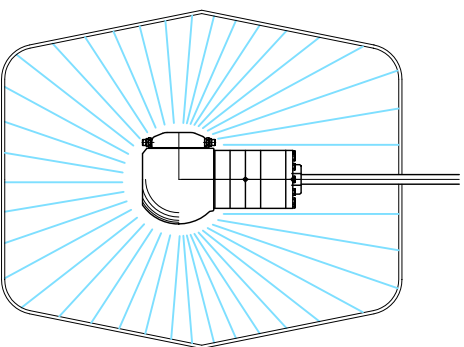
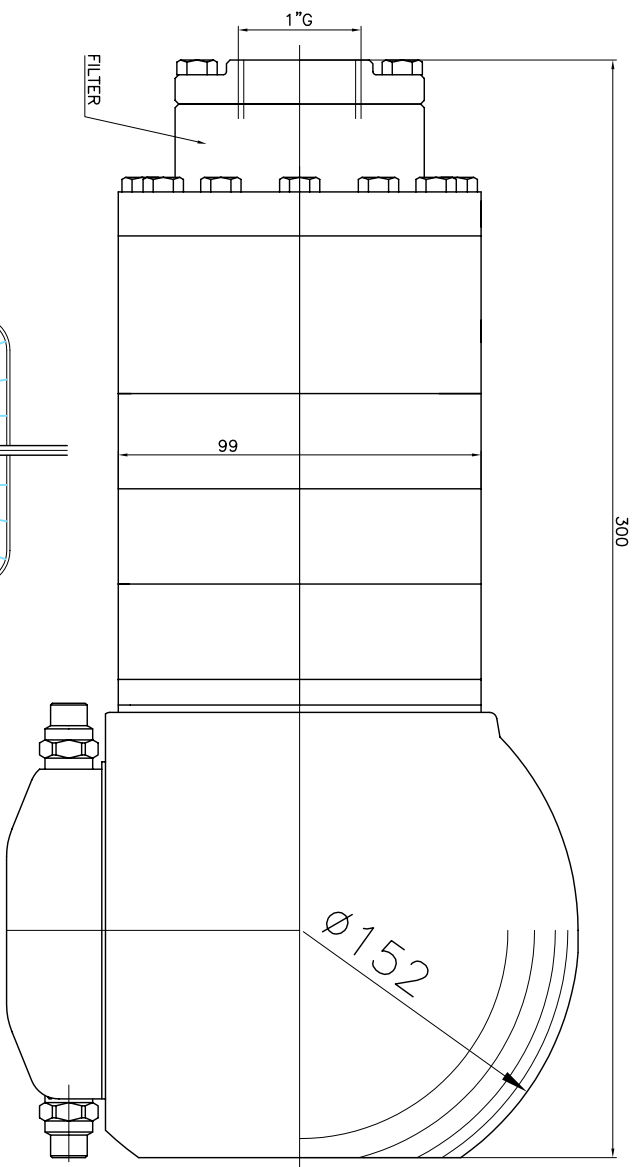
SPINNING SPEED	RPM
	19



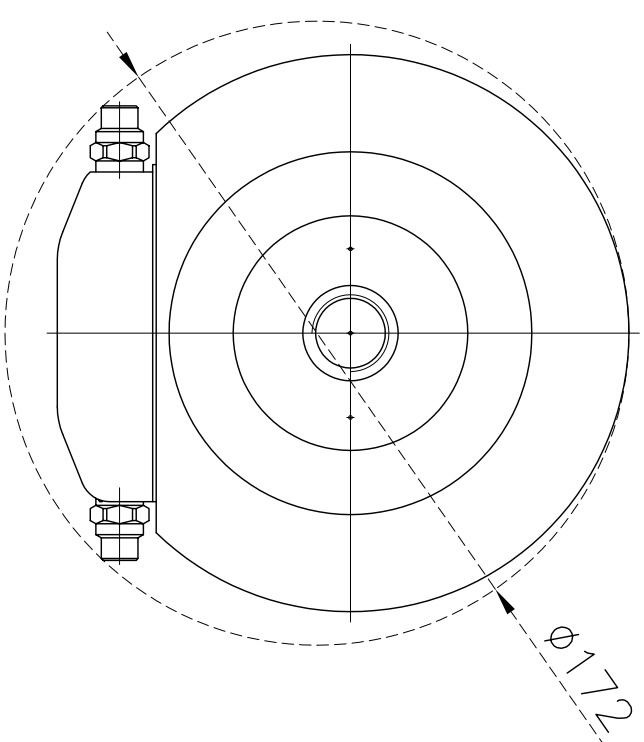
RUGOSITA' (UNI 4600)	MODIFICA	1	2	3	4	5
FOGLIO	XXXX					
GREZZO	DATA	XX.XX.XX				
TOLLERANZE GENERALI classe m UNI-EN 22768/1						
±0.6	6÷30	30÷120	120÷400	400÷1000	1000÷2000	
SGROSS. 3/2	±0.1	±0.2	±0.3	±0.5	±0.8	±1.2
NOTE:						
FINITURA 1,6/	MATERIALE:					
RETTIFICA 0,8/	DESCRIZIONE: MW 510 A					
INSTALLATION DRAWING	CODICE: MW 510 A					


DISIGN.: CR	CONTR.: DM
DATA: 11.06.10	MOD.
SCALA 1:1	A4
	O

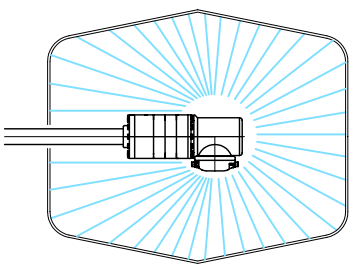
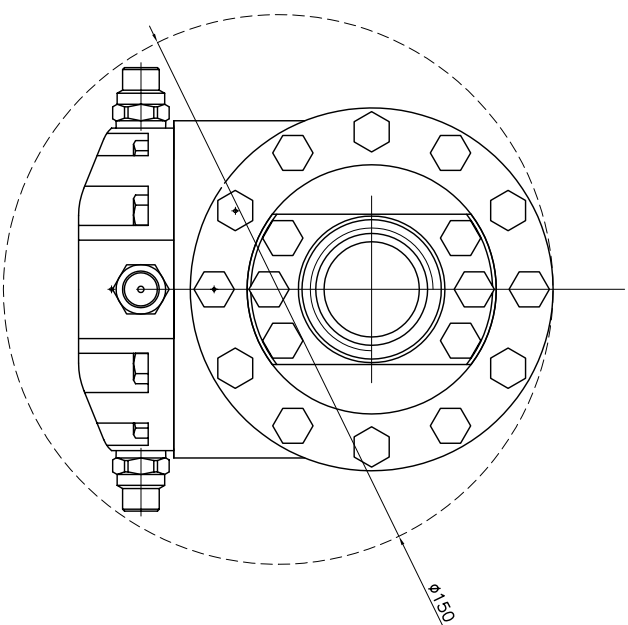
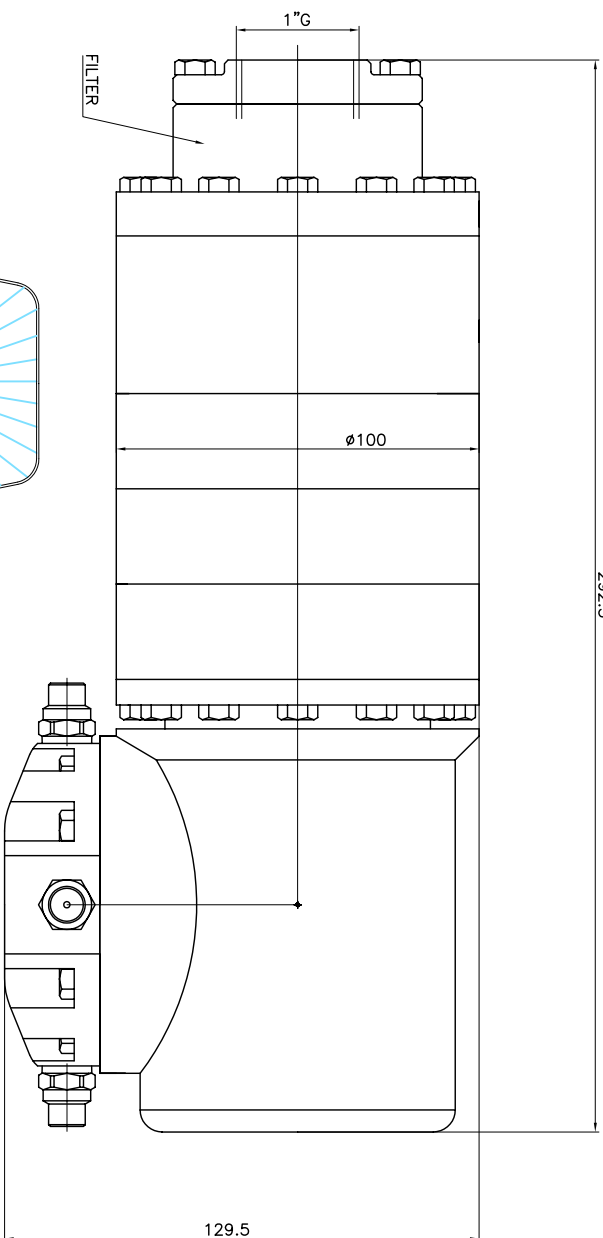
Bonomi
CLEANING HEADS
MONTECCHIO E. (RE) - ITALY




TECHNICAL DATA	
temperature max	90°C
pressure max	200 bar
flow	60-200 l/min
spinning speed	15 rpm
washing cycle time	5 min
min. pass-through hole dia.	172 mm manual
water inlet	1" G
inlet filter	700 micron
nozzle size	1/4" NPT
nozzles positions	2 - 4
weight	13 Kg

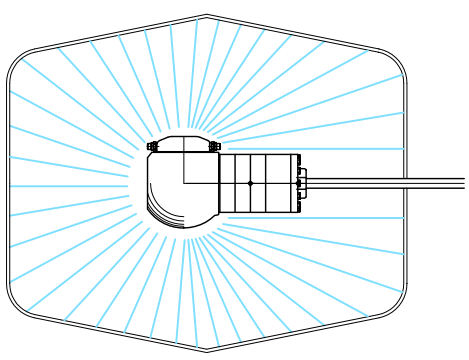
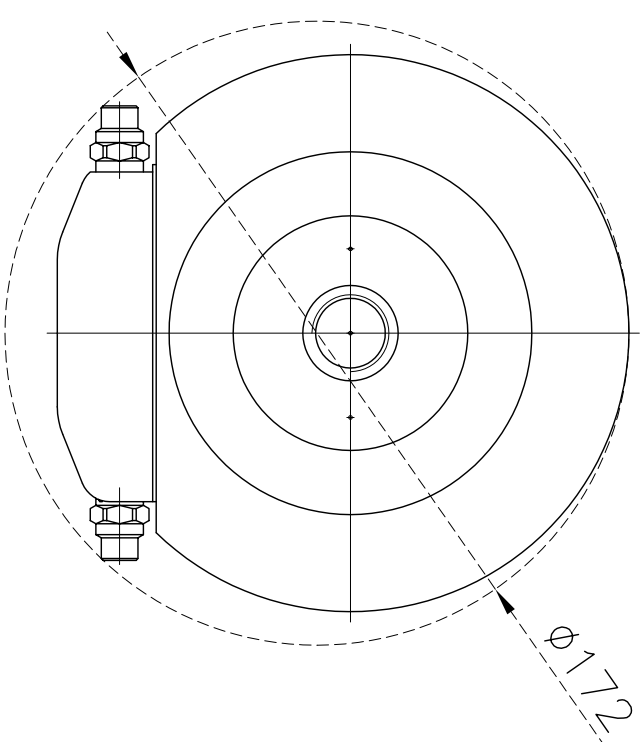
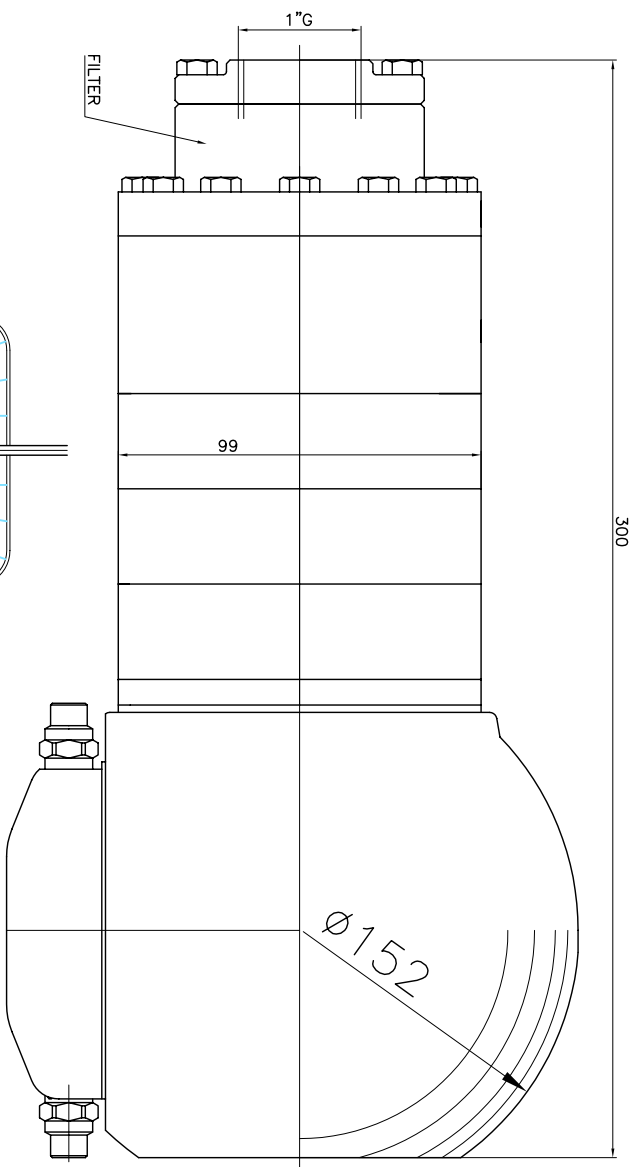


RUGOSITA' (UNI 4600)	MODIFICA 1	2	3	4	5	
GREZZO	FOGLIO XXXX					
~ = √	DATA XX.XX.XX					
SGROSS. 3.2/	TOLLERANZE GENERALI classe m UNI-EN 22768/1					
∇ = √	0-6	6-30	30-120	120-400	400-1000	1000-2000
	±0.1	±0.2	±0.3	±0.5	±0.8	±1.2
	NOTE:					
FINITURA 1.6/	MATERIALE:					
∇∇ = √	DESCRIZIONE: APPLICATION DRAWING					
RETTIFICA 0.8/	MW 200 A-TK					
∇∇∇ = √	CODICE: MW 200A-TK					
 CLEANING HEADS MONTECCHIO E. (RE) - ITALY		DISEGN.: CR		CONTR.: DM		
		DATA: 25.10.07		MOD.		
		SCALA 1:1		A3		0




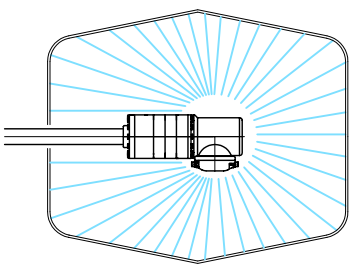
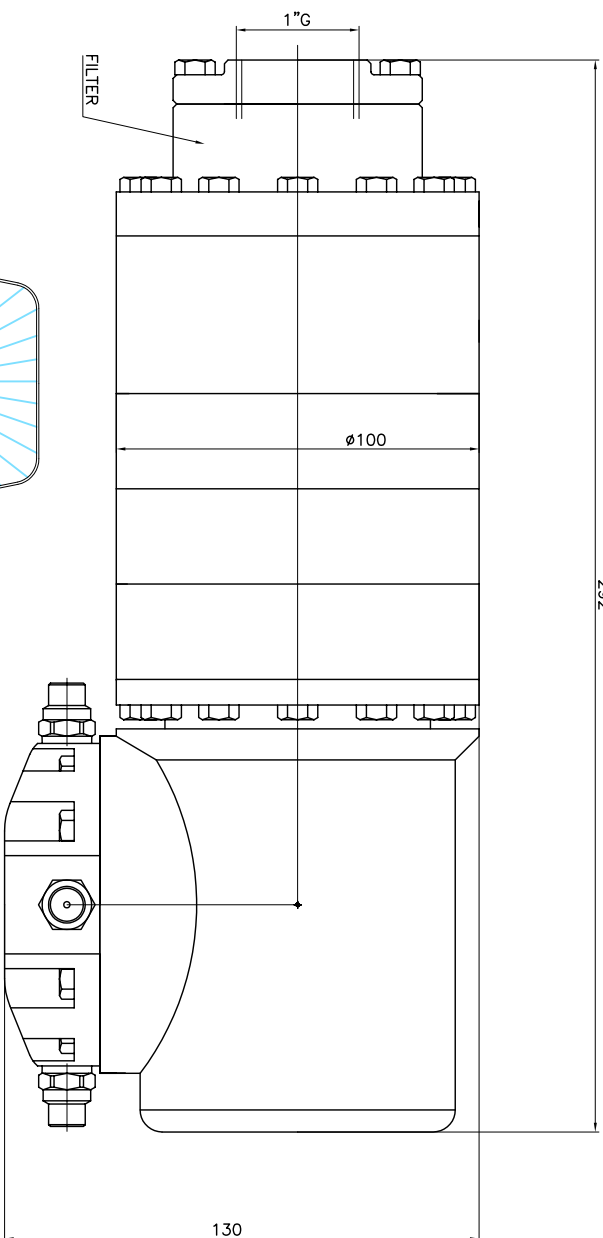
TECHNICAL DATA	
temperature max	90°C
pressure max	200 bar
flow	60-200 l/min
spinning speed	15 rpm
washing cycle time	5 min
min. pass-through hole dia.	150 mm manual
water inlet	1" G
inlet filter	700 micron
nozzle size	1/4" NPT
nozzles positions	2 - 4
weight	13 Kg

RUGOSITA' (UNI 4600)	MODIFICA	1	2	3	4	5
	FOGLIO	XXXX				
GREZZO	DATA	XX.XX.XX				
	TOLLERANZE GENERALI classe m UNI-EN 22768/1	0 ÷ 6	6 ÷ 30	30 ÷ 120	120 ÷ 400	400 ÷ 1000
SGROSS.	± 0.1	± 0.2	± 0.3	± 0.5	± 0.8	± 1.2
▽ = 3.2/	NOTE: VERS. 02					
FINITURA	MATERIALE:					
▽▽ = 1.6/	DESCRIZIONE: APPLICATION DRAWING					
RETTIFICA	MW 200 A					
▽▽▽ = 0.8/	CODICE: MW 200A					
 CLEANING HEADS MONTECCHIO E. (RE) - ITALY		DISGN.:	CR	CONTR.:	DM	
		DATA:	25.10.07			
		SCALA	1:1	A3	0	
		MOD.				




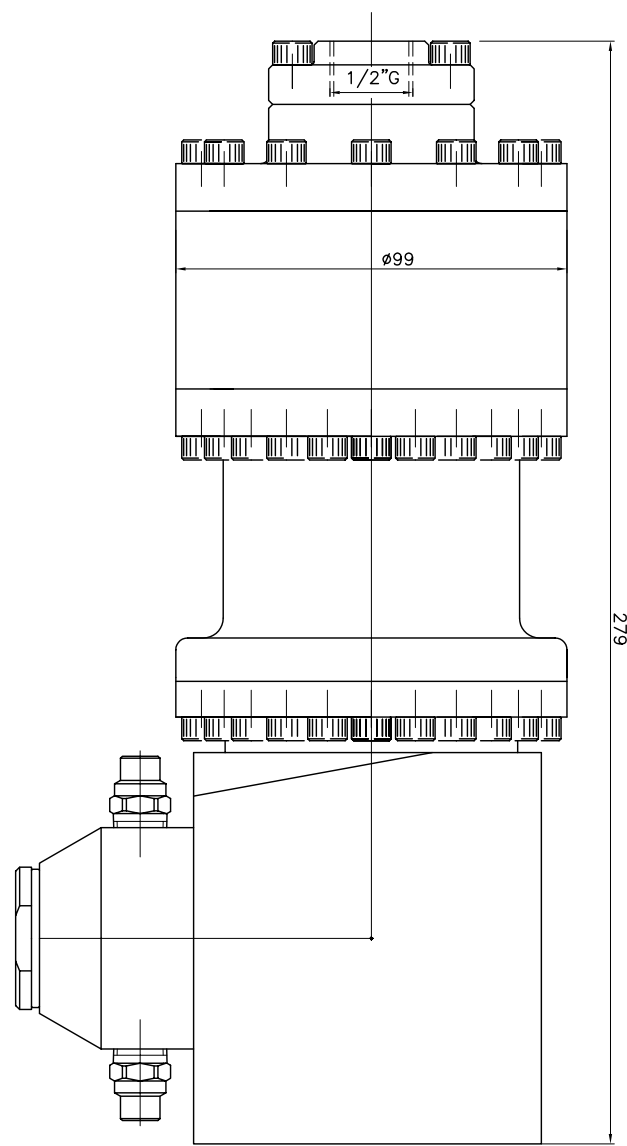
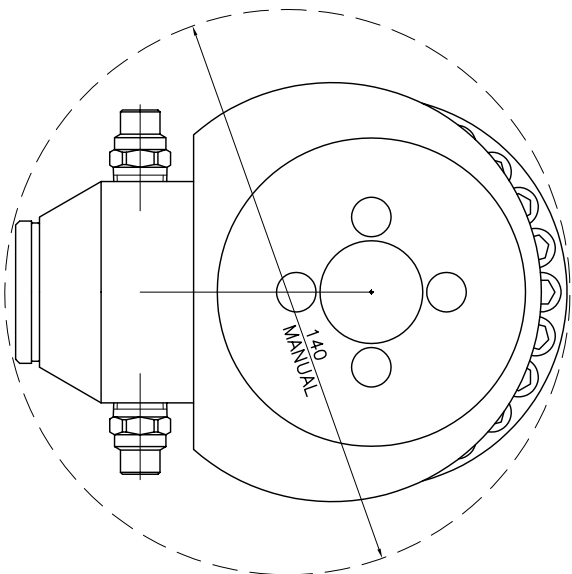
TECHNICAL DATA	
temperature max	90°C
pressure max	200 bar
flow	8-60 l/min
spinning speed	15 rpm
washing cycle time	5 min
min. pass-through hole dia.	172 mm manual
water inlet	1" G
inlet filter	700 micron
nozzle size	1/4" NPT
nozzles positions	2 - 4
weight	13 Kg

RUGOSITA' (UNI 4600)	MODIFICA	1	2	3	4	5
GREZZO	FOGLIO	XXXX				
~ = √	DATA	XX.XX.XX				
SGROSS. 3.2/	TOLLERANZE GENERALI classe m UNI-EN 22768/1					
∇ = √	0-6	6-30	30-120	120-400	400-1000	1000-2000
	±0.1	±0.2	±0.3	±0.5	±0.8	±1.2
	NOTE:					
FINITURA 1.6/	MATERIALE:					
∇∇ = √	DESCRIZIONE: APPLICATION DRAWING					
RETTIFICA 0.8/	MW 086 A-TK					
∇∇∇ = √	CODICE: MW 086A-TK					
 CLEANING HEADS MONTECCHIO E. (RE) - ITALY		DISEGN.: CR		CONTR.: DM		
		DATA: 25.10.07		MOD.		
		SCALA	1:1	A3	0	



TECHNICAL DATA	
temperature max	90°C
pressure max	200 bar
flow	8-60 l/min
spinning speed	15 rpm
washing cycle time	5 min
min. pass-through hole dia.	150 mm manual
water inlet	1" G
inlet filter	700 micron
nozzle size	1/4" NPT
nozzles positions	2 - 4
weight	13 Kg

RUGOSITA' (UNI 4600)	MODIFICA	1	2	3	4	5
GREZZO	FOGLIO	XXXX				
~ = √	DATA	XX.XX.XX				
SGROSS. ∇ = 3.2/	TOLLERANZE GENERALI classe m UNI-EN 22768/1					
∇ = √	0-6	6-30	30-120	120-400	400-1000	1000-2000
	±0.1	±0.2	±0.3	±0.5	±0.8	±1.2
	NOTE: VERS. 03					
FINITURA ∇∇ = 1.6/	MATERIALE:					
RETTIFICA ∇∇∇ = 0.8/	DESCRIZIONE: APPLICATION DRAWING					
	MW 086 A					
CODICE: MW 086A		 CLEANING HEADS MONTECCHIO E. (RE) - ITALY DISEGN.: CR CONTR.: DM DATA: 25.10.07 MOD. SCALA 1:1 A3 0				



DIFFUSER POSITION	1	2	3	4
15	13	6		
30		15	7	
45			12	7
60			16	10
SPINNING SPEED RPM				

FLOW L/MIN

TECHNICAL DATA	
temperature max	90°C
pressure max	500 bar
flow	15-60 l/min
washing cycle time	4.8 min
min. pass-through hole dia.	140 mm (manual)
water inlet	1/2" G
inlet filter	700 micron
material	INOX
seals	NBR
nozzle size	1/4" NPT
nozzles positions	2 - 4
weight	9.5 Kg

RUGOSITA' (UNI 4600)	MODIFICA	1	2	3	4	5
GREZZO	FOGLIO	XXXX				
~ = ø	DATA	XXXXXX				
SGROSS. 32/	TOLLERANZE GENERALI classe m UNI-EN 22768/1					
∇ = ∇	0±6	6±30	30±120	120±400	400±1000	1000±2000
∇∇ = ∇	±0.1	±0.2	±0.3	±0.5	±0.8	±1.2
FINITURA 16/	NOTE:					
RETTIFICA 0g/	MATERIALE:					
∇∇∇ = 0g/	DESCRIZIONE: MW 586AA.02					
	INSTALLATION DRAWING					
	CODICE: MW 586AA.02					



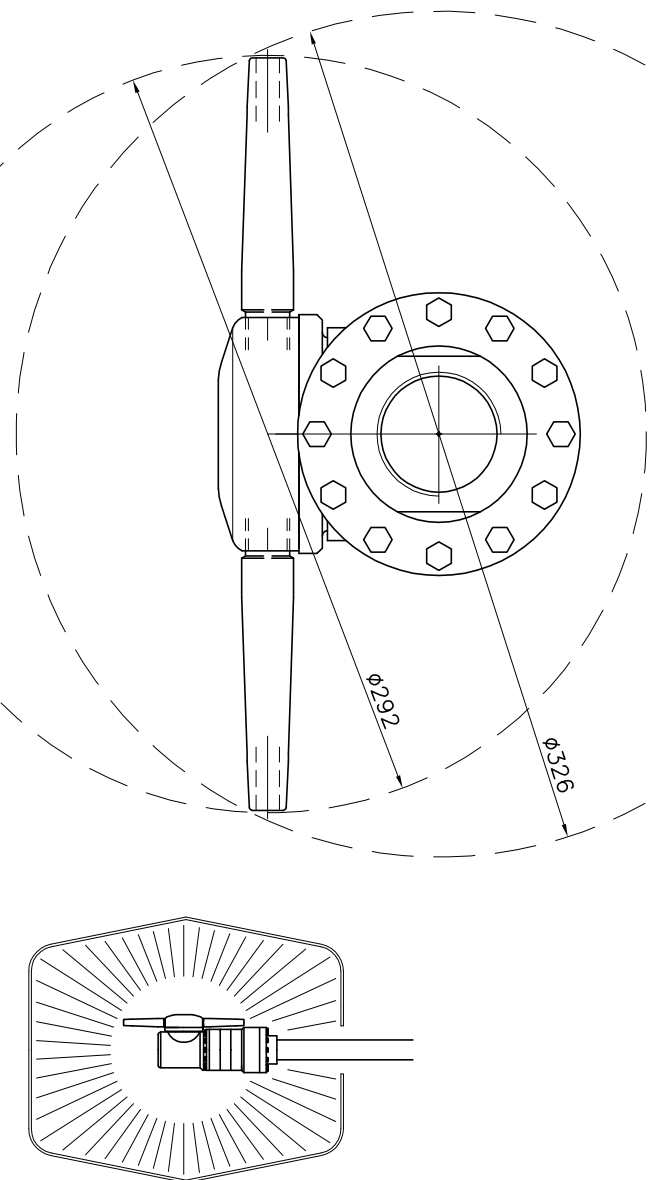
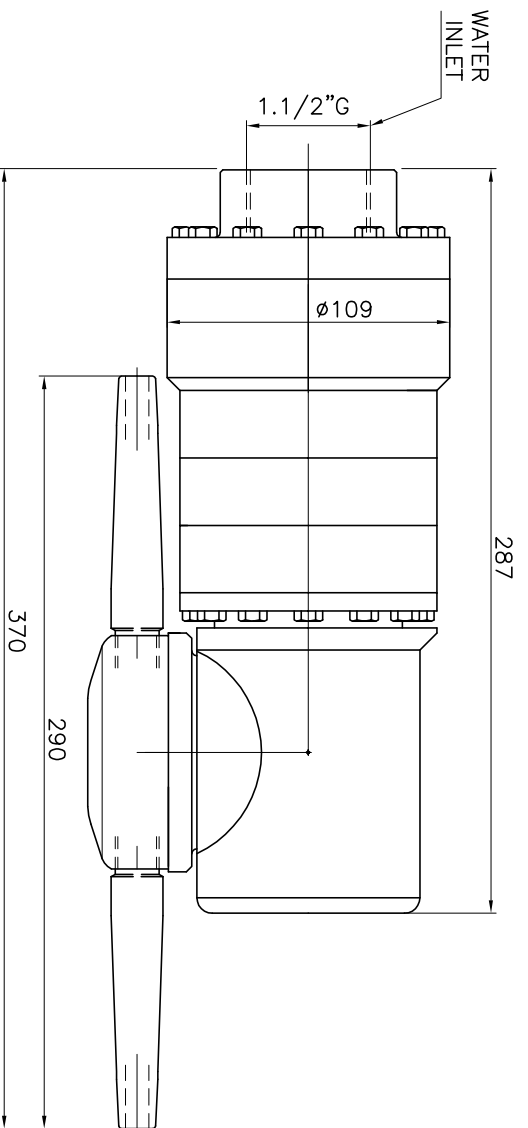
DESIGN: CR
CONTR.: DM
DATA: 16.11.06
MOD.
SCALA: 1:1
A4
O

DIFFUSER OPENING				
	3	3/6	3/6/9	3/6/9/12
100	9	6		
140	12	9	7	
180		12	8	
210		14	10	8
250			12	10
280			14	11
320				12
350				12

SPINNING SPEED RPM

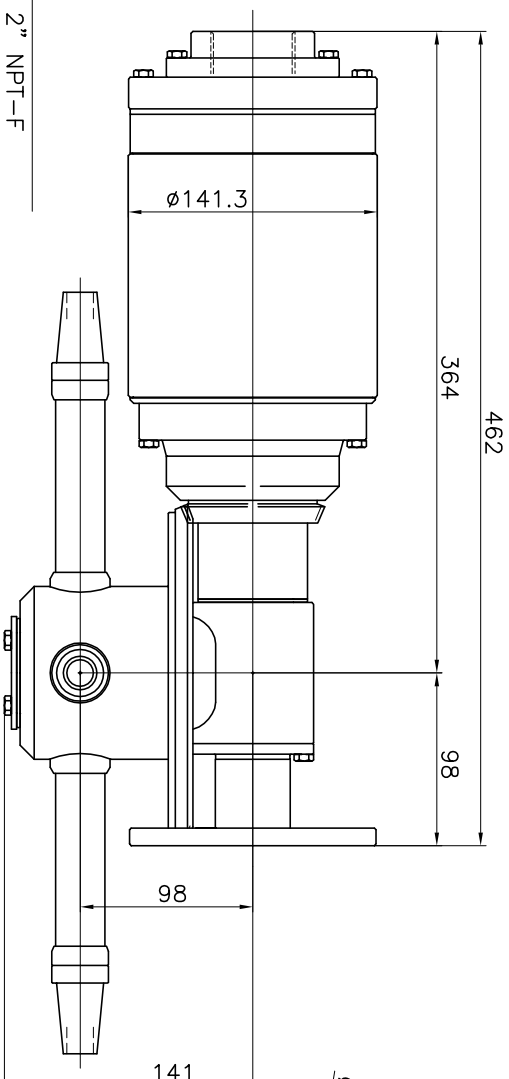
TECHNICAL DATA

O.RING	NBR - EPDM - VITON
SLIPPER	PTFE+CARBON FIBRE
BUSHING	AISI 316
NOZZLES POSITIONS	2
NOZZLES THREAD	3/8"G
NOZZLES DIA	7-7.5-8-8.5-9-10-11
TESTING NOZZLES	2 x 0000
OPERATING FLOW RANGE	100 - 350 L/min
TESTING FLOW	000 L/min
OPERATING PRESSURE RANGE	5 - 30 bar
TESTING PRESSURE	00 bar
CENTER LINE MIN PASS THROUGH HOLE	326 mm
MANUAL MIN PASS THROUGH HOLE	292 mm
MAX OPERATING TEMPERATURE	90 °C
MATERIAL	INOX AISI 316
CONICAL GEARS	FIXED Z=59 ROTATING Z=61
MODULE	1
DIFFUSER SPEED SETTING OPENINGS	4
TESTING DIFFUSER OPENING	X/X/X/X
ROTATION SPEED	SEE CHART
FULL CYCLE	61 ROTATIONS
FULL CYCLE TIME	6 min AT 10 RPM
WEIGHT	9.6 KG



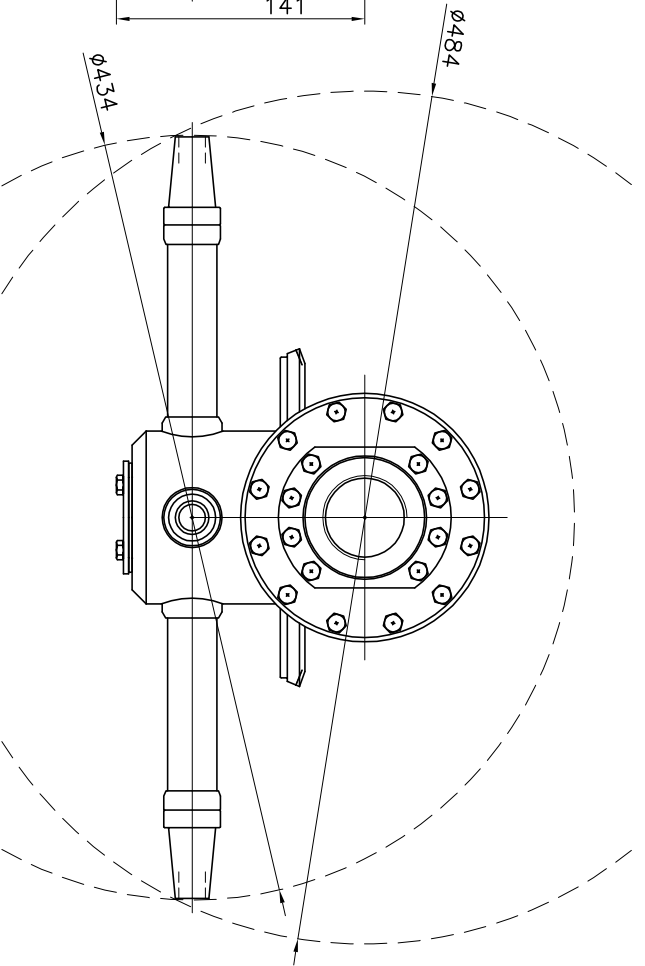
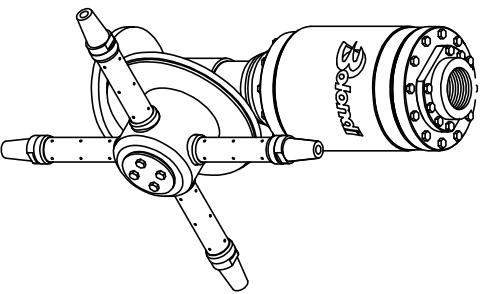
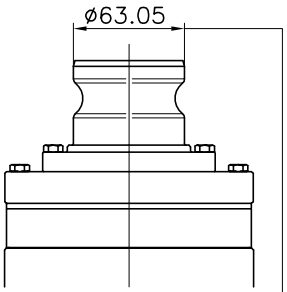
RUGOSITA' (UNI 4600)	MODIFICA	1	2	3	4	5
FOGLIO	XXXX					
GREZZO	DATA	XX.XX.XX				
TOLLERANZE GENERALI classe m UNI-EN 22768/1						
SGROSS.	0-6	6-30	30-120	120-400	400-1000	1000-2000
∇	± 0.1	± 0.2	± 0.3	± 0.5	± 0.8	± 1.2
NOTE:						
FINITURA	DESCRIZIONE:	MW 350 A APPLICATION DRAWING				
∇∇ = 1.6/						
RETTIFICA						
∇∇∇ = 0.9/						
	DESCRIZIONE:	MW 350 A APPLICATION DRAWING				
	CODICE:	MW 350 A				
	SCALE	1:3				
	DISIGN.:	CR				
	CONTR.:	DM				
	DATA:	30.11.11				
	MOD.	A3 O				





- WATER INLET THREAD OPTIONS
- 2" NPT-F
 - 2" BSPP-F
 - 1.1/2" NPT-F
 - 1.1/2" BSPP-F

WATER INLET OPTION 2" CAM-LOCK (A-A-59326B)



FLOW RANGE	100 to 600 L/min	26 to 160 USgpm
MAX PRESSURE	14 bar	200 psi
NOZZLES POSITIONS	2 - 4	
NOZZLES SIZE	7.5-11-14-15.5 mm	
MATERIAL	INOX AISI 316	
BUSHING MATERIAL	PEEK	
DRIVE	WATER TURBINE	
ROTATION SPEED	5 to 12 rpm	
FULL CYCLE TIME	8 to 19 min.	
CENTER LINE MIN PASS THROUGH HOLE	484 mm	19"
MANUAL MIN PASS THROUGH HOLE	434 mm	17"
MAX OPERATING TEMPERATURE	90°C	194°F
MAX TRACKS PITCH AT 1 m DISTANCE	30.6 mm	
MAX TRACKS PITCH AT 1 yard DISTANCE	1.1 inch	
WEIGHT	9.5 kg.	

RUGOSITA' (UNI 4600)	MODIFICA	1	2	3	4	5	
GREZZO	FOGLIO						
~ = ∅	DATA						
SGROSS. ±0.1 ±0.2 ±0.3 ±0.5 ±0.8 ±1.2	TOLLERANZE GENERALI classe m UNI-EN 22768/1	0-6	6-30	30-120	120-400	400-1000	1000-2000
∇ = 3/2	NOTE:						
FINITURA 1.6/∇	MATERIALE:						
RETTIFICA 0.9/∇	DESCRIZIONE: INSTALLATION DRAWING MW 600 A						
∇∇∇ = 0.9/∇	CODICE: MW 600 A						



DISIGN.: CR | CONTR.: DM
 DATA: 30.11.11
 MOD.:
 SCALA: 1.3 | A3 | O

SERIE PW

PW SERIES

TESTINE AUTOROTANTI
LAVAGGIO FORNTALE

SELFSPINNING HEADS
FRONT WASHING

TESTINE DI LAVAGGIO

Disponibili in diverse versioni per il lavaggio di esterni, superfici, condotti,

CLEANING HEADS

Available in differents versions for washing surfaces, pipe line and for external washing



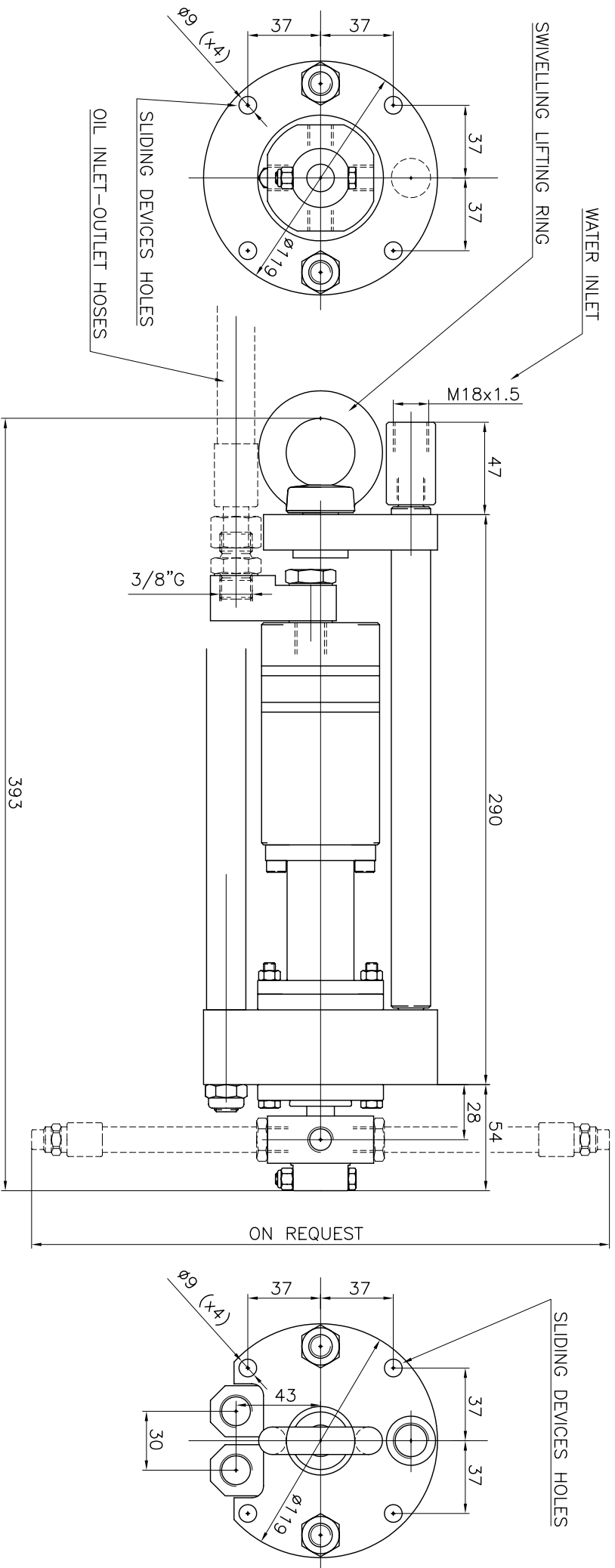
AQUAMOTOR

È un sistema di movimento auto rotante per testine di lavaggio la cui velocità di rotazione dipende dalla sola portata, ed è esente da lubrificanti.

It's a selfspinning device for cleaning heads with spinning speed depending only on water flow, it's operating without any lubricant.



rOtojet



TECHNICAL DATA

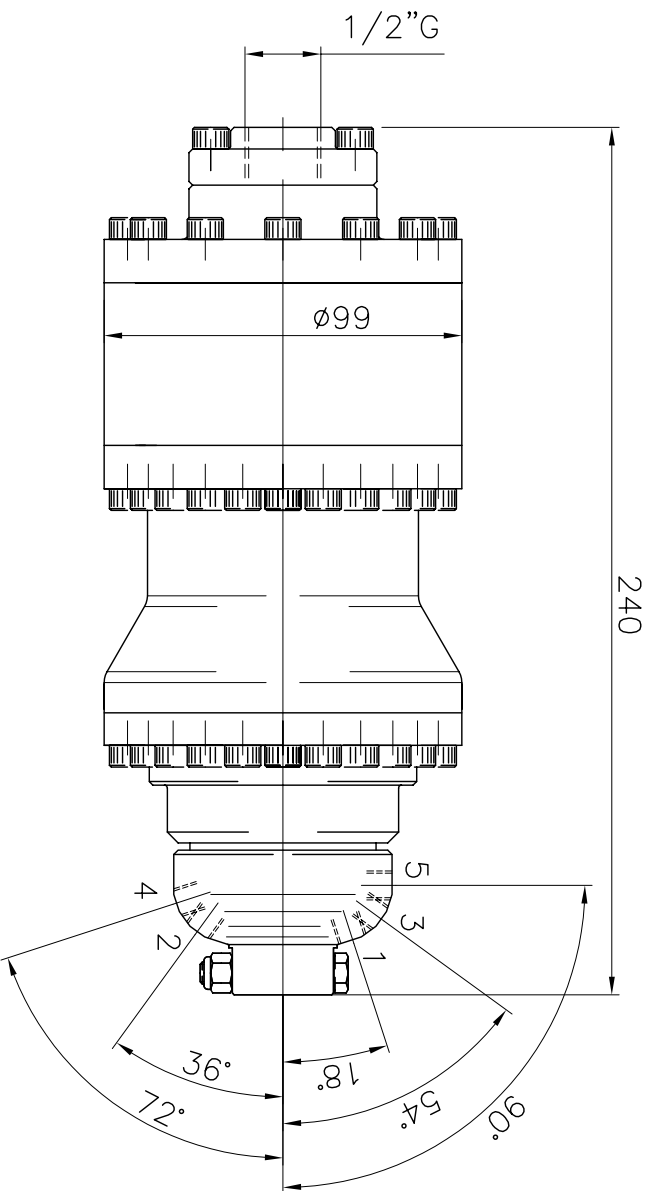
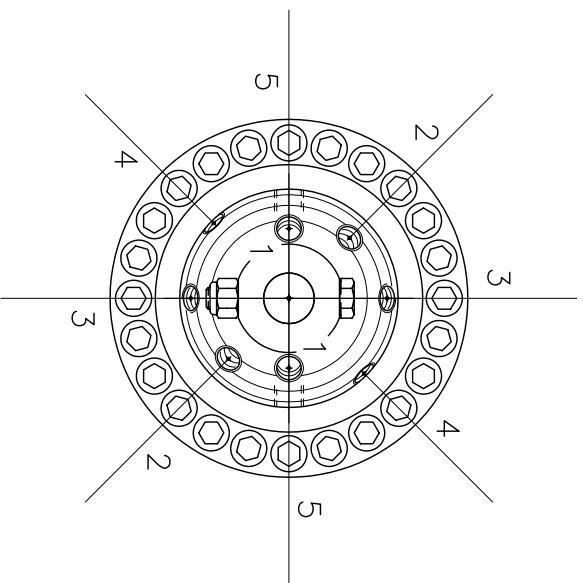
O-RING	EPDM
SLIPPER	PTFE+CARBON FIBER
BUSHING	AISI 316
NOZZLES POSITIONS	2 - 4
NOZZLES SIZE	1/4" G SPECIAL
MAX OPERATING FLOW	60 L/MIN.
MAX OPERATING PRESSURE	500 BAR
MIN PASS THROUGH HOLE	120 mm
MAX TEMPERATURE	90 °C
MATERIAL	INOX AISI 316
HYDRAULIC MOTOR	DANFOSS OMM32 (BA0401)
HYDRAULIC OIL FLOW	3.5 L/MIN.
ROTATION SPEED	100 RPM
WEIGHT	11.9 KG

RUGOSITÀ (UNI 4600)	MODIFICA	1	2	3	4	5
GREZZO	FOGLIO	XXXX				
SGROSS. 3/2	DATA	XX.XX.XX				
FINITURA 1g/	TOLLERANZE GENERALI classe m UNI-EN 22768/1					
RETTIFICA 0.8g/	0-6 ±0.1	6-30 ±0.2	30-120 ±0.3	120-400 ±0.5	400-1000 ±0.8	1000-2000 ±1.2
VVV = 0.8g/	NOTE:					
	MATERIALE:					
	DESCRIZIONE: PW 586HY					
	INSTALLATION DRAWING					
	CODICE: PW 586HY					



DISIGN.: CR1
CONTR.: DM
DATA: 31.01.11
MOD.

SCALE 1:2
A3
O



TECHNICAL DATA

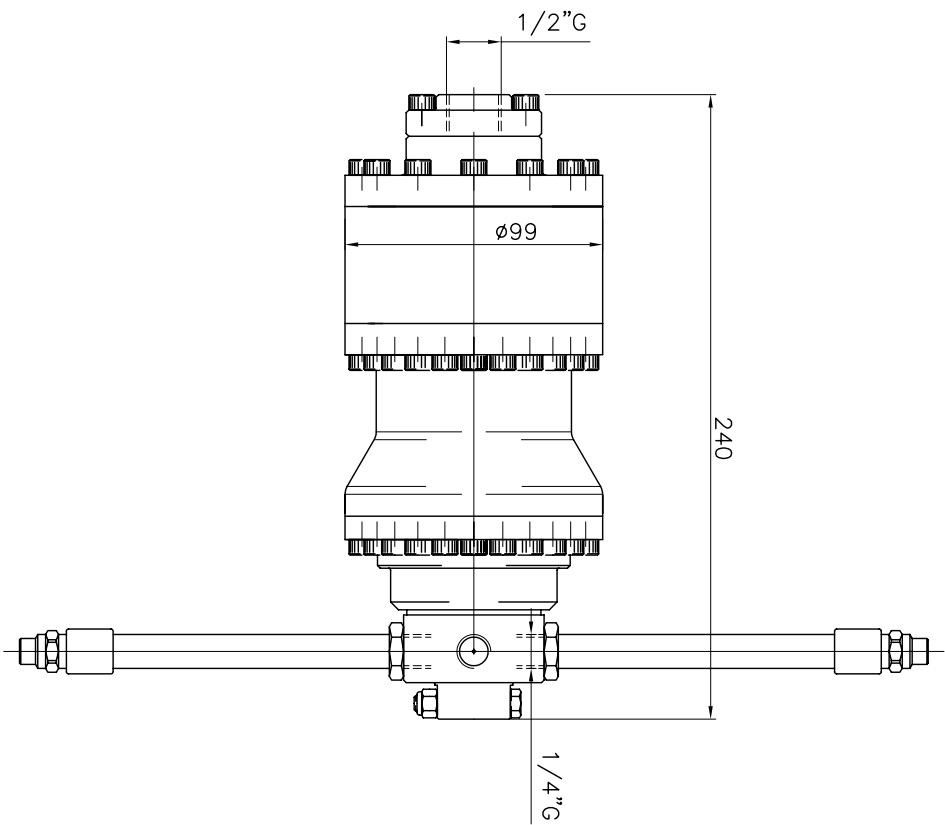
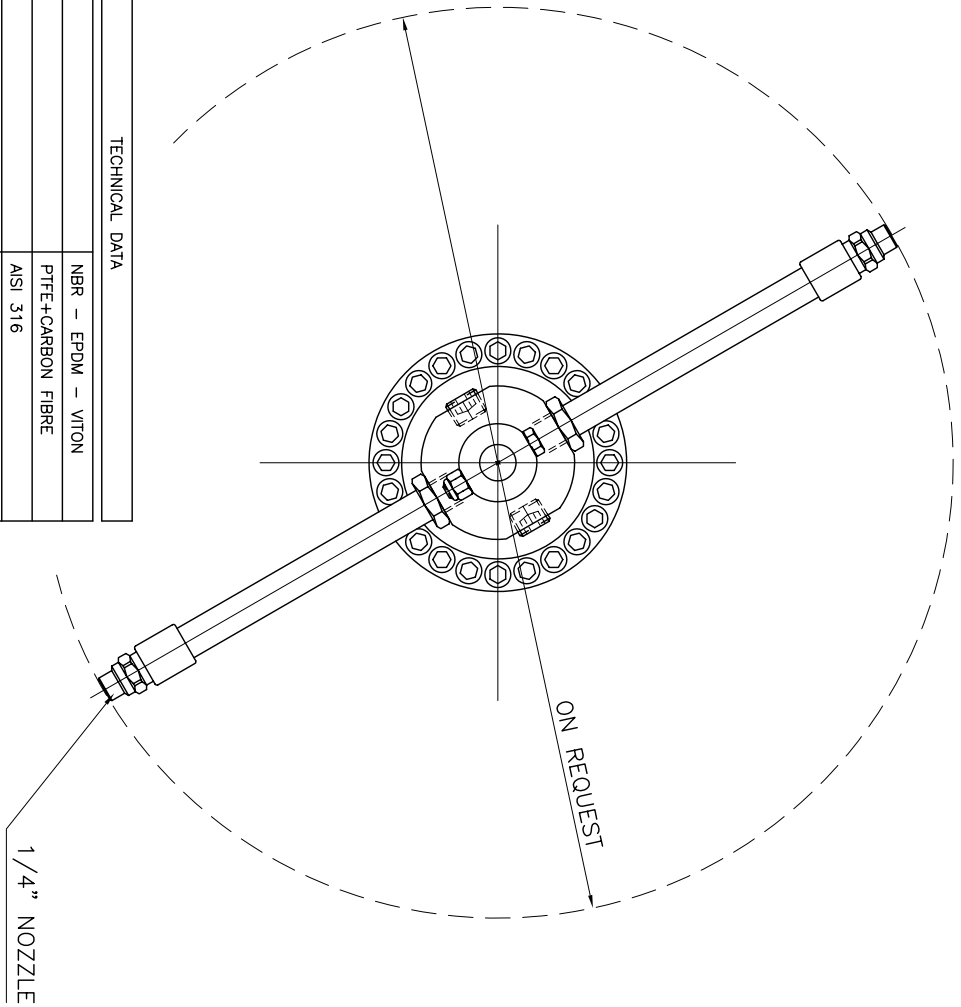
O.RING	NBR - EPDM - VITON
SLIPPER	PTFE+CARBON FIBRE
BUSHING	AISI 316
FILTER	700 MICRON
NOZZLES POSITIONS	SEE CHART
NOZZLES THREAD	M8x1 (DRO501 FAMILY)
TESTING NOZZLES	X x DRXXXX
OPERATING FLOW RANGE	15 - 60 L/min
TESTING FLOW	00 L/min
OPERATING PRESSURE RANGE	5 - 500 bar
TESTING PRESSURE	000 bar
MAX OPERATING TEMPERATURE	90 °C
MATERIAL	INOX AISI 316
DIFUSER SPEED SETTING POSITIONS	4
TESTING DIFUSER POSITION	X
ROTATION SPEED	SEE CHART
WEIGHT	9.6 KG

FLOW L/MIN		DIFUSER POSITION			
15	13	1	2	3	4
30	15				
45					
60					
				16	10
				SPINNING SPEED	RPM

2	M8x1	NOZZLES POSITIONS ON	36°	CONE
2	M8x1	NOZZLES POSITIONS ON	72°	CONE
2	M8x1	NOZZLES POSITIONS ON	108°	CONE
2	M8x1	NOZZLES POSITIONS ON	144°	CONE
2	M8x1	NOZZLES POSITIONS ON	180°	CONE

PLUG NOZZLES POSITIONS NOT USED

RUCOSITA' (UNI 4600)	MODIFICA	1	2	3	4	5	<p>CLEANING HEADS MONTECCHIO E. (RE) - ITALY</p>
GREZZO	FOGLIO	XXXX					
~ = ϕ	DATA	XX.XX.XX					
SGROSS. 3.2/	TOLLERANZE GENERALI classe m UNI-EN 22768/1	0±6	6±30	30±120	120±400	400±1000	
∇ = 3.2/	NOTE:	±0.1	±0.2	±0.3	±0.5	±0.8	±1.2
FINITURA 1.6/	MATERIALE:						
RETTIFICA 0.8/	DESCRIZIONE: PW 586AAB SL						
∇∇ = 0.8/	INSTALLATION DRAWING						
	CODICE:						PW 586AAB-SL
	SCALE:						1:2 A4 O
	DISIGN.: CR CONTR.: DM						
	DATA: 21.03.11						
	MOD.						



TECHNICAL DATA

O-RING	NBR - EPDM - VITON
SLIPPER	PTFE+CARBON FIBRE
BUSHING	AISI 316
FILTER	700 MICRON
NOZZLES POSITIONS	2 - 4
NOZZLES THREAD	1/4" G
TESTING NOZZLES	0 x 0000
OPERATING FLOW RANGE	15 - 60 L/min
TESTING FLOW	00 L/min
OPERATING PRESSURE RANGE	5 - 500 bar
TESTING PRESSURE	000 bar
MAX OPERATING TEMPERATURE	90 °C
MATERIAL	INOX AISI 316
DIFUSER SPEED SETTING POSITIONS	4
TESTING DIFUSER POSITION	X
ROTATION SPEED	SEE CHART
WEIGHT	9,6 KG

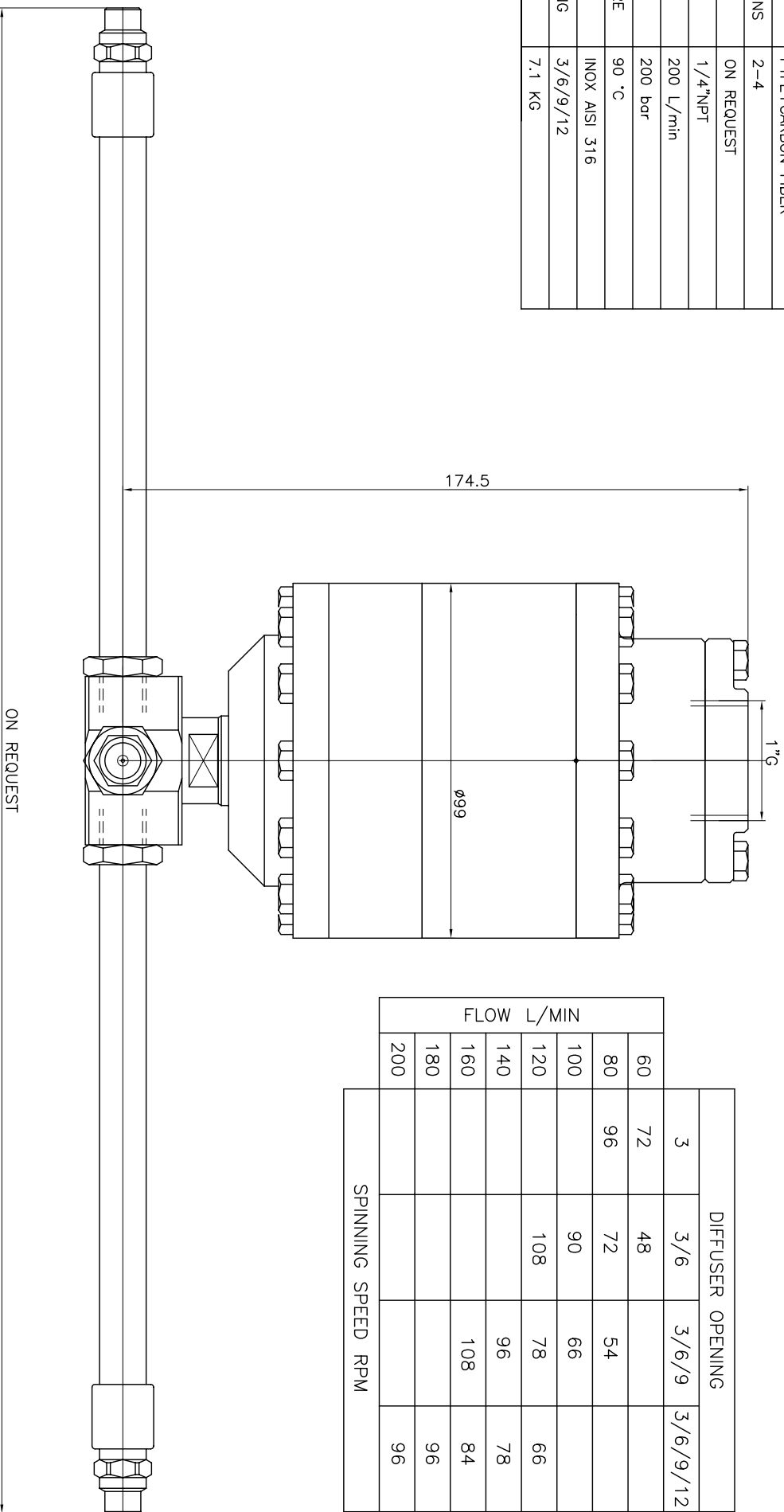
FLOW L/MIN		DIFUSER POSITION			
15	44	1	2	3	4
30	51				
45					
60				54	34
				SPINNING SPEED	RPM

RUGOSITA' (UNI 4600)	MODIFICA	1	2	3	4	5
FOGLIO XXXX	FOGLIO	1	2	3	4	5
GREZZO	DATA	XX.XX.XX				
~ = Ø	TOLLERANZE GENERALI classe m UNI-EN 22768/1	0-6	6-30	30-120	120-400	400-1000
SGROSS: 3/2	NOTE:	±0.1	±0.2	±0.3	±0.5	±1.2
∇ = ∇						
FINITURA 1/g	MATERIALE:					
∇∇ = 1/g						
RETTIFICA 0,8/g	DESCRIZIONE: PW 586A SP					
∇∇∇ = 0,8/g	INSTALLATION DRAWING					



DISIGN.: CR | CONTR.: DM
 DATA: 21.02.11
 MOD.:
 CODICE: PW 586A SP
 SCALE: 1:2 A4 O

TECHNICAL DATA	
O.RING	EPDM-NBR
SLIPPER	PTFE+CARBON FIBER
NOZZLES POSITIONS	2-4
NOZZLES CIRCLE	ON REQUEST
NOZZLES SIZE	1/4"NPT
MAX FLOW	200 L/min
MAX PRESSURE	200 bar
MAX TEMPERATURE	90 °C
MATERIAL	INOX AISI 316
DIFFUSER OPENING	3/6/9/12
WEIGHT	7.1 KG

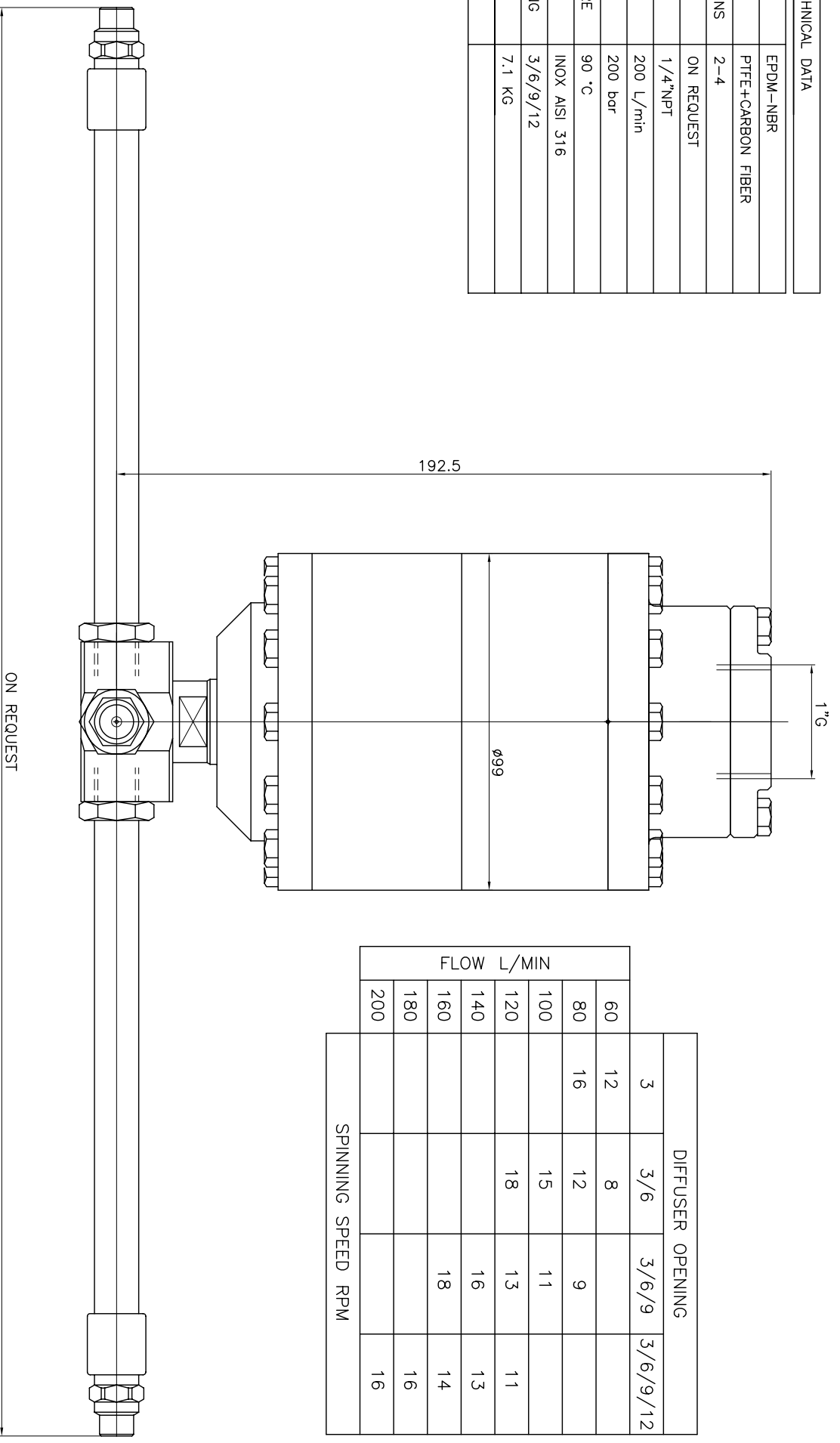


FLOW L/MIN	DIFFUSER OPENING			
	3	3/6	3/6/9	3/6/9/12
60	72	48		
80	96	72	54	
100		90	66	
120		108	78	66
140			96	78
160			108	84
180				96
200				96

SPINNING SPEED RPM

RUGOSITA' (UNI 4600)	MODIFICA	1	2	3	4	5	 CLEANING HEADS MONTECCHIO E. (RE) - ITALY
FOGLIO	xxxx						
GREZZO	DATA	xx-xx-xx					TOLLERANZE GENERALI classe m UNI-EN 22768/1 0-6 6-30 30-120 120-400 400-1000 1000-2000 ±0.1 ±0.2 ±0.3 ±0.5 ±0.8 ±1.2
SGROSS.	NOTE:	VERSION .05					DISIGN.: CRT CONTR.: DM DATA: 26.07.05 MOD.:
FINITURA	MATERIALE:	STAINLESS STEEL					SCALE 1:1 A3 O
RETTIFICA	DESCRIZIONE:	APPLICATION DRAWING					COPIE: PW 200-SP
XXX = 0g							

TECHNICAL DATA	
O.RING	EPDM-NBR
SLIPPER	PTFE+CARBON FIBER
NOZZLES POSITIONS	2-4
NOZZLES CIRCLE	ON REQUEST
NOZZLES SIZE	1/4"NPT
MAX FLOW	200 L/min
MAX PRESSURE	200 bar
MAX TEMPERATURE	90 °C
MATERIAL	INOX AISI 316
DIFFUSER OPENING	3/6/9/12
WEIGHT	7.1 KG



FLOW L/MIN	DIFFUSER OPENING			
	3	3/6	3/6/9	3/6/9/12
60	12	8		
80	16	12	9	
100		15	11	
120		18	13	11
140			16	13
160			18	14
180				16
200				16

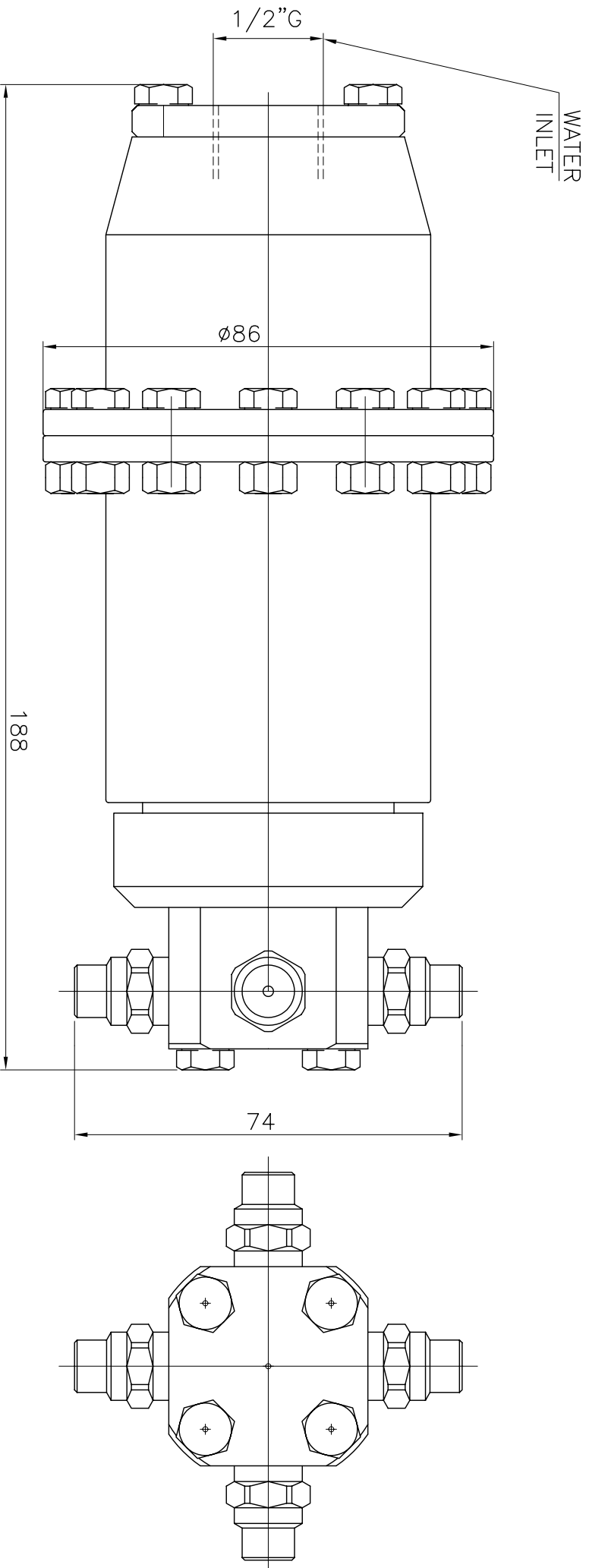
SPINNING SPEED RPM

RUGOSITA' (UNI 4600)	MODIFICA	1	2	3	4	5
FOGLIO	xxxx					
DATA	xx-xx-xx					
GREZZO	TOLLERANZE GENERALI classe m UNI-EN 22768/1					
	0-6	6-30	30-120	120-400	400-1000	1000-2000
SGROSS.	±0.1	±0.2	±0.3	±0.5	±0.8	±1.2
Δ	NOTE: VERSION .05					
FINITURA	MATERIALE: STAINLESS STEEL					
ΔΔ	1.9"					
RETTIFICA	DESCRIZIONE: APPLICATION DRAWING					
ΔΔΔ = 0.8/Δ	COMP. PW 200-SL					



DESIGN: CRT
CONTR.: DM
DATA: 26.07.05
MOD.

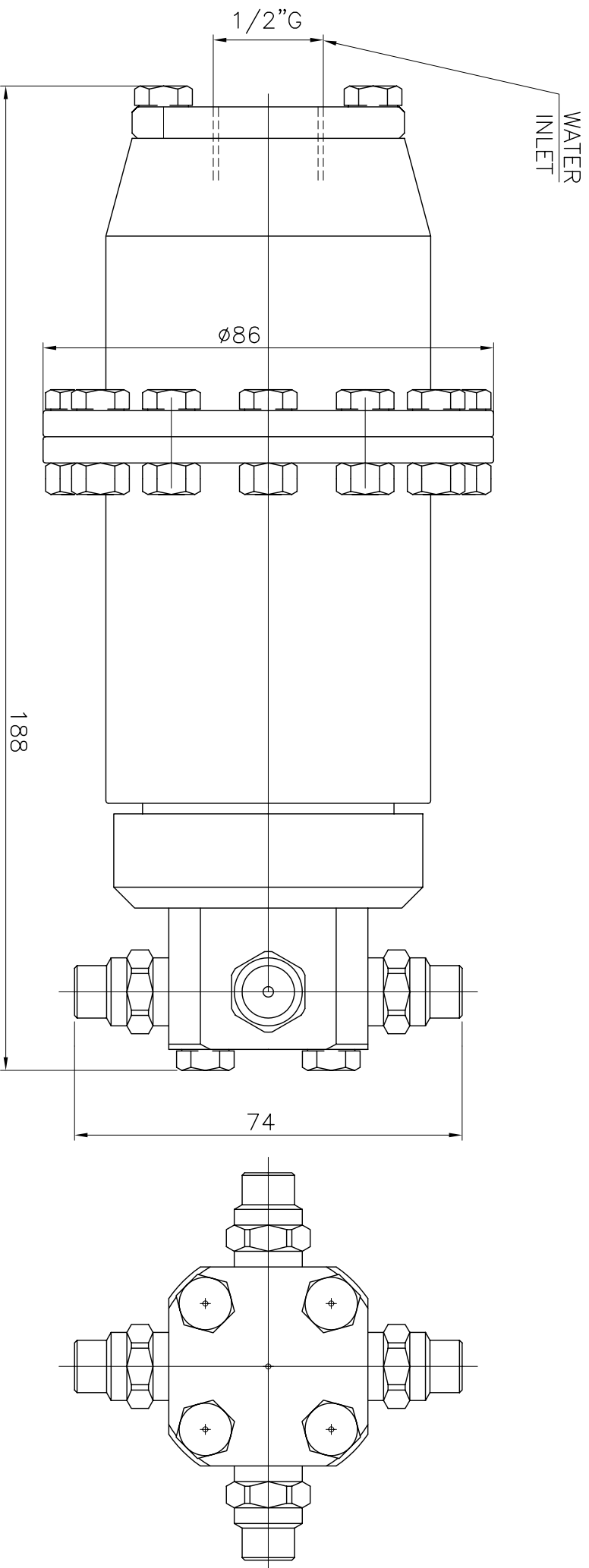
SCALE: 1:1
A3
O



TECHNICAL DATA	
temperature max	90°C
pressure max	150 bar
flow	15-60 l/min
spinning speed	80 rpm
min. pass-through hole dia.	86 mm
water inlet	1/2"G
inlet filter	700 micron
nozzle size	1/4"NPT
nozzles positions	2 - 4
weight	2.8 Kg

RUGOSITA' (UNI 4600)	MODIFICA	1	2	3	4	5
	FOGLIO	XXXX				
GREZZO	DATA	XX.XX.XX				
	TOLLERANZE GENERALI	classe m	UNI-EN 22768/1			
SGROSS. 32/	± 0.1	± 0.2	± 0.3	± 0.5	± 0.8	± 1.2
	NOTE:					
FINITURA 1,6/	MATERIALE:	INOX				
RETTIFICA 0,8/	DESCRIZIONE:	PW 186SP 01				
VVV = V/	INSTALLATION DRAWING					
CODICE:		PW 186SP 01				
SCALE		1:1		A4		O
DISEGN.: CR		CONTR.: DM		MOD.		
DATA: 11.02.09		MONTECCHIO E. (RE) - ITALY				
BOYONI		CLEANING HEADS				

file: PW 186SP 01 cm

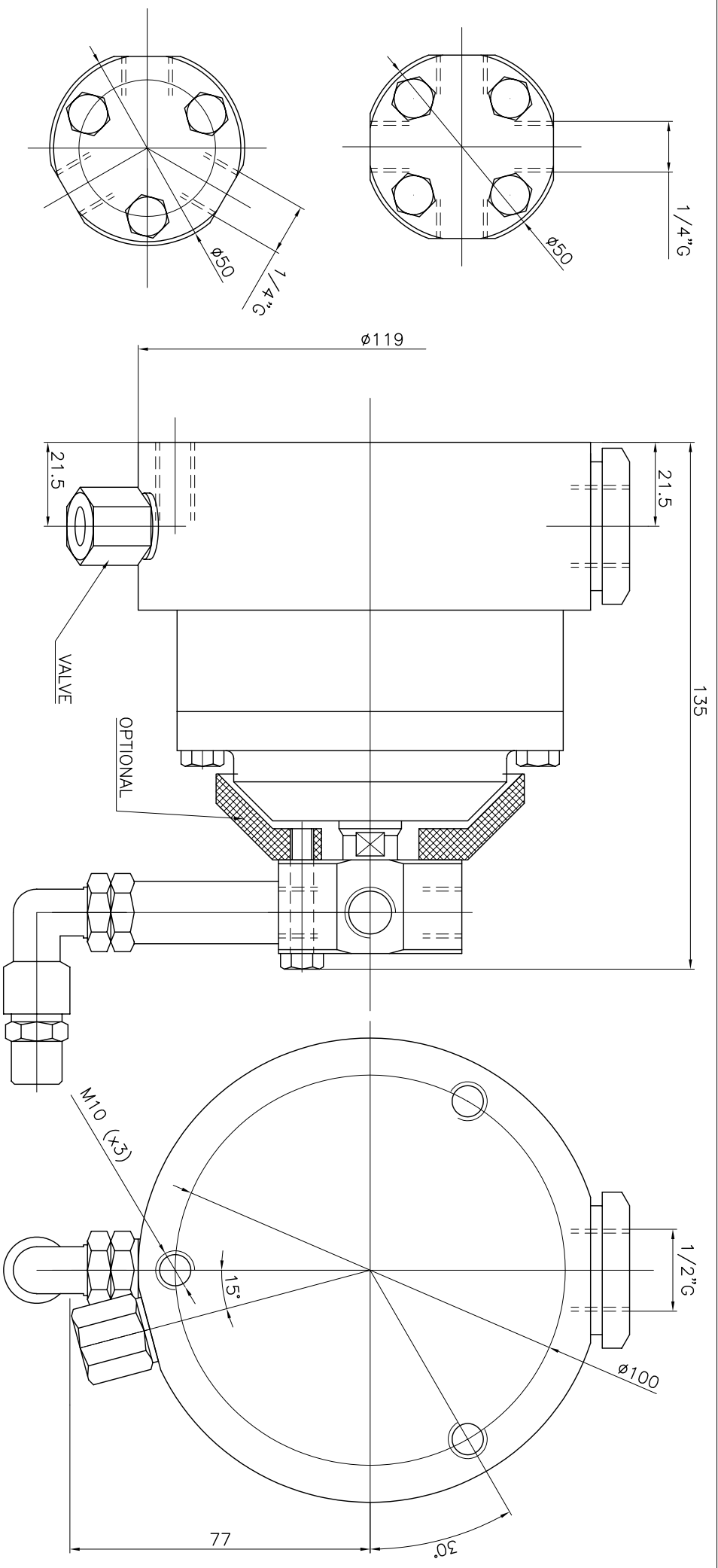


TECHNICAL DATA	
temperature max	90°C
pressure max	150 bar
flow	15-60 l/min
spinning speed	20 rpm
min. pass-through hole dia.	86 mm
water inlet	1/2" G
inlet filter	700 micron
nozzle size	1/4" NPT
nozzles positions	2 - 4
weight	2.8 Kg

RUGOSITA' (UNI 4600)	MODIFICA	1	2	3	4	5
	FOGLIO	XXXX				
GREZZO	DATA	XX.XX.XX				
	TOLLERANZE GENERALI	classe m	UNI-EN 22768/1			
SGROSS. 32/	± 0.1	± 0.2	± 0.3	± 0.5	± 0.8	± 1.2
	NOTE:					
FINITURA 1,6/	MATERIALE:	INOX				
RETTIFICA 0,8/	DESCRIZIONE:	PW 186SL 01				
VVV = V/	INSTALLATION DRAWING					
CODICE:		PW 186SL 01				
DISEGN.: CR		CONTR.: DM				
DATA: 07.09.07		MOD.				
SCALA		1:1				
		A4				
		O				

file: PW 186SL 01 cm

Bonomi
CLEANING HEADS
MONTECCHIO E. (RE) - ITALY



PRESSIONE PRESSURE RANGE	2#30 BAR				
UGELLO MOTORE MOTOR NOZZLE	ø5 MM	ø6 MM	ø6 MM	ø7 MM	ø7 MM
PORTATA FLOW	30 L/MIN	30 L/MIN	45 L/MIN	45 L/MIN	60 L/MIN
VELOCITA' ROTAZIONE SPEED	100 GIRI/RPM	75 GIRI/RPM	120 GIRI/RPM	105 GIRI/RPM	140 GIRI/RPM
PESO WEIGHT	2.6 KG				

RUGOSITA' (UNI 4600)	MODIFICA	1	2	3	4	5	
FOGLIO XXXX	DATA	XX.XX.XX					
GREZZO	TOLLERANZE GENERALI classe m UNI-EN 22768/1	0-6	6-30	30-120	120-400	400-1000	1000-2000
		±0.1	±0.2	±0.3	±0.5	±0.8	±1.2
SGROSS.	NOTE: versione 05						
▽ = 3.2/							
FINITURA 1g/	MATERIALE:						
▽▽ = 1g/							
RETTIFICA 0g/	DESCRIZIONE: AQUAMOTOR VERS LAVAGGIO FRONTALE						
▽▽▽ = g/	AQUAMOTOR SURFACE WASHING VERS.						
	copie: PW 063 LC						
	scala 1:1						
	A3						
	0						
	DISEGNI: CR ICONTR.: DM						
	DATA: 02.08.01						
	MOD.						



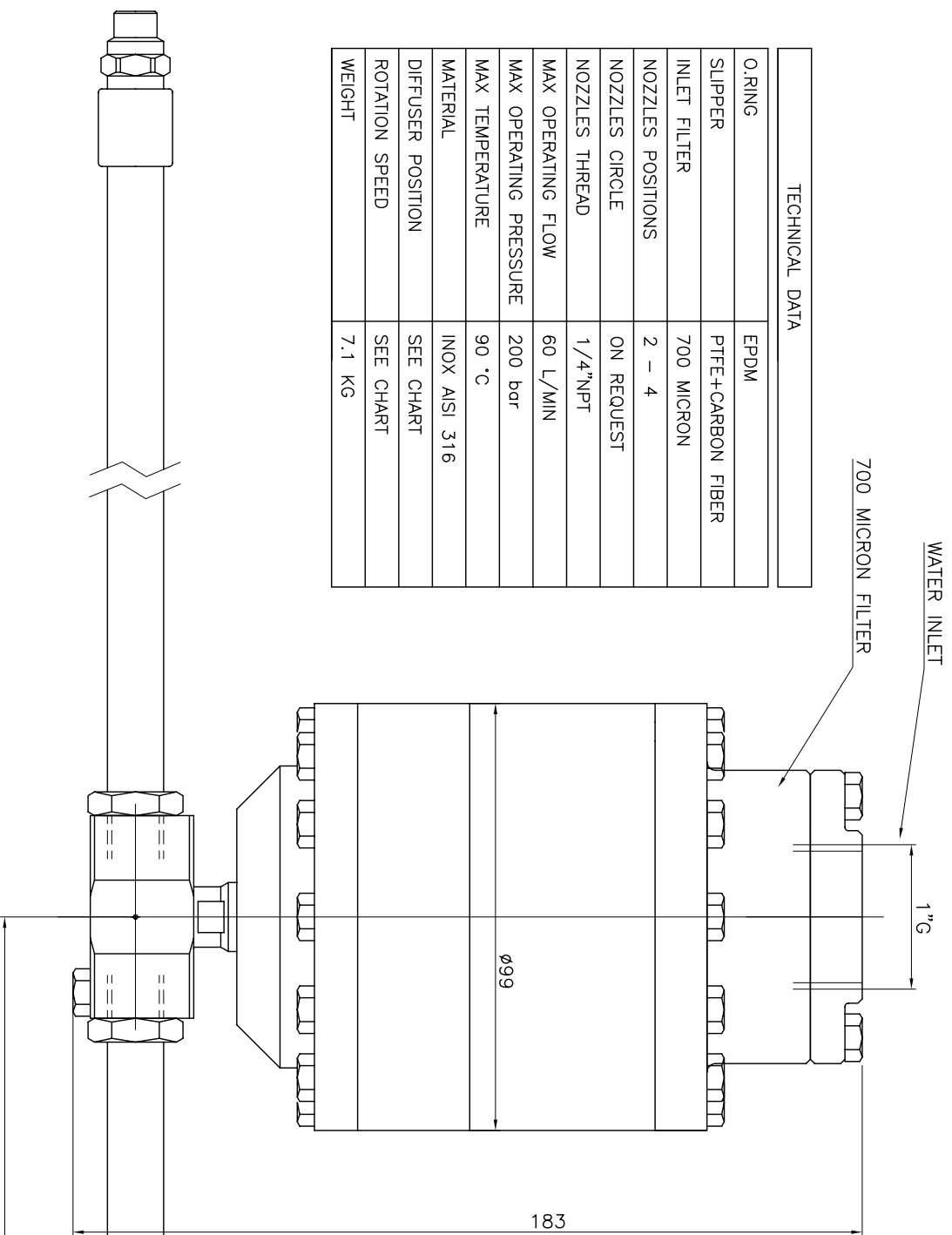
MONTECOCHIO E. (RE) - ITALY

02.08.01

DM

0

TECHNICAL DATA	
O. RING	EPDM
SLIPPER	PTFE+CARBON FIBER
INLET FILTER	700 MICRON
NOZZLES POSITIONS	2 - 4
NOZZLES CIRCLE	ON REQUEST
NOZZLES THREAD	1/4"NPT
MAX OPERATING FLOW	60 L/MIN
MAX OPERATING PRESSURE	200 bar
MAX TEMPERATURE	90 °C
MATERIAL	INOX AISI 316
DIFFUSER POSITION	SEE CHART
ROTATION SPEED	SEE CHART
WEIGHT	7.1 KG



FLOW L/MIN	DIFFUSER POSITION			
	1	2	3	4
15	78	36		
30		90	42	
45			72	42
60			96	60

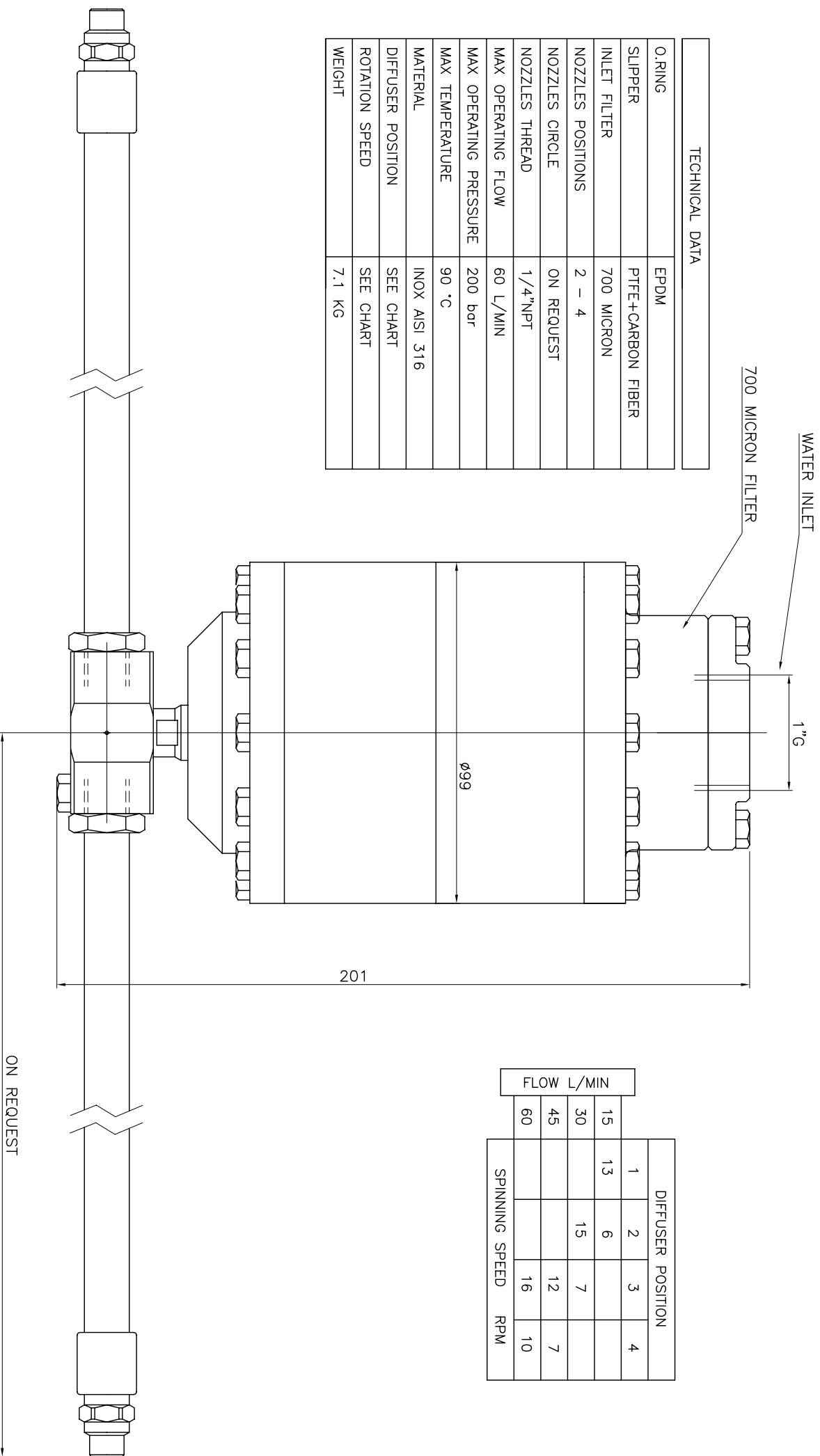
ON REQUEST

RUGOSITA' (UNI 4600)	MODIFICA	1	2	3	4	5
FOGLIO	xxxx					
GREZZO	DATA	xx.xx.xx				
~ = φ	TOLLERANZE GENERALI classe m UNI-EN 22768/1					
SGROSS. 3/2	0-6	6-30	30-120	120-400	400-1000	1000-2000
▽ = √	±0.1	±0.2	±0.3	±0.5	±0.8	±1.2
FINITURA 1.g/	NOTE: VERSION 05					
RETTIFICA 0.8g/	MATERIALE: INOX					
▽▽ = √	DESCRIZIONE: PW 060 SP APPLICATION DRAWING					
▽▽▽ = √	CODICE: PW 060 SP					

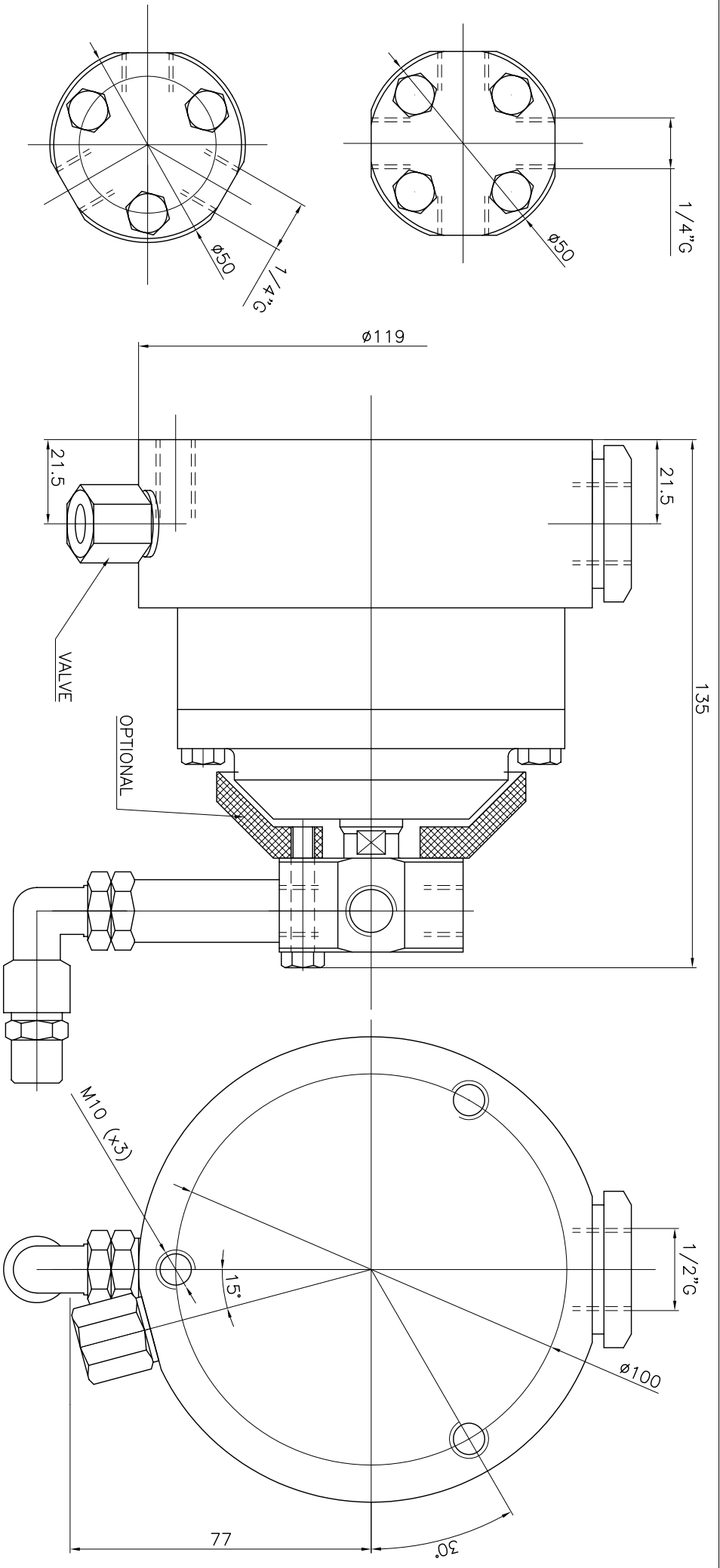


MONTECCHIO E. (RE) - ITALY
 DISEGN.: CR1 CONTR.: DM
 DATA: 21.11.08
 MOD. 1:1 A3 0

TECHNICAL DATA	
O. RING	EPDM
SLIPPER	PTFE+CARBON FIBER
INLET FILTER	700 MICRON
NOZZLES POSITIONS	2 - 4
NOZZLES CIRCLE	ON REQUEST
NOZZLES THREAD	1/4"NPT
MAX OPERATING FLOW	60 L/MIN
MAX OPERATING PRESSURE	200 bar
MAX TEMPERATURE	90 °C
MATERIAL	INOX AISI 316
DIFFUSER POSITION	SEE CHART
ROTATION SPEED	SEE CHART
WEIGHT	7.1 KG



RUGOSITA' (UNI 4600)	MODIFICA	1	2	3	4	5
FOGLIO	XXXX					
GREZZO	DATA	XX.XX.XX				
~ = φ	TOLLERANZE GENERALI classe m UNI-EN 22768/1					
SGROSS: 3/2	0-6	±0.1	±0.2	±0.3	±0.5	±1.2
▽ = ∇	NOTE: VERSION 05					
FINITURA 1.g/	MATERIALE: INOX					
RETTIFICA 0.g/	DESCRIZIONE: PW 060 SL					
VVV = ∇	APPLICATION DRAWING					
	CODICE:	PW 060 SL				
	SCALE	1:1 A3 0				
	DATA: 21.11.08	DISIGN.: CR1 CONTR.: DM				
	MOD.	MONTECCHIO E. (RE) - ITALY				
		Bolonoff				
		CLEANING HEADS				



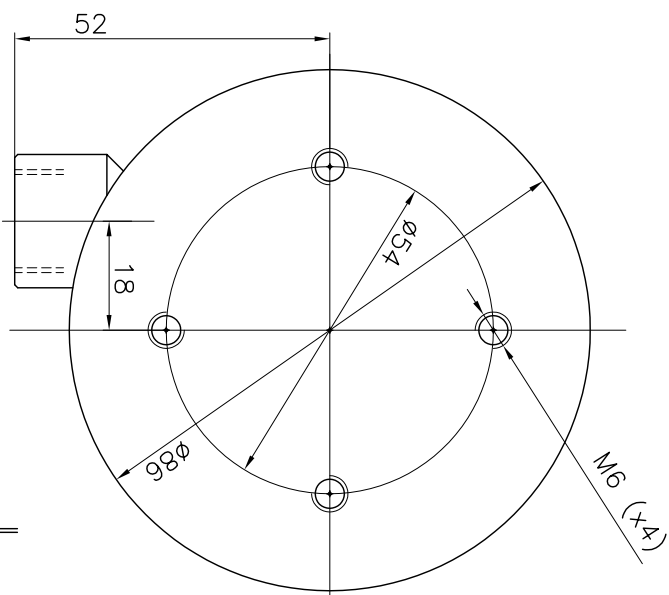
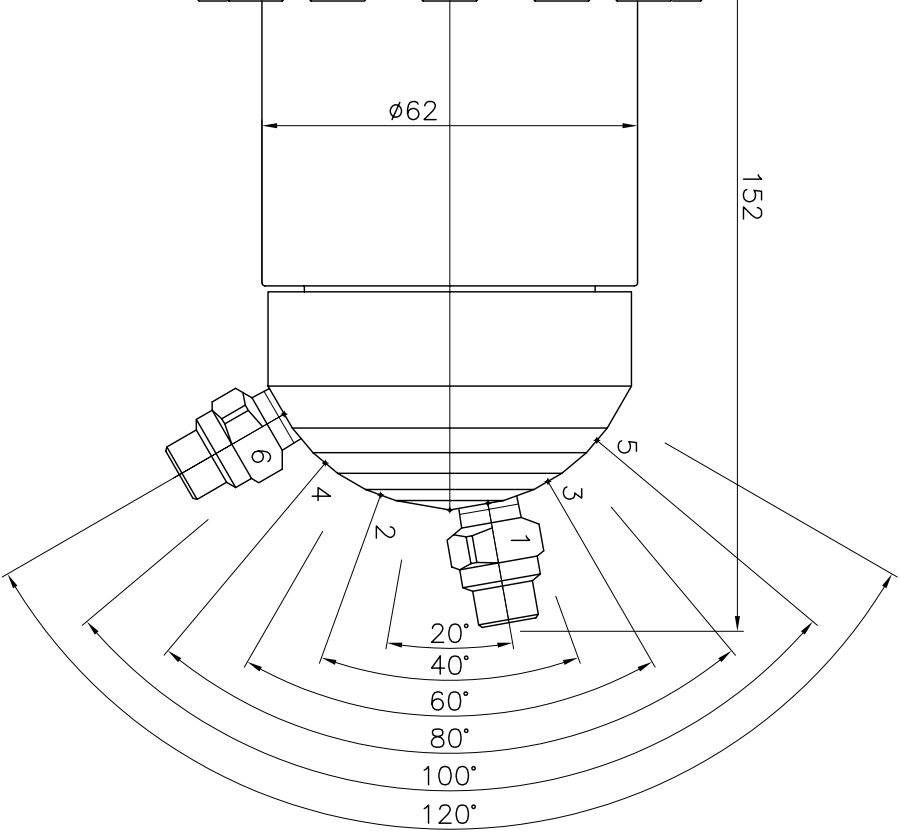
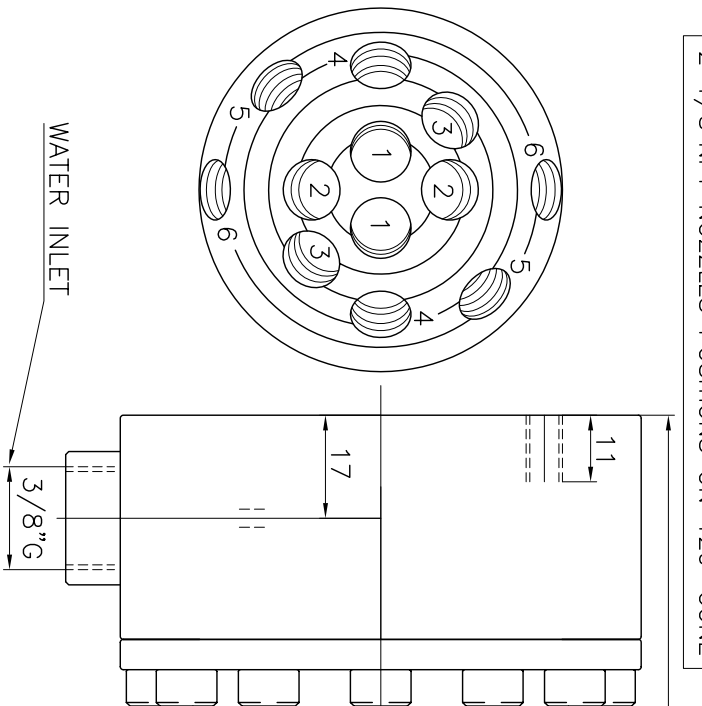
PRESSIONE 5/200 Bar PRESSURE RANGE	100 BAR									
UGELLO MOTORE MOTOR NOZZLE	ø3 MM	ø4 MM	ø5 MM	ø5 MM	ø6 MM	ø6 MM	ø7 MM	ø7 MM		
PORTATA FLOW	15 L/MIN	30 L/MIN	30 L/MIN	45 L/MIN	45 L/MIN	60 L/MIN	45 L/MIN	60 L/MIN		
VELOCITA' ROTAZIONE SPEED	65 GIRI/MIN RPM	95 GIRI/MIN RPM	80 GIRI/MIN RPM	120 GIRI/MIN RPM	95 GIRI/MIN RPM	145 GIRI/MIN RPM	80 GIRI/MIN RPM	125 GIRI/MIN RPM		

RUGOSITA' (UNI 4600)	MODIFICA	1	2	3	4	5
FOGLIO XXXX	FOGLIO	XXXX				
DATA XX.XX.XX	DATA	XX.XX.XX				
GREZZO	TOLLERANZE GENERALI classe m UNI-EN 22768/1					
∩ = ∅	0-6 ±0.1	6-30 ±0.2	30-120 ±0.3	120-400 ±0.5	400-1000 ±0.8	1000-2000 ±1.2
SGROSS.	±0.1	±0.2	±0.3	±0.5	±0.8	±1.2
∇ = 3.2/	NOTE: versione 05					
FINITURA 1g/	MATERIALE:					
∇∇ = 1g/						
RETTIFICA 0g/	DESCRIZIONE: AQUAMOTOR VERS LAVAGGIO FRONTALE					
∇∇∇ = ∇	AQUAMOTOR SURFACE WASHING VERS.					
DISEGNI: GR ICONTR.: DM		MONTECOCHIO E. (RE) - ITALY		DATA: 02.08.01		MOD.
SCALA		1:1		A3		0
CODICE:		PW		060		LC



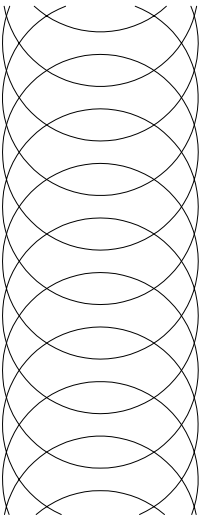
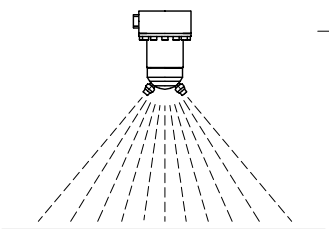
- 2 1/8"NPT NOZZLES POSITIONS ON 20° CONE
- 2 1/8"NPT NOZZLES POSITIONS ON 40° CONE
- 2 1/8"NPT NOZZLES POSITIONS ON 60° CONE
- 2 1/8"NPT NOZZLES POSITIONS ON 80° CONE
- 2 1/8"NPT NOZZLES POSITIONS ON 100° CONE
- 2 1/8"NPT NOZZLES POSITIONS ON 120° CONE

PLUG NOZZLES POSITIONS NOT USED



TECHNICAL DATA	
temperature max	90°C
pressure max	150 bar
flow	15-30 l/min
spinning speed	180-200 rpm
water inlet	3/8"G
nozzle thread	1/8"NPT
nozzles positions	2 (x6 angles)
weight	3.0 Kg

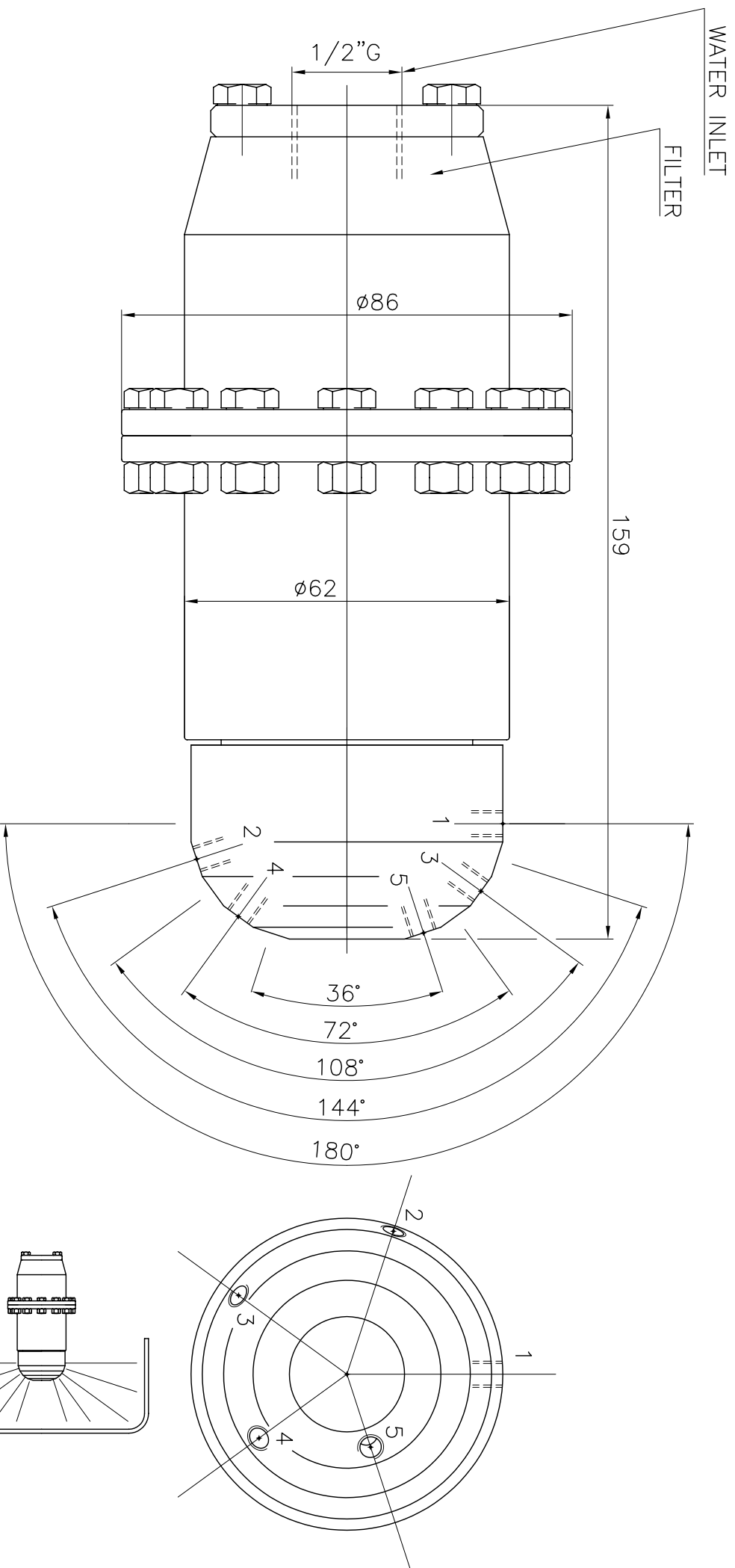
	flow L/min				
turbine nozzle	15	18	20	25	30
washing nozzles	3,0 mm	4,0 mm	4,0 mm	5,0 mm	6,0 mm
	2x0003	2x0004	2x0004	2x00055	2x00065
pressure bar	105	95	110	100	100
speed rpm	207	184	203	200	200
pressure drop bar	8,5	5	6,5	6	7,5



WITH LINEAR MOTION PATTERN

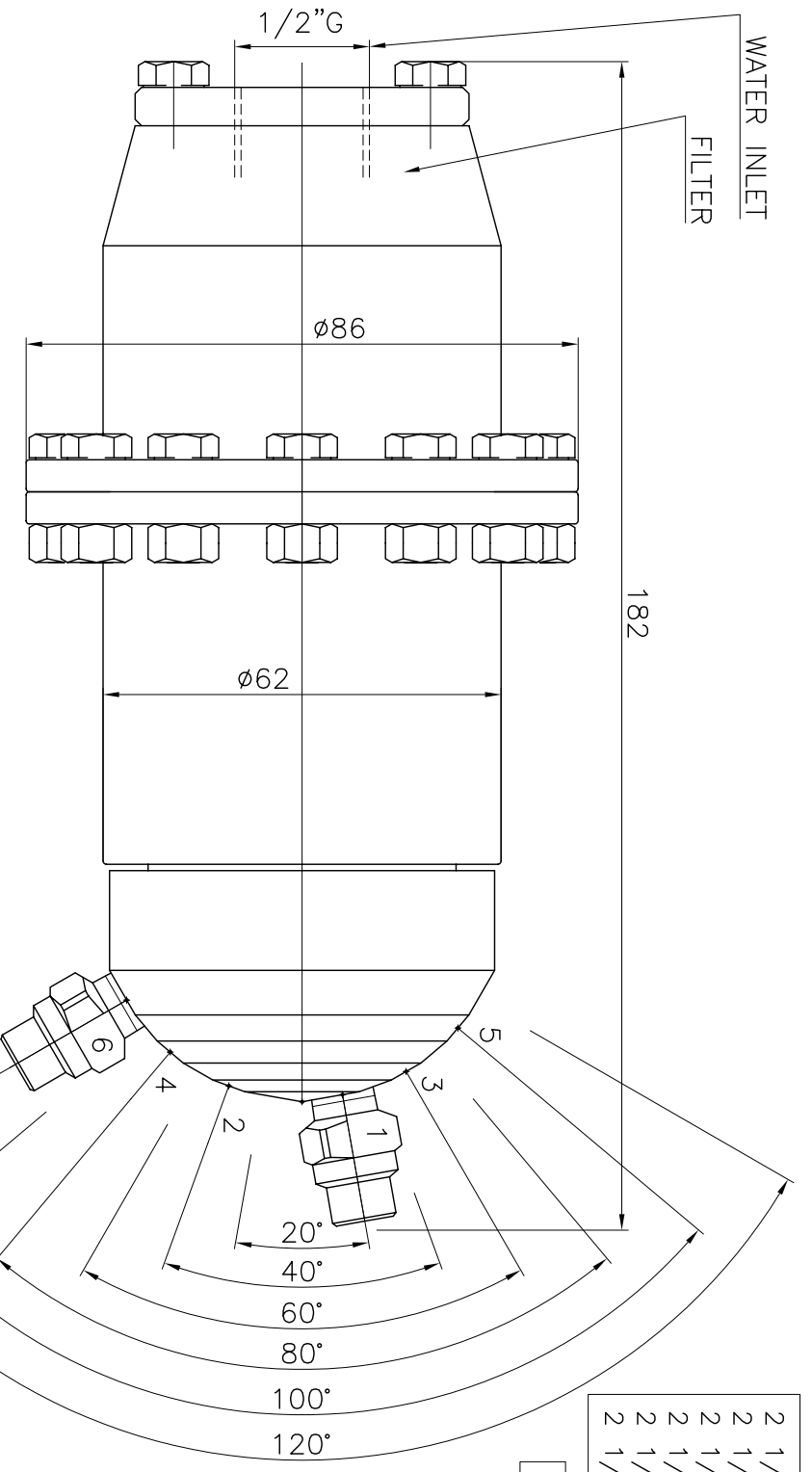
RUGOSITA' (UNI 4600)	MODIFICA	1	2	3	4	5
FOGLIO	XXXX					
DATA	XX.XX.XX					
GREZZO	TOLLERANZE GENERALI classe m UNI-EN 22768/1					
$\sim = \phi$	0±6	6÷30	30÷120	120÷400	400÷1000	1000÷2000
SGROSS.	±0.1	±0.2	±0.3	±0.5	±0.8	±1.2
$\nabla = \nabla$	NOTE: vers. 01					
FINITURA	MATERIALE:					
RETTIFICA	DESCRIZIONE: SURFACE WASHING SIDE INLET					
INSTALLATION DRAWING						
CODICE: PW049-AAB	DISIGN.: CR	CONTR.: DM				
SCALA	DATA: 14.04.09					
1:1	MOD.					
A4						
O						





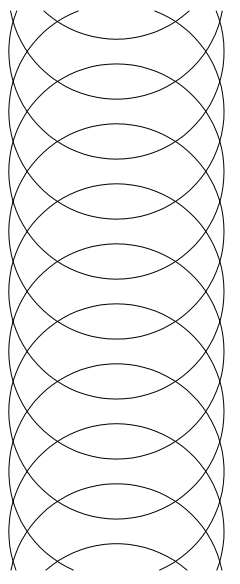
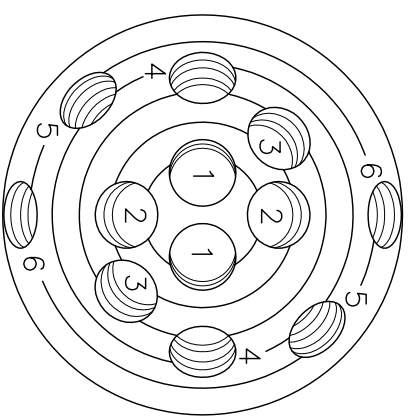
TECHNICAL DATA	
temperature max	90°C
pressure max	150 bar
flow	15-60 l/min
spinning speed	100 rpm
water inlet	1/2" G
filter	700 micron
nozzle thread	M5
nozzles positions	5 (5 angles)
weight	3.0 Kg

RUGOSITA' (UNI 4600)	MODIFICA	1	2	3	4	5
	FOGLIO	XXXX				
GREZZO	DATA	XX.XX.XX				
	TOLLERANZE GENERALI classe m UNI-EN 22768/1	0 ÷ 6	6 ÷ 30	30 ÷ 120	120 ÷ 400	400 ÷ 1000
SGROSS.	± 0.1	± 0.2	± 0.3	± 0.5	± 0.8	± 1.2
	NOTE:					
FINITURA	MATERIALE:	INOX				
RETTIFICA	DESCRIZIONE:	AQUAMOTOR SURFACE WASHING INSTALLATION DRAWING				
	CODICE:	PW 049 AB				
	SCALA	1:1				
	DISEGN.: GR	A4				
	DATA: 22.12.08	O				
	CONTR.: DM	MOD.				
		Sonomat CLEANING HEADS MONTECCHIO E. (RE) - ITALY				

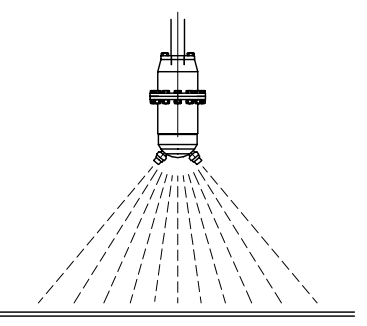


2	1/8" NPT NOZZLES	ON	20° CONE
2	1/8" NPT NOZZLES	ON	40° CONE
2	1/8" NPT NOZZLES	ON	60° CONE
2	1/8" NPT NOZZLES	ON	80° CONE
2	1/8" NPT NOZZLES	ON	100° CONE
2	1/8" NPT NOZZLES	ON	120° CONE

PLUG NOZZLES POSITIONS NOT USED



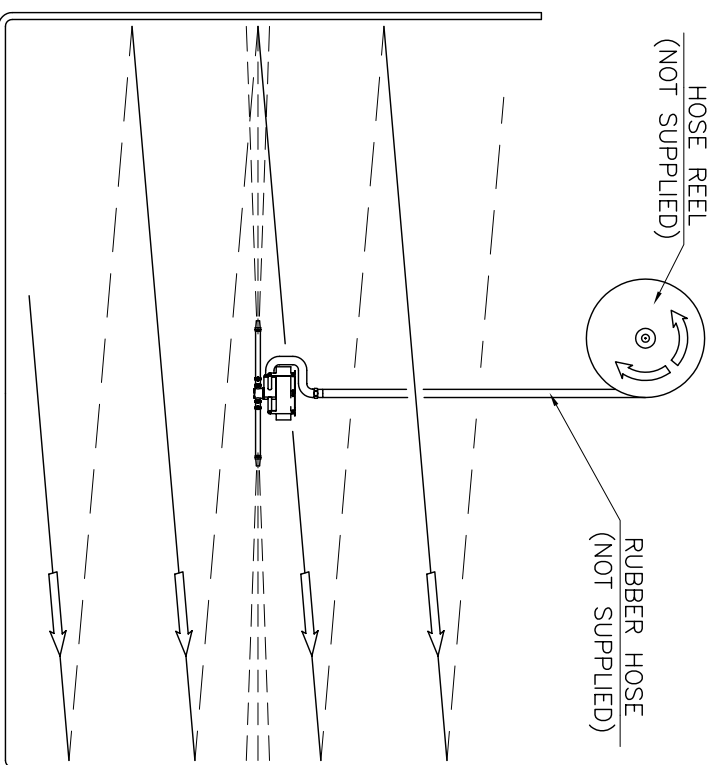
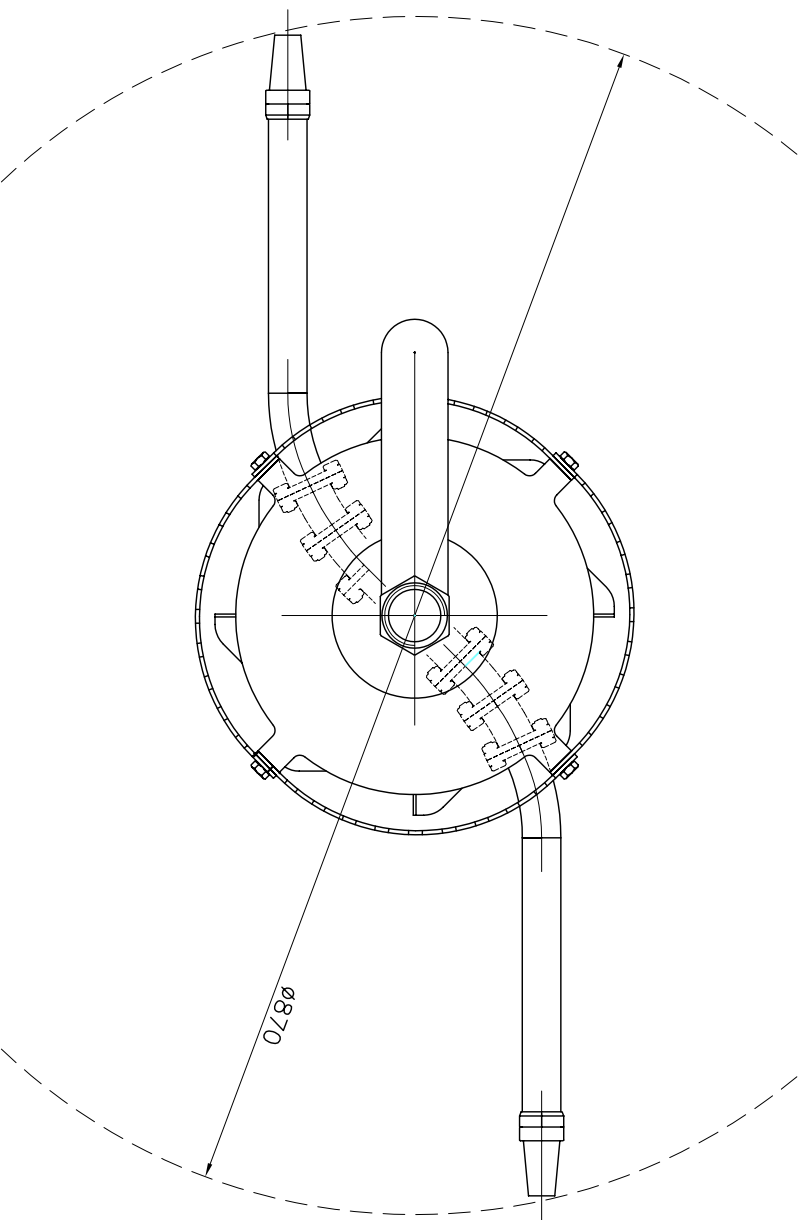
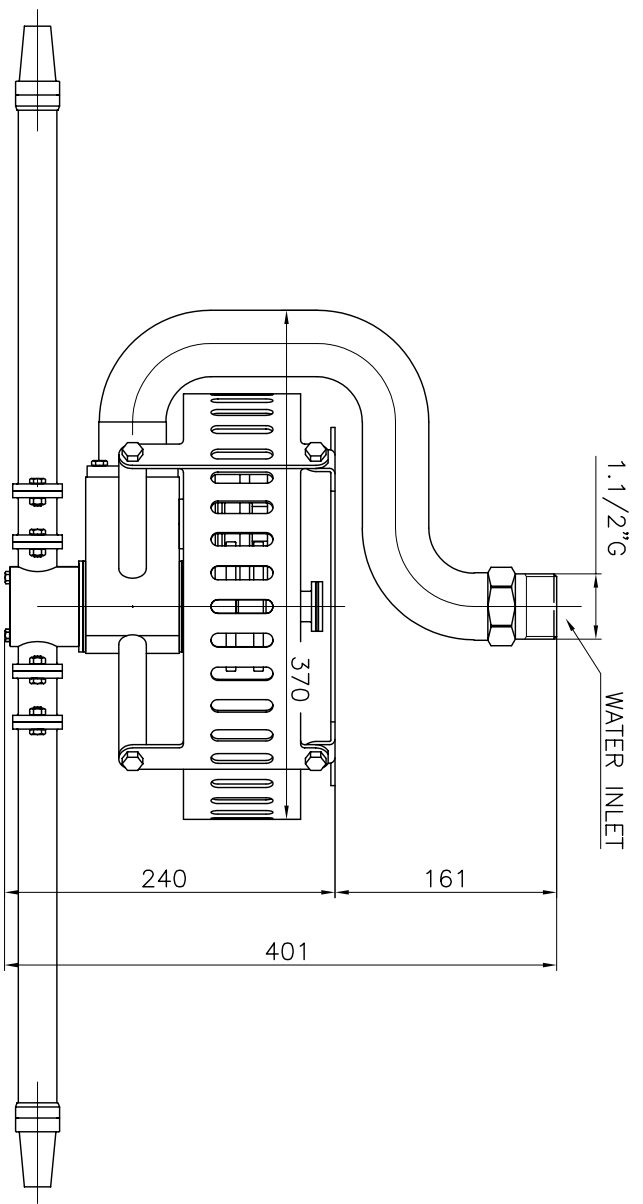
WITH LINEAR MOTION PATTERN



TECHNICAL DATA	
temperature max	90°C
pressure max	150 bar
flow	15-60 l/min
spinning speed	100 rpm
water inlet	1/2" G
filter	700 micron
nozzle thread	1/8" NPT
nozzles positions	2 (x6 angles)
weight	3.0 Kg

RUGOSITA' (UNI 4600)	MODIFICA	1	2	3	4	5
	FOGLIO	XXXX				
GREZZO	DATA	XX.XX.XX				
	TOLLERANZE GENERALI classe m UNI-EN 22768/1	0 ÷ 6	6 ÷ 30	30 ÷ 120	120 ÷ 400	400 ÷ 1000
SGROSS.	± 0.1	± 0.2	± 0.3	± 0.5	± 0.8	± 1.2
▽	NOTE: vers.01					
FINITURA	MATERIALE:	INOX				
RETTIFICA	DESCRIZIONE:	AQUAMOTOR SURFACE WASHING				
INSTALLATION DRAWING	INSTALLATION DRAWING					
SCALA	1:1	A4	O			
MOD.						
DATE:	11.04.07					
DISEGN.:	CR CONTR.: DM					
MONTECHIO E. (RE) - ITALY						
CODICE:	PW 049.AA					





MAX FLOW	600 L/min.
MAX PRESSURE	10 bar
NOZZLES POSITIONS	2
NOZZLES SIZE	7.5-11-14-15.5 mm
DRIVE	REACTION
ROTATION SPEED	5 to 10 rpm
SPEED CONTROL	AERODYNAMIC
MATERIAL	INOX AISI 316
BUSHING MATERIAL	PEEK
MIN PASS THROUGH HOLE	900 mm
WEIGHT	7.5 Kg.

RUGOSITA' (UNI 4600)	MODIFICA	1	2	3	4	5	 CLEANING HEADS MONTECCHIO E. (RE) - ITALY
GREZZO	FOGLIO						
SGROSS.	DATA	TOLLERANZE GENERALI classe m UNI-EN 22768/1					
$\nabla = \varphi'$		0±6	6±30	30±120	120±400	400±1000	1000±2000
$\nabla \nabla = 1.6/\nabla$		±0.1	±0.2	±0.3	±0.5	±0.8	±1.2
FINITURA	MATERIALE:	NOTE:					
RETTIFICA		DESCRIZIONE: INSTALLATION DRAWING PW 610					
$\nabla \nabla \nabla = 0.8/\nabla$		CODICE: PW 610 cm					

SERIE RT

RT SERIES

TESTINE AUTOROTANTI
LAVAGGIO VOLUMETRICO

SELFSPINNING HEADS
VOLUMETRIC WASHING

TESTINE DI LAVAGGIO PER BASSA PRESSIONE

Testine per bassa pressione idonee per azione di risciacquo

LOW PRESSURE CLEANING HEADS

Low pressure cleaning head suitable for rinse the tank



AQUAMOTOR

È un sistema di movimento autorotante per testine di lavaggio la cui velocità di rotazione dipende dai seguenti fattori: portata, posizione degli ugelli, viscosità dell'olio.

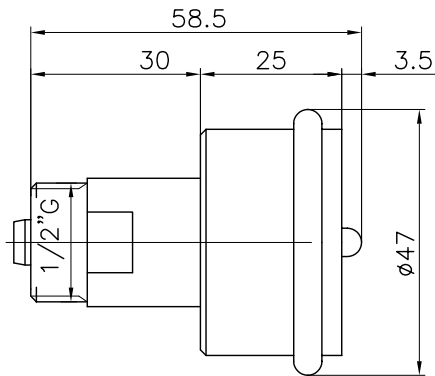
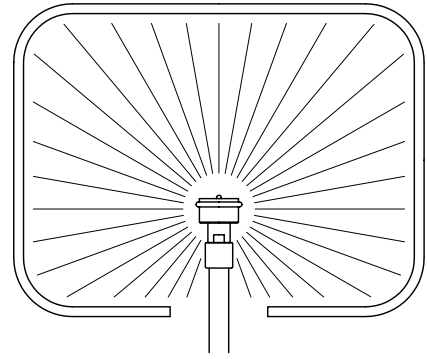
It's a selfspinning device for cleaning heads with spinning speed depending on: water flow, nozzle position, oil viscosity.



rOtojet

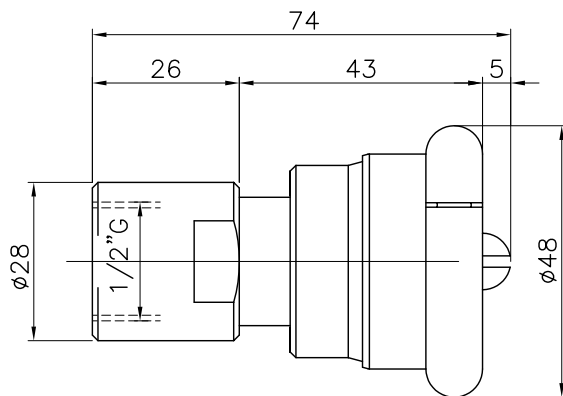
RT Series

MATERIAL	AISI 316
MAX PRESSURE	10 bar
MAX OPERATING TEMPERATURE	90°C



RT0008

3x 0.6 mm SLOTS					
PRESSURE (bar)	1	2	3	4	5
FLOW (L/min)	6	10	11	12	18



RT0225

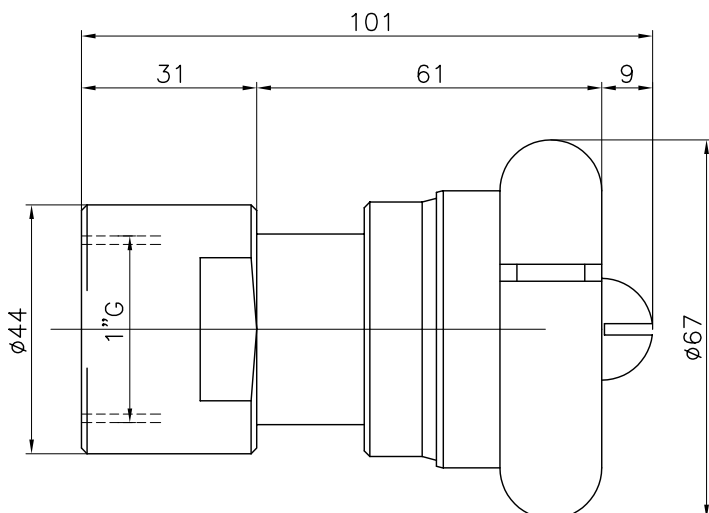
3x 0.8 mm SLOTS					
PRESSURE (bar)	2	4	6	8	10
FLOW (L/min)	15	21	27	32	35

RT0235

3x 1 mm SLOTS					
PRESSURE (bar)	2	4	6	8	10
FLOW (L/min)	18	25	32	36	41

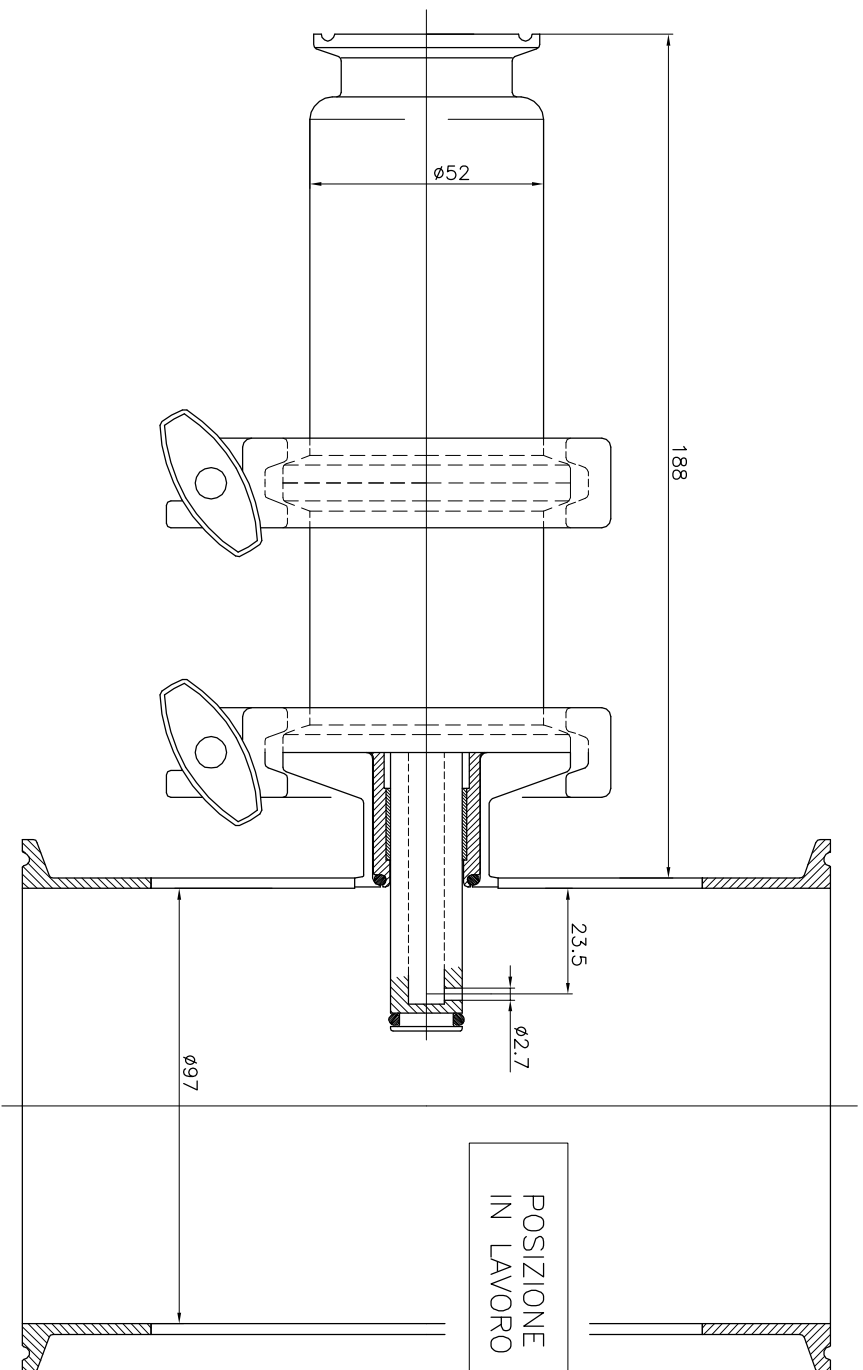
RT0255

2x 1.5 mm + 1x 1 mm SLOTS					
PRESSURE (bar)	2	4	6	8	10
FLOW (L/min)	40	53	63	75	83

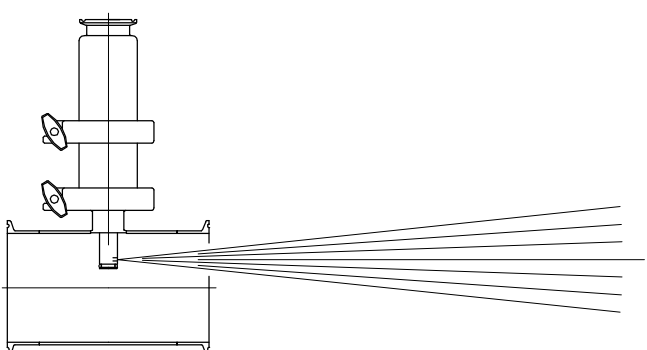


RT0355

2x 3 mm + 1x 2 mm SLOTS						
PRESSURE (bar)	1	2	3	4	5	6
FLOW (L/min)	30	60	80	90	105	120

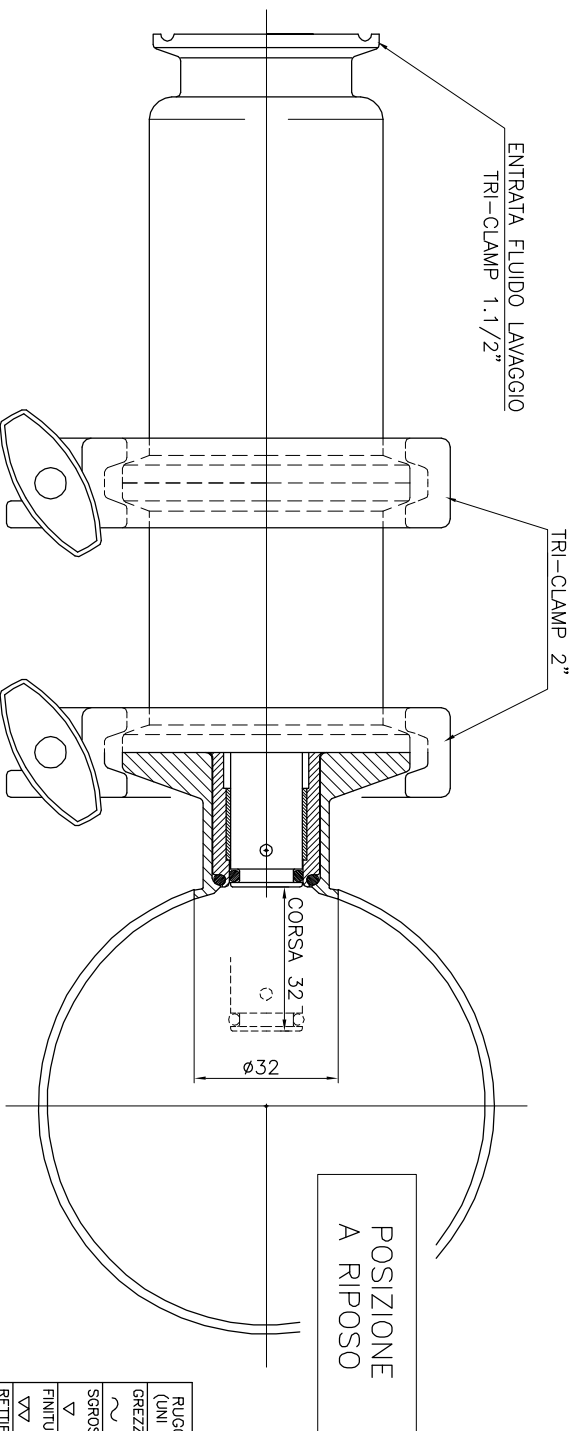


POSIZIONE
IN LAVORO



PRESSIONE BAR	PORTATA L/MIN.
1	4.5
2	6.4
3	7.8
4	9.0
5	10.1
6	11.1
7	11.9

PRESSIONE MINIMA PER TRASLAZIONE
COMPLETA 0.5 BAR



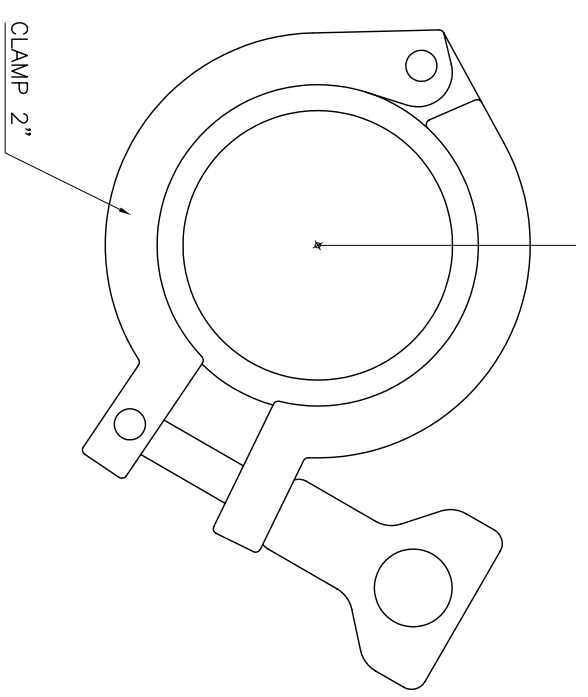
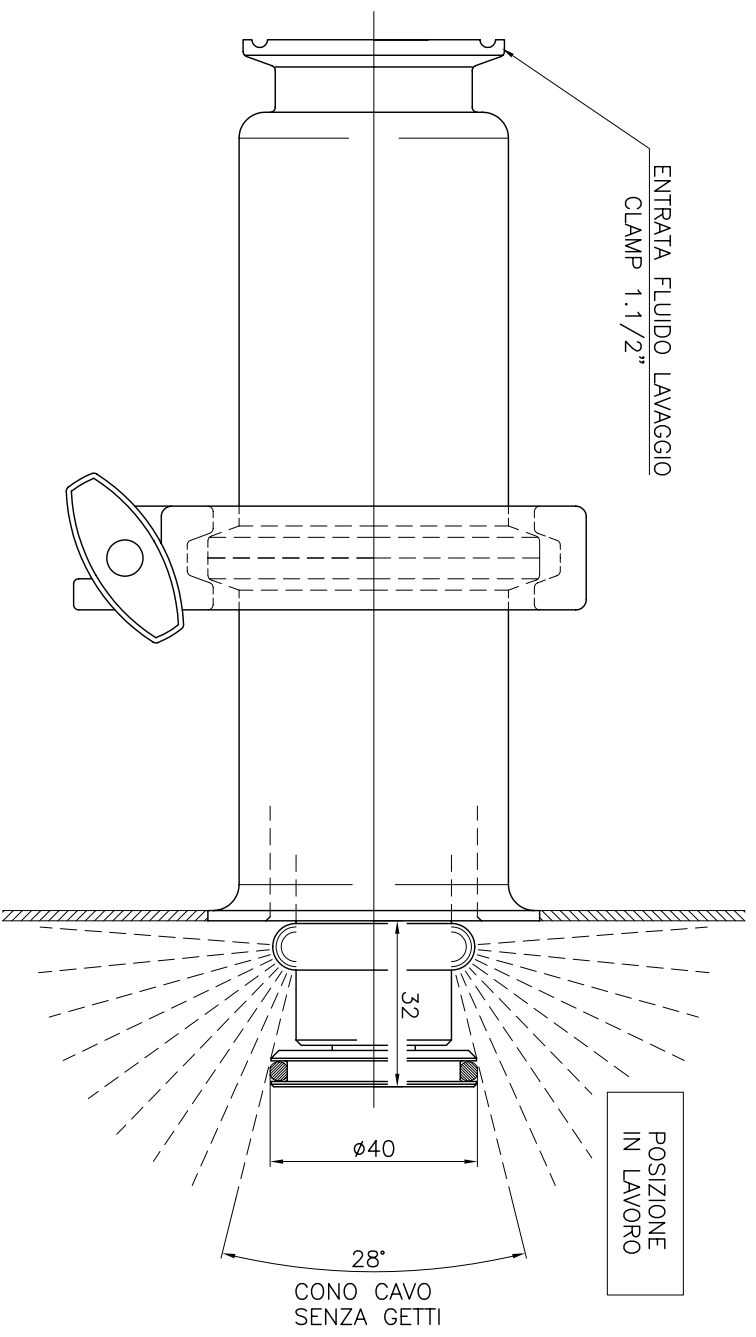
POSIZIONE
A RIPOSO

RUOSSITA' (UNI 4600)	MODIFICA	1	2	3	4	5
FOGLIO	xxxx					
DATA	xxxxxx					
GREZZO	TOLLERANZE GENERALI classe m UNI-EN 22768/1					
	0+0.6	6+30	30+120	120+400	400+1000	1000+2000
SGROSS	±0.1	±0.2	±0.3	±0.5	±0.8	±1.2
NOTE:	file: RT 120 AB cm					
FINITURA	MATERIALE: AISI 316					
RETTIFICA	1.6					
DESCRIZIONE:	UGELLO A SCOMPARSA CON TRASLAZIONE CON FLUIDO LAVAGGIO					
CODICE:	RT 120 AB					



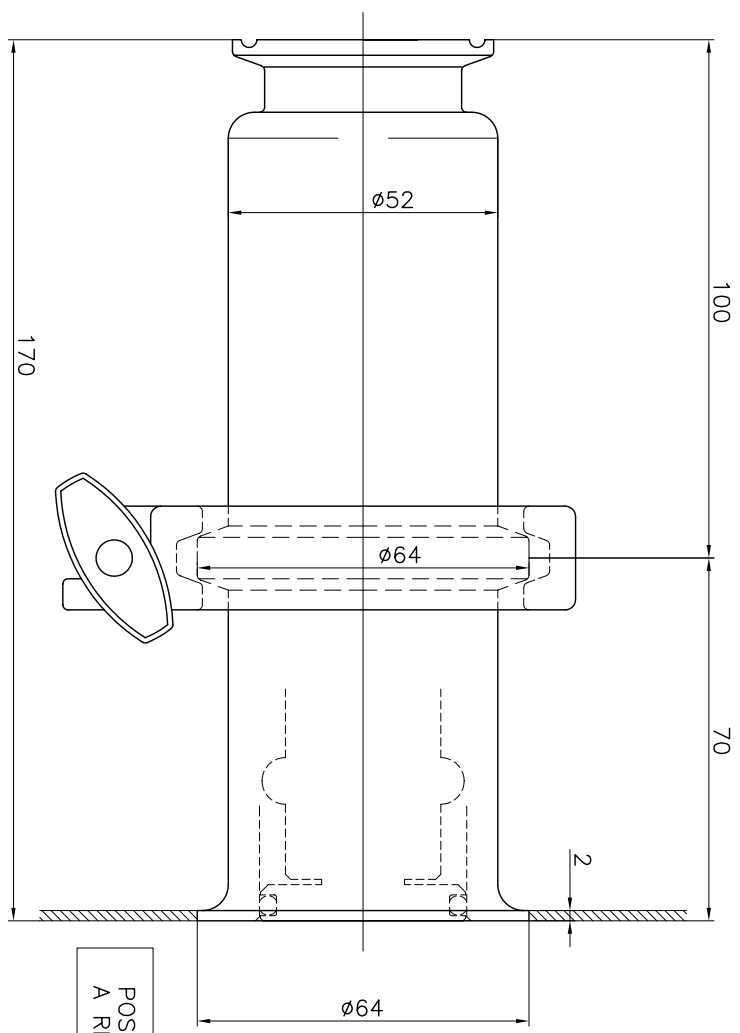
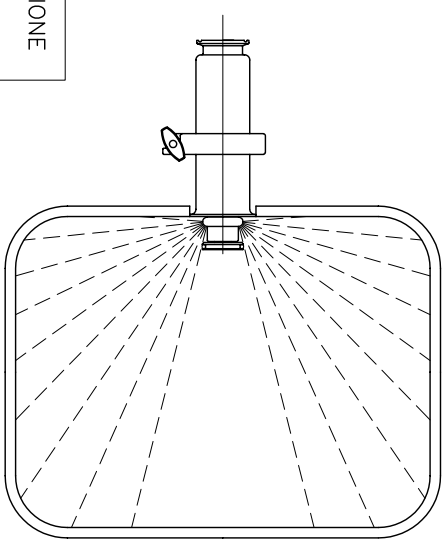
DISIGN.: CR | CONTR.: DM
DATA: 12.01.09
MOD.

scala 1:1 A3 0



PRESSIONE BAR	PORTATA L/MIN.
1	10
2	15
3	19
4	22
5	24
6	27
7	29
8	31

PRESSIONE MINIMA PER TRASLAZIONE COMPLETA 0.5 BAR

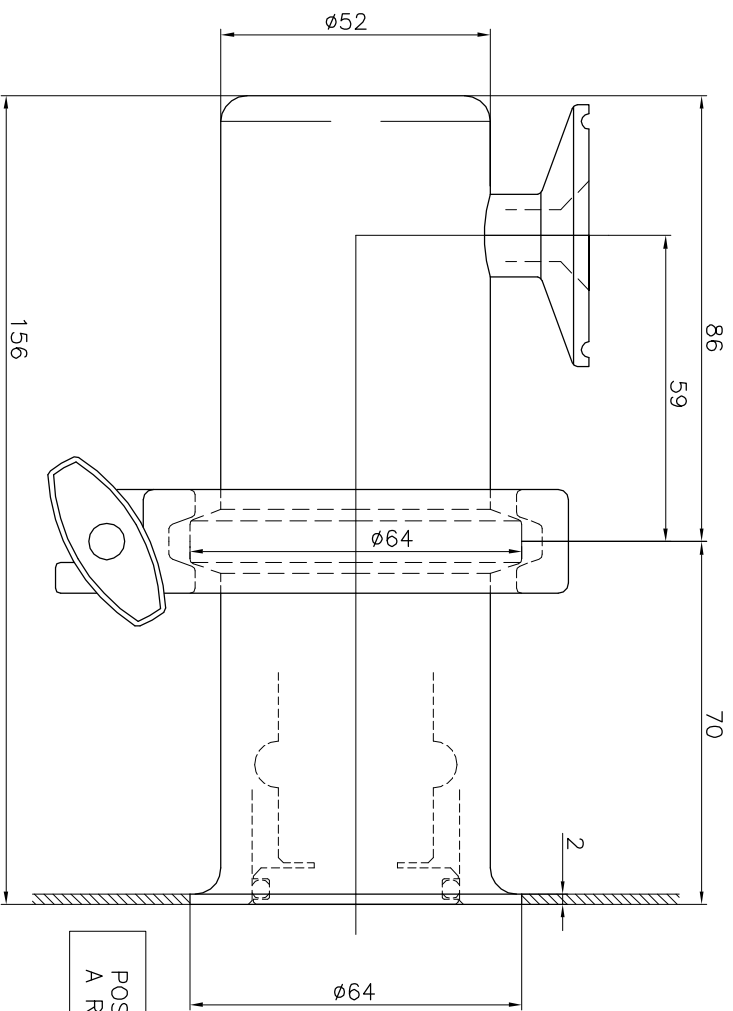
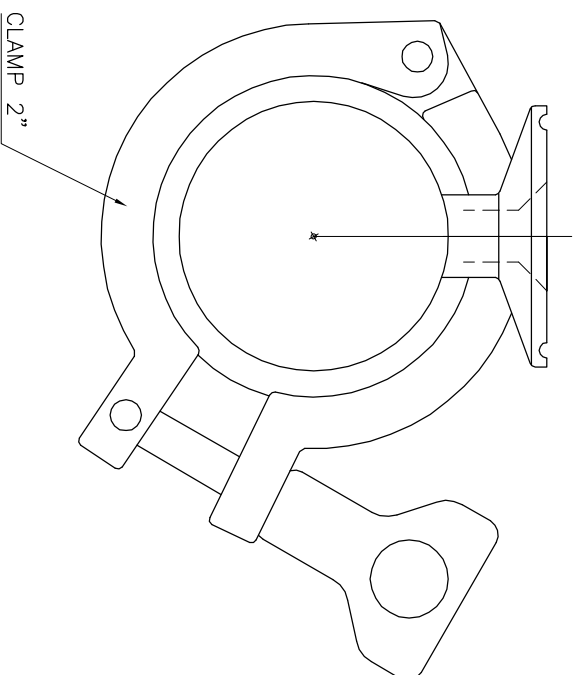
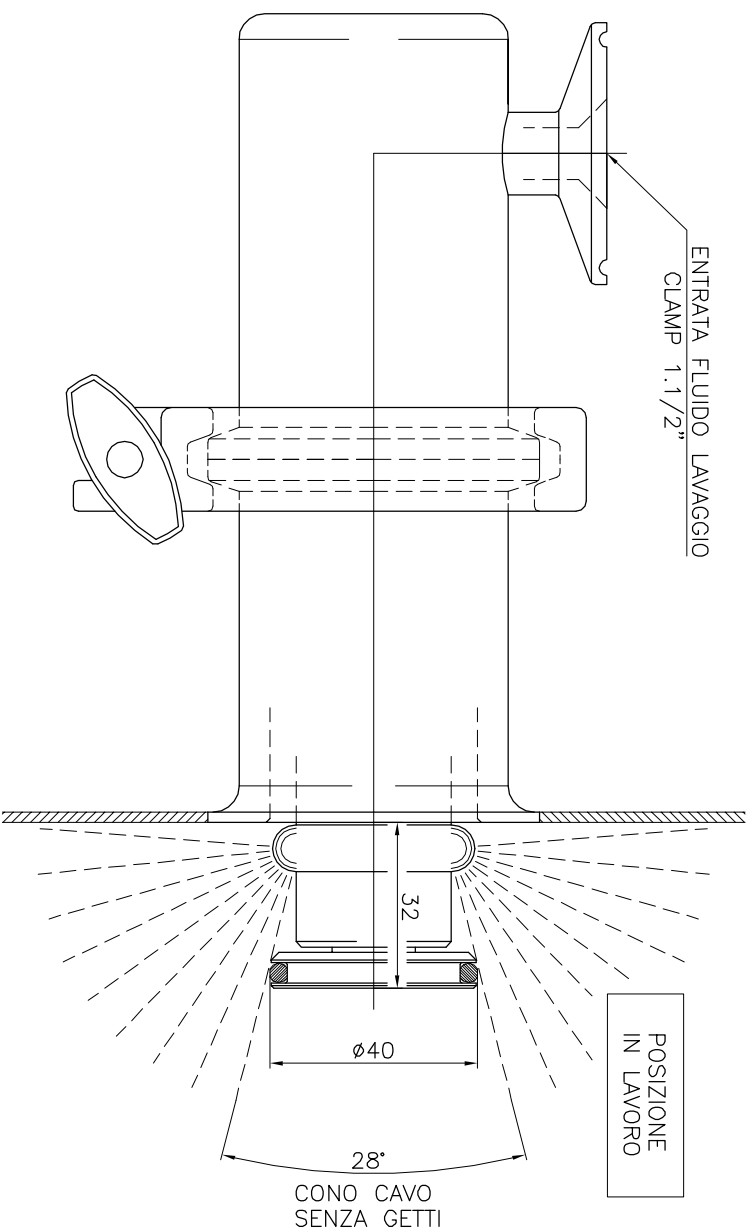


POSIZIONE A RIPOSO

RUGOSITA' (UNI 4600)	MODIFICA	1	2	3	4	5
FOGLIO XXXX	DATA	XX.XX.XX				
GREZZO	TOLLERANZE GENERALI classe m	UNI-EN 22768/1				
∩ = √	0+6	6+30	30+120	120+400	400+1000	1000+2000
SGROSS. 3/2/	±0.1	±0.2	±0.3	±0.5	±0.8	±1.2
∇ = √	NOTE:					
FINITURA 1g/	MATERIALE:	AISI 316				
∇∇ = √						
RETTIFICA 0g/	DESCRIZIONE:	AUTOROTANTE A SCOMPARRA TRASLAZIONE FLUIDO LAVAGGIO				
∇∇∇ = √						
	codice:	RT	111.AB.01			
	SCALA	1:1	A3	0		
	DISIGN.: CR	CONTR.: DM				
	DATA:	27.10.06				
	MOD.					

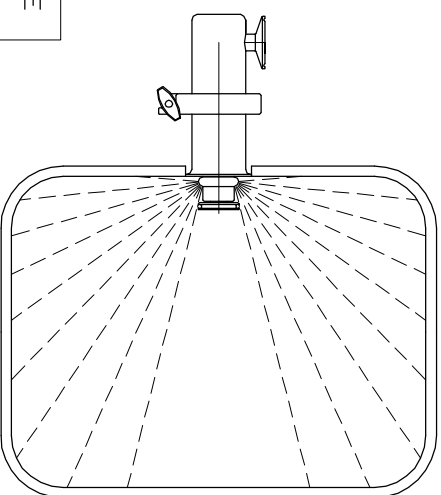
file: RT 111.AB.01 comm





PRESSIONE BAR	PORTATA L/MIN.
1	10
2	15
3	19
4	22
4	24
5	27
6	29
7	29
8	31

PRESSIONE MINIMA PER TRASLAZIONE
COMPLETA 0.5 BAR



POSIZIONE
A RIPOSO

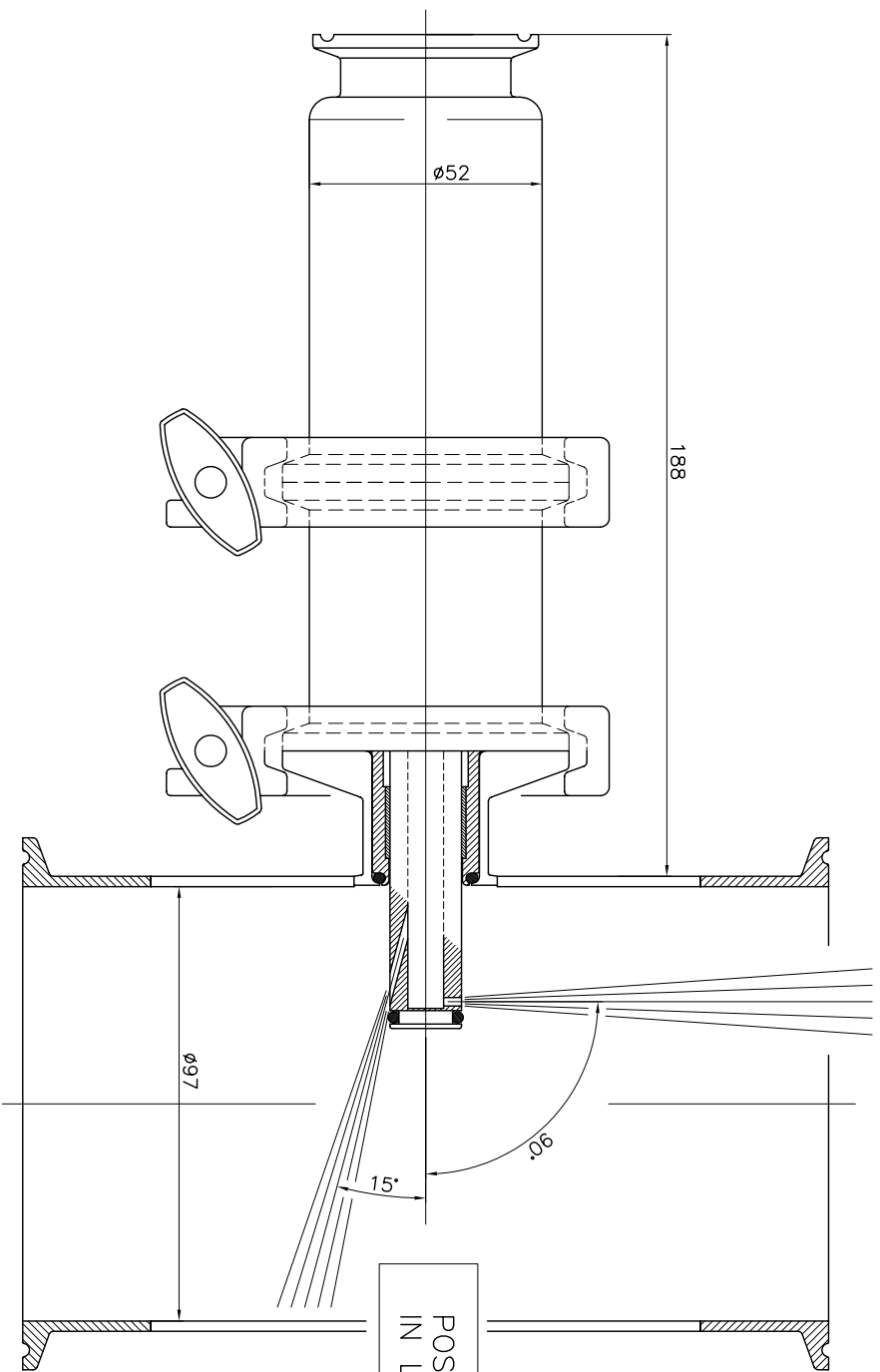
POSIZIONE
IN LAVORO

CONO CAVO
SENZA GETTI

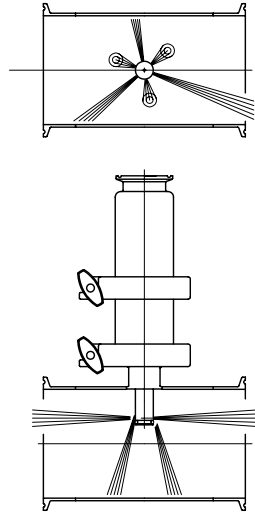
RUGOSITA' (UNI 4600)	MODIFICA	1	2	3	4	5
FOGLIO	XXXX					
GREZZO	DATA	XX-XX-XX				
$\sim = \sphericalangle$	TOLLERANZE GENERALI classe m UNI-EN 22768/1					
SGROSS. $\sphericalangle = \sphericalangle$	0+6	6+30	30+120	120+400	400+1000	1000+2000
$\nabla = \sphericalangle$	± 0.1	± 0.2	± 0.3	± 0.5	± 0.8	± 1.2
FINITURA $\sphericalangle = \sphericalangle$	NOTE:					
RETTIFICA $\sphericalangle = \sphericalangle$	MATERIALE: AISI 316					
DESCRIZIONE: AUTOROTANTE A SCOMPARRA	DESCRIZIONE: TRASLAZIONE FLUIDO LAVAGGIO					
codice: RT	111.AA.01					
Scala: 1:1	A3 0					
DISIGN.: CR	ICONTNR.: DM					
DATA: 27.10.06	MOD.					

file: RT 111.AA.01 comm

Bonomati
CLEANING HEADS
MONTECOHIO E. (RE) - ITALY

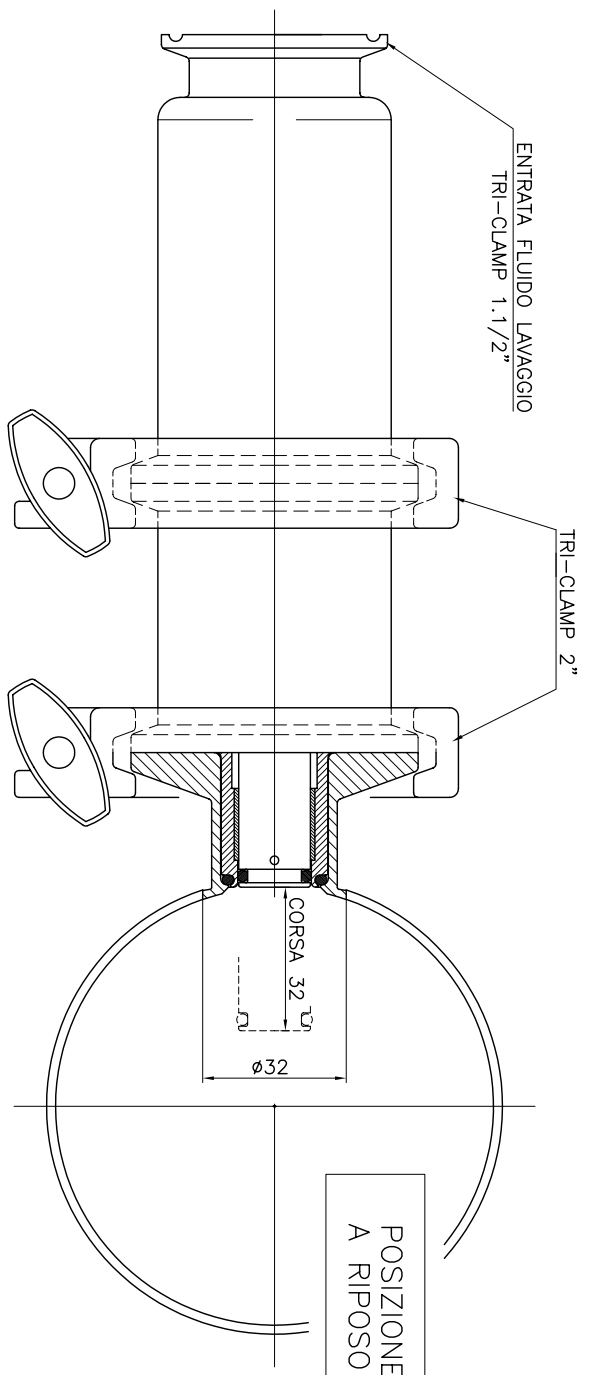


N° 3 UGELLI Ø 1.9 CON ANGOLO ASSIALE 15°
 N° 3 UGELLI Ø 1.9 CON ANGOLO ASSIALE 90°
 UGELLI RADIALMENTE ALTERNATI ED EQUIDISTANTI



PRESSIONE BAR	PORTATA L/MIN.
1	8.2
2	11.0
3	13.8
4	15.0
5	16.8
6	18.7
7	20.0

PRESSIONE MINIMA PER TRASLAZIONE
 COMPLETA 1 BAR



RUOSITA' (UNI 4600)	MODIFICA	1	2	3	4	5
FOGLIO	xxxx					
DATA	xxxx.xx					
GREZZO	TOLLERANZE GENERALI classe m UNI-EN 22768/1					
	0+0.6	6+30	30+120	120+400	400+1000	1000+2000
SGROSS	±0.1	±0.2	±0.3	±0.5	±0.8	±1.2
	NOTE: file: RT 120 AB cm					
FINITURA	MATERIALE: AISI 316					
RETTIFICA						
DESCRIZIONE: UGELLO A SCOMPARSA CON TRASLAZIONE CON FLUIDO LAVAGGIO	codice:	RT	130	AB		
	scala:	1:1	A3	0		
	DISIGN.: CRT	CONTR.: DM				
	DATA: 11.12.09	MOD.				



SERIE RW

RW SERIES

TESTINE AUTOROTANTI
LAVAGGIO VOLUMETRICO

SELFSPINNING HEADS
VOLUMETRIC WASHING

TESTINE DI LAVAGGIO VOLUMETRICHE
Disponibili in diverse versioni sia per alta che bassa pressione

VOLUMETRICAL CLEANING HEADS
Available in many versions for high and low pressure



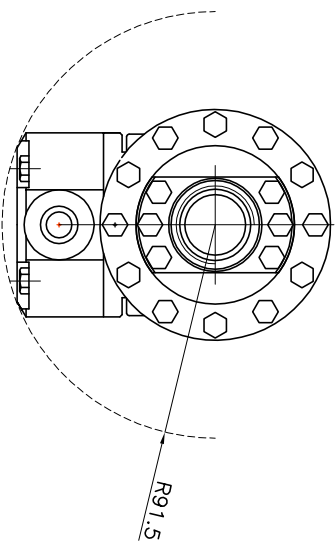
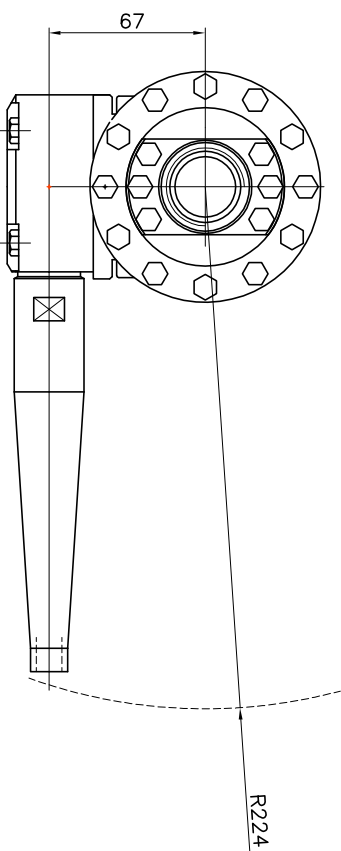
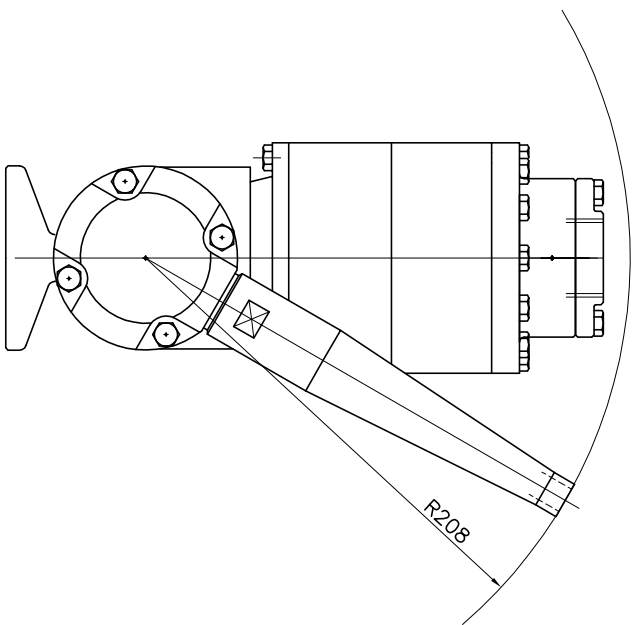
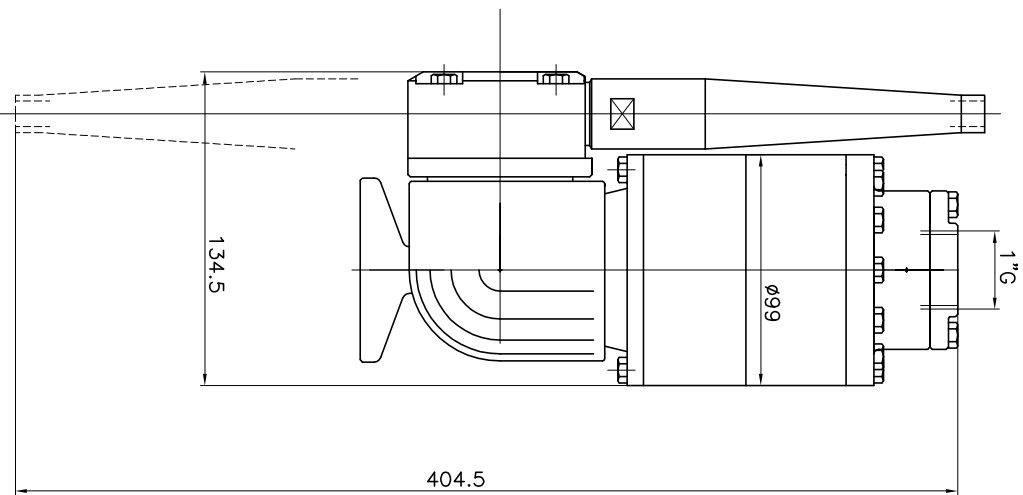
AQUAMOTOR

È un sistema di movimento autorotante per testine di lavaggio la cui velocità di rotazione dipende dai seguenti fattori: portata, posizione degli ugelli, viscosità dell'olio.

It's a selfspinning device for cleaning heads with spinning speed depending on: water flow, nozzle position, oil viscosity.



rOtojet



TECHNICAL DATA

ORING	NBR - EPDM - VITON
SLIPPER	PTFE+CARBON FIBRE
BUSHING	ASI 316
FILTER	700 MICRON
NOZZLES POSITIONS	1
NOZZLES THREAD	3/4" G
OPERATING FLOW RANGE	60 - 200 L/min
OPERATING PRESSURE RANGE	5 - 30 bar
CENTER LINE MIN PASS THROUGH HOLE	448 mm
MANUAL MIN PASS THROUGH HOLE	240 mm
MAX OPERATING TEMPERATURE	90 °C
MATERIAL	INOX AISI 316
CONICAL GEARS	FIXED Z=59 ROTATING Z=61
MODULE	1
DIFFUSER SPEED SETTING OPENINGS	4
TESTING DIFFUSER OPENING	3-6-9-12
ROTATION SPEED	SEE CHART
FULL CYCLE	61 ROTATIONS
FULL CYCLE TIME	3,8 min AT 16 RPM
WEIGHT	9,6 KG

PORTATA FLOW L/MIN	APERTURA DIFFUSORE DIFFUSER OPENING		
	3	3/6	3/6/9
60	12	8	3/6/9/12
80	16	12	9
100	15	11	
120	18	13	11
140	14	16	13
160	18	18	14
180			16
200			16

VELOCITA' ROTAZIONE CIR/MIN
SPINNING SPEED RPM

RUGOSITA' (UNI 4600)	MODIFICA	1	2	3	4	5
FOGLIO XXXX	DATA	XX.XX.XX				
GREZZO	TOLLERANZE GENERALI classe m UNI-EN 22768/1	0-6	6-30	30-120	120-400	400-1000
		± 0.1	± 0.2	± 0.3	± 0.5	± 0.8
SGROSS.	VERSIONE 04 CON FILTRO	3/2				
		± 1.2				
FINITURA 1/g/	MATERIALE:					
RETIFICA 0/g/						
VVV = 0/g/	DESCRIZIONE: INSTALLATION DRAWING RW 240A TANK CLEANING VERSION					
	CODICE: RW 240 A					

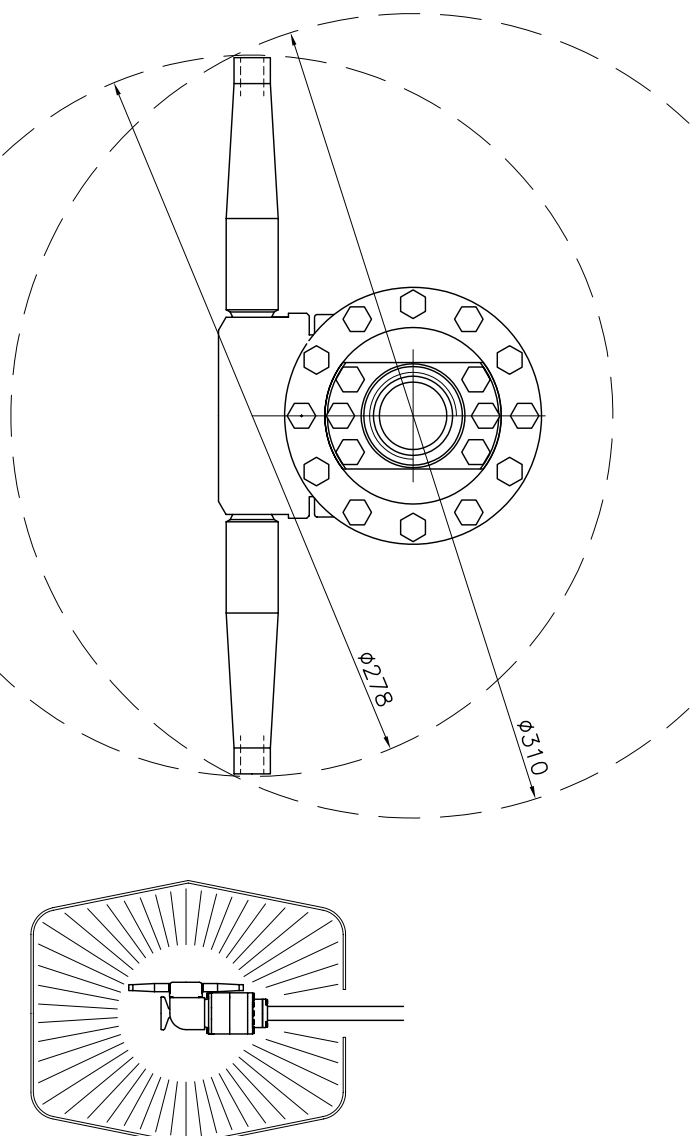
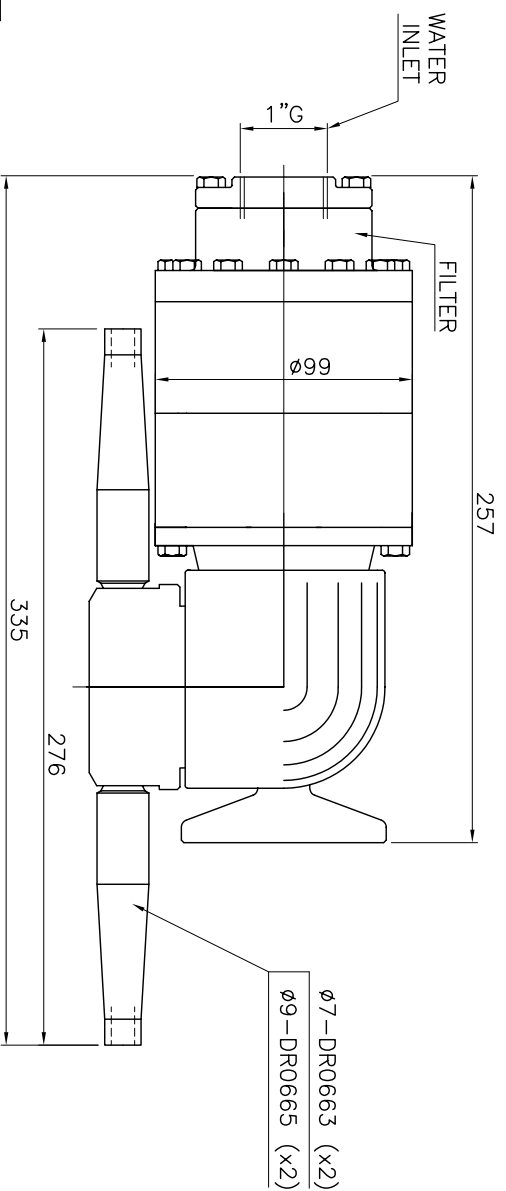


MONTECCHIO E. (RE) - ITALY
DISEGN.: CRT/CONTR.: DM
DATA: 03.01.06 MOD.
SCALA 1:1 A3 4

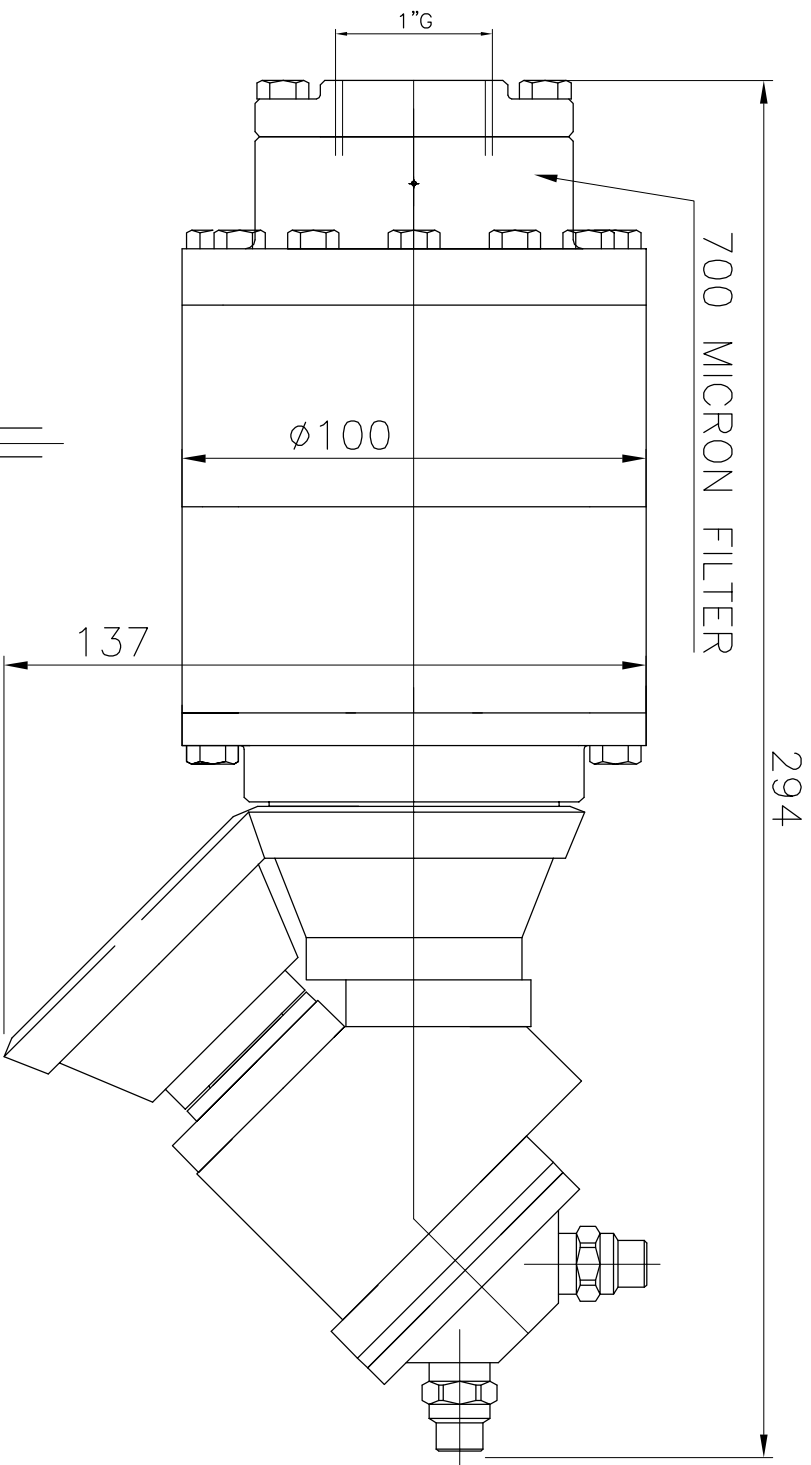
DIFFUSER OPENING				
	3	3/6	3/6/9	3/6/9/12
60	12	8		
80	16	12	9	
100		15	11	
120		18	13	11
140			16	13
160			18	14
180				16
200				16
SPINNING SPEED RPM				

TECHNICAL DATA

O.RING	NBR – EPDM – VITON
SLIPPER	PTFE+CARBON FIBRE
BUSHING	ANSI 316
FILTER	700 MICRON
NOZZLES POSITIONS	2
NOZZLES THREAD	3/8" G
TESTING NOZZLES	2 x 0000
OPERATING FLOW RANGE	60 – 200 L/min
TESTING FLOW	000 L/min
OPERATING PRESSURE RANGE	5 – 30 bar
TESTING PRESSURE	00 bar
CENTER LINE MIN PASS THROUGH HOLE	310 mm
MANUAL MIN PASS THROUGH HOLE	278 mm
MAX OPERATING TEMPERATURE	90 °C
MATERIAL	INOX ANSI 316
CONICAL GEARS	FIXED Z=59 ROTATING Z=61
MODULE	1
DIFFUSER SPEED SETTING OPENINGS	4
ROTATION SPEED	SEE CHART
FULL CYCLE	61 ROTATIONS
FULL CYCLE TIME	3.8 min AT 16 RPM
WEIGHT	9.6 KG



RUGOSITA' (UNI 4600)	MODIFICA	1	2	3	4	5
FOGLIO	XXXX					
GREZZO	DATA	XX XX XX				
TOLLERANZE GENERALI classe m UNI-EN 22768/1	0+6	6-30	30-120	120-400	400-1000	1000-2000
SGROSS.	±0.1	±0.2	±0.3	±0.5	±0.8	±1.2
NOTE:						
FINITURA 1.6/	DESCRIZIONE: RW 220 A					
RETTIFICA 0.8/	APPLICATION DRAWING					
SCALA	CODICE: RW 220 A					
DISIGN.: CR	CONTR.: DM					
DATA: 06.10.08	MOD.:					
1:3	A3					
	O					



APERTURA DIFFUSORE DIFFUSER OPENING				
PORTATA FLOW L/MIN	3	3/6	3/6/9	3/6/9/12
60	12	8		
80	16	12	9	
100		15	11	
120		18	13	11
140			16	13
160			18	14
180				16
200				16

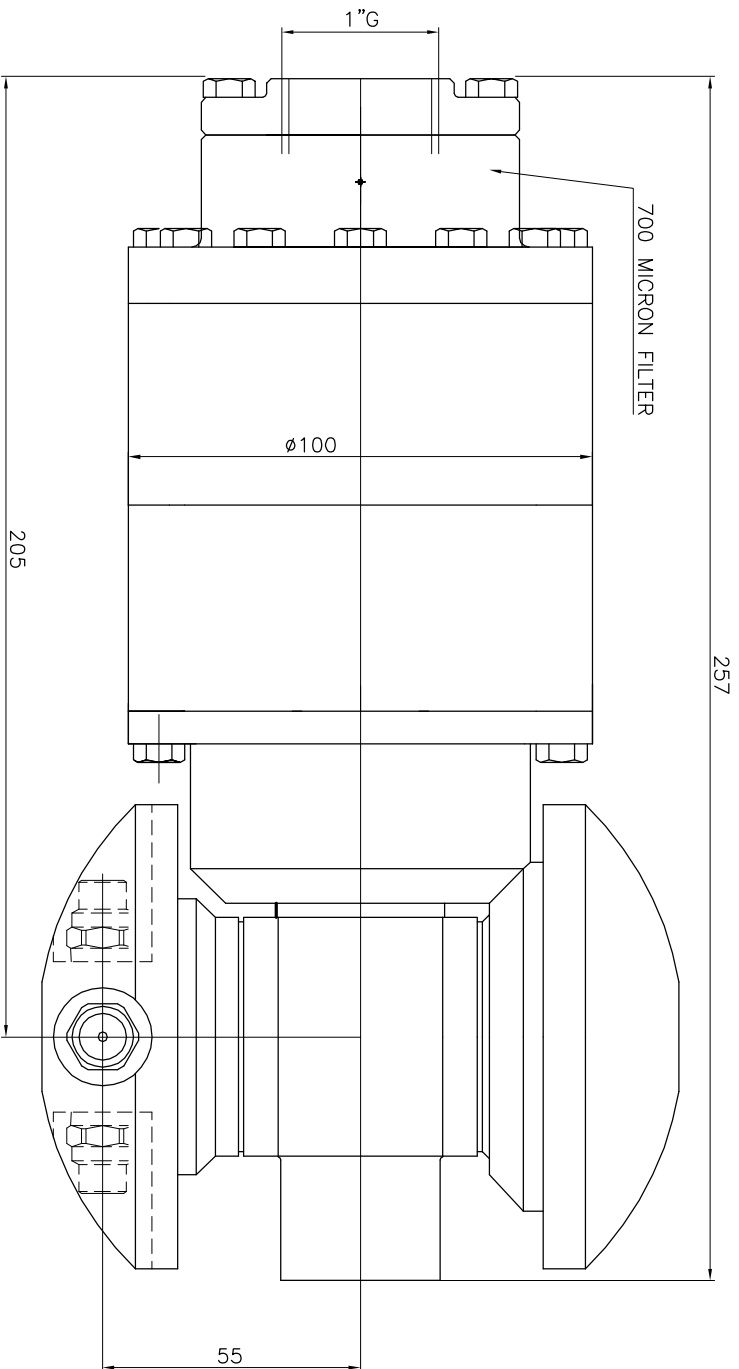
VELOCITA' ROTAZIONE GIR/MIN SPINNING SPEED RPM	
	16

PRESSIONE PRESSURE RANGE	5#200 BAR
PORTATA FLOW	60#200 L/MIN
TEMPERATURA MAX MAX TEMPERATURE	90°C
MATERIALE MATERIALS	ANSI 316 INOX STAINLESS STEEL
PESO WEIGHT	9.6 KG

CICLO COMPLETO IN 73 GIRI
COMPLETES PATTERN IN 73 ROTATIONS

NUMERO UGELLI NOZZLES POSITIONS	2 - 4
FILETTO UGELLI NOZZLES THREAD	1/4"NPT

RUGOSITA' (UNI 4800)	MODIFICA	1	2	3	4	5	 Bolonardi CLEANING HEADS MONTECCHIO E. (RE) - ITALY DATA: 16.01.08 MOD.
GREZZO	FOGLIO	XXXX					
~	DATA	XX.XX.XX					
∅	TOLLERANZE GENERALI close m. UNI-EN 22768/1						
SGROSS: 3.2/	0+6	6+30	30+120	120+400	400+1000	1000+2000	
∇ = 3.2/	±0.1	±0.2	±0.3	±0.5	±0.8	±1.2	
∇ = 1.6/	MATERIALE:						
RETTIFICA ∇ = 0.8/	DESCRIZIONE: INSTALLATION DRAWING RW 200AW						
	CODICE:	RW 200AW					
		1:1	A3			0	



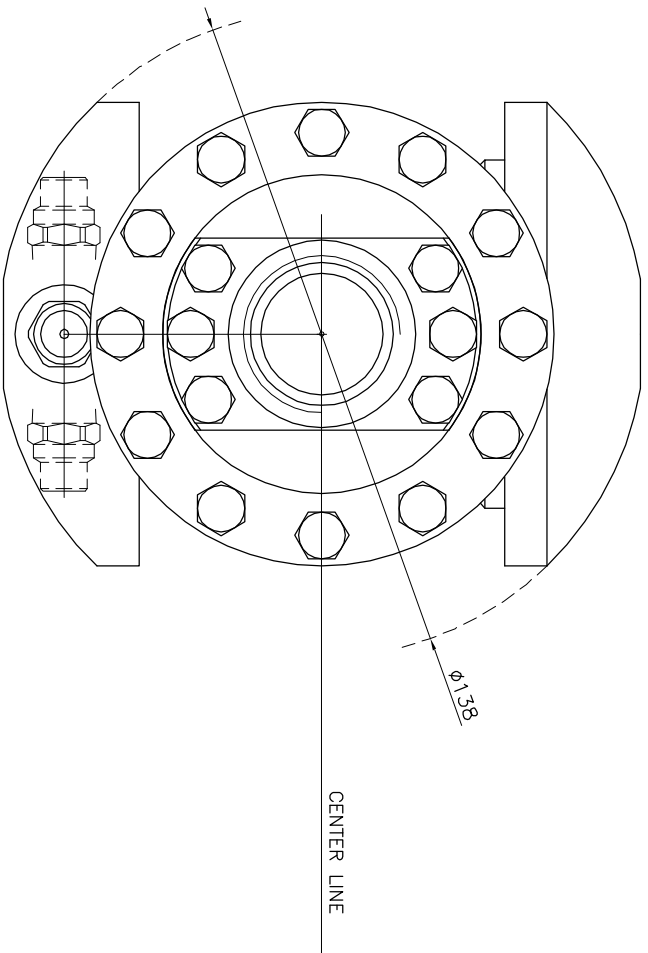
APERTURA DIFFUSORE DIFFUSER OPENING			
PORTATA FLOW L/MIN	3	3/6	3/6/9/12
60	12	8	
80	16	12	9
100		15	11
120		18	13
140			16
160			18
180			16
200			16

VELOCITA' ROTAZIONE GIR/MIN SPINNING SPEED RPM	
3/6	9
3/6/9	11
3/6/9/12	13

PRESSIONE PRESSURE RANGE	5#200 BAR
PORTATA FLOW	60#200 L/MIN
TEMPERATURA MAX MAX TEMPERATURE	90°C
MATERIALE MATERIALS	ANSI 316 INOX STAINLESS STEEL
PESO WEIGHT	9.6 KG

CICLO COMPLETO IN 73 GIRI
COMPLETES PATTERN IN 73 ROTATIONS

NUMERO UGELLI NOZZLES POSITIONS	4
FILETTO UGELLI NOZZLES THREAD	1/4"NPT



RUGOSITA' (UNI 4600)	MODIFICA	1	2	3	4	5
GREZZO	FOGLIO	XXXX				
~	DATA	XX.XX.XX				
∅	TOLLERANZE GENERALI	casse m. UNI-EN 22768/1				
±0.1	±0.2	±0.3	±0.5	±0.8	±1.2	
∇	SGROSS.	3.2/				
∇	FINITURA	1.6/				
∇∇	RETTIFICA	0.8/				
∇∇∇	MATERIALE:	DESCRIZIONE: INSTALLATION DRAWING RW 200AU DN 150 ON CENTER LINE VERSION				
	MOD.	CODICE: RW 200AU				



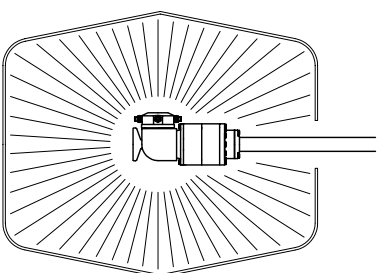
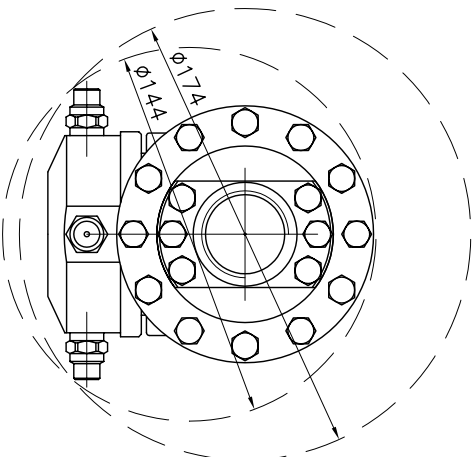
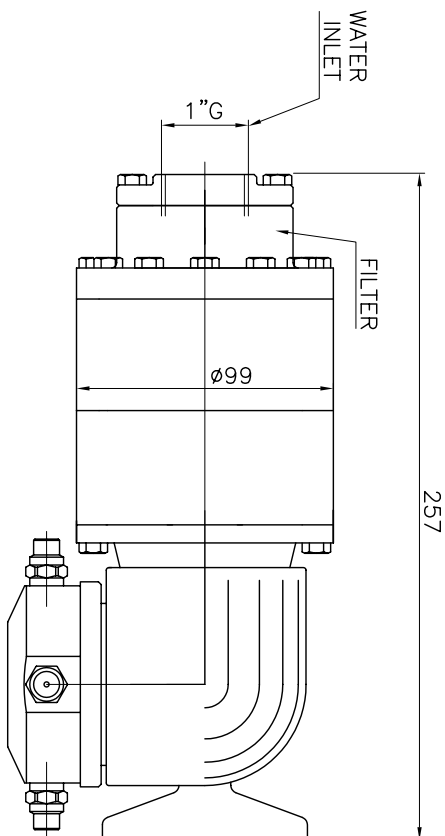
DATA: 12.10.07
DISEGN.: CR | CONTR.: DM
SP4A

1:1 A3 0

DIFFUSER OPENING				
	3	3/6	3/6/9	3/6/9/12
60	12	8		
80	16	12	9	
100		15	11	
120		18	13	11
140			16	13
160			18	14
180				16
200				16

TECHNICAL DATA

O.RING	NBR - EPDM - VITON
SLIPPER	PTFE+CARBON FIBRE
BUSHING	AISI 316
FILTER	700 MICRON
NOZZLES POSITIONS	2 - 4
NOZZLES THREAD	1/4"NPT
TESTING NOZZLES	0 x 0000
OPERATING FLOW RANGE	60 - 200 L/min
TESTING FLOW	000 L/min
OPERATING PRESSURE RANGE	5 - 200 bar
TESTING PRESSURE	000 bar
CENTER LINE MIN PASS THROUGH HOLE	174 mm
MANUAL MIN PASS THROUGH HOLE	144 mm
MAX OPERATING TEMPERATURE	90 °C
MATERIAL	INOX AISI 316
CONICAL GEARS	FIXED Z=59 ROTATING Z=61
MODULE	1
DIFFUSER SPEED SETTING OPENINGS	4
ROTATION SPEED	SEE CHART
FULL CYCLE	61 ROTATIONS
FULL CYCLE TIME	3.8 min AT 16 RPM
WEIGHT	9.6 KG



RUGOSITA' (UNI 4600)	MODIFICA	1	2	3	4	5
FOGLIO	XXXX					
DATA	XX.XX.XX					
GREZZO						
~ = ∅						
SGROSS.	TOLLERANZE GENERALI classe m UNI-EN 22768/1					
∇ = 3.2/	0-6 ±0.1	6-30 ±0.2	30-120 ±0.3	120-400 ±0.5	400-1000 ±0.8	1000-2000 ±1.2
FINITURA 1.6/	NOTE:					
∇∇ = 1.6/	DESCRIZIONE: RW 200 A					
RETTIFICA	APPLICATION DRAWING					
∇∇∇ = 0.8/						

Bonomati
CLEANING HEADS

MONTECCHIO E. (RE) - ITALY
DISIGN.: CR ICONTR.: DM
DATA: 06.10.08 MOD.

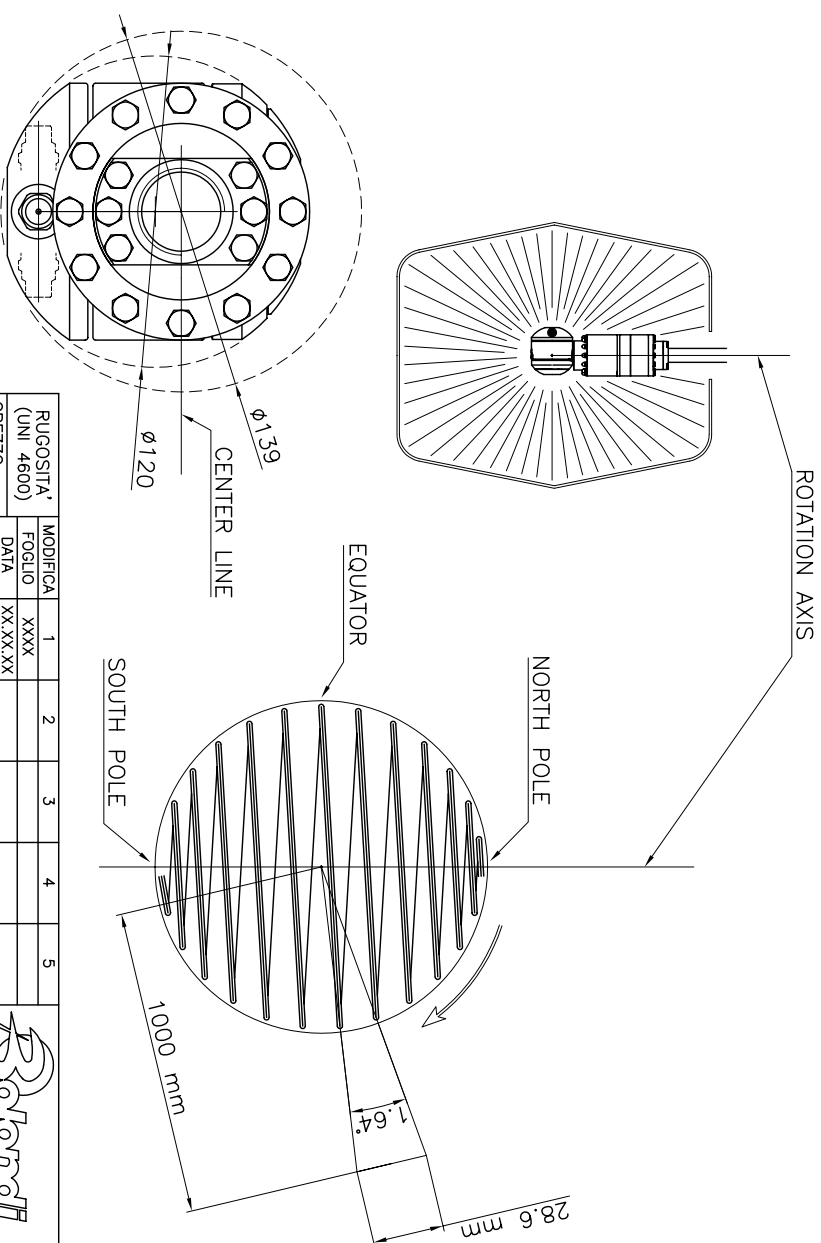
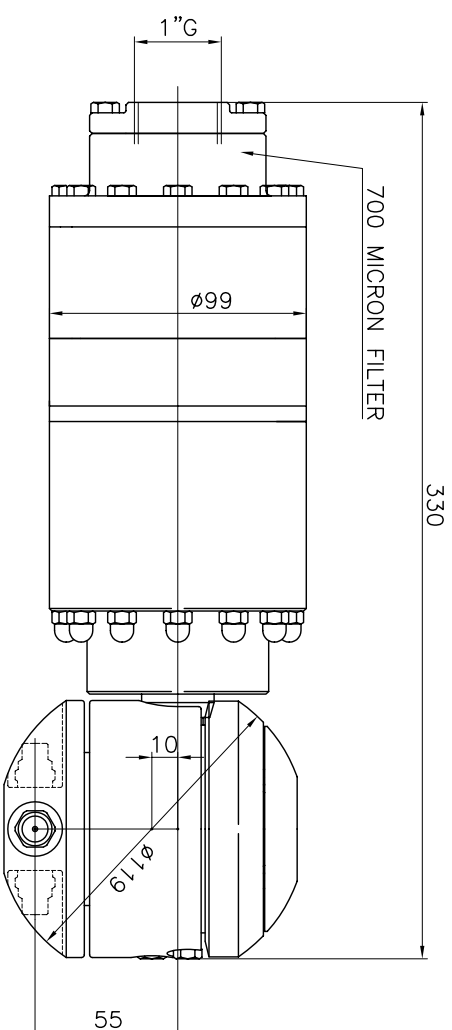
SCALA 1:3 A3 O
CODICE: RW 200 A

DIFFUSER OPENING			
3	3/6	3/6/9	3/6/9/12
60	22	15	
80	30	22	17
100		28	20
120		33	25
140			30
160			33
180			30
200			30

FLOW L/MIN		SPINNING SPEED RPM	
60	22	15	
80	30	22	17
100		28	20
120		33	25
140			30
160			33
180			30
200			30

TECHNICAL DATA

O.RING	NBR - EPDM - VITON
SLIPPER	PTFE+CARBON FIBRE
BUSHING	AISI 316
FILTER	700 MICRON
NOZZLES POSITIONS	2
NOZZLES THREAD	1/4"NPT
TESTING NOZZLES	0000
OPERATING FLOW RANGE	60 - 200 L/min
TESTING FLOW	000 L/min
OPERATING PRESSURE RANGE	5 - 200 bar
TESTING PRESSURE	000 bar
CENTER LINE MIN PASS THROUGH HOLE	139 mm
MANUAL MIN PASS THROUGH HOLE	120 mm
MAX OPERATING TEMPERATURE	90 °C
MATERIAL	INOX AISI 316
PARALLEL PITCH	1.64* FOR EACH ROTATION
PARALLEL PITCH AT 1m DISTANCE	28.6 mm
DIFFUSER SPEED SETTING OPENINGS	4
TESTING DIFFUSER OPENING	X/X/X/X
ROTATION SPEED	SEE CHART
FULL CYCLE	54 ROTATIONS
FULL CYCLE TIME	2.7 min AT 20 RPM
WEIGHT	9.6 KG



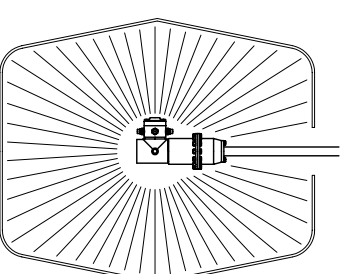
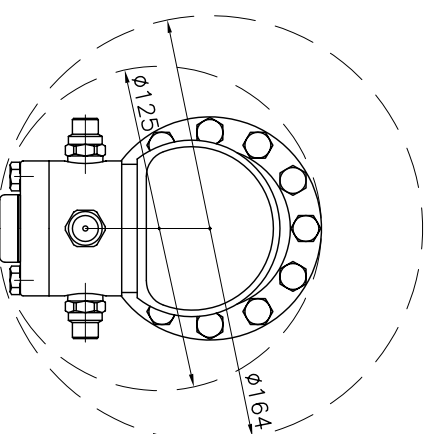
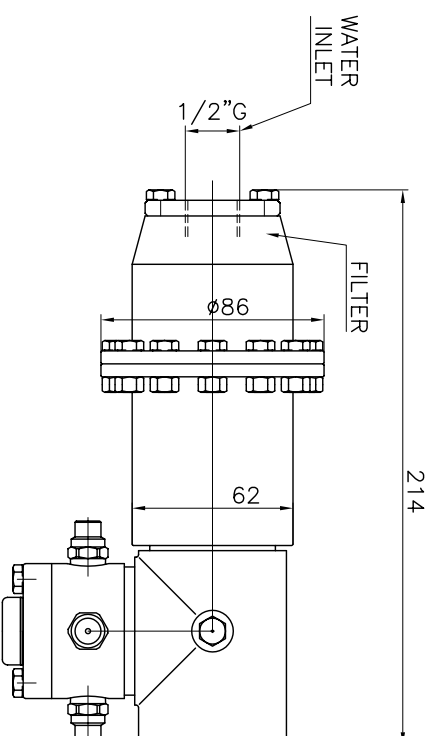
RUGOSITA' (UNI 4600)	MODIFICA	1	2	3	4	5
FOGLIO	xxxx					
DATA	xx.xx.xx					
GREZZO						
~ = ∅	TOLLERANZE GENERALI classe m UNI-EN 22768/1	0±6	6±30	30±120	120±400	400±1000
SGROSS.		±0.1	±0.2	±0.3	±0.5	±0.8
∇ = 3/2	NOTE:					±1.2
FINITURA	DESCRIZIONE: RW 200 AF					
∇∇ = 1.6/	APPLICATION DRAWING					
RETTIFICA						
∇∇∇ = 0.9/						


DISIGN.: CR	CONTR.: DM
DATA: 28.09.11	MOD.
SCALA	
1:2	A3
0	
CODICE:	RW 200AF

DIFFUSER CODE - HOLES		FLOW L/MIN
10	DF0401 - 6x1.50	
15	DF0403 - 12x2.30	
20	DF0403 - 12x2.30	
25	DF0405 - 12x2.70	
30	DF0406 - 12x3.00	
35	DF0408 - 12x3.40	
40	DF0419 - 18x3.20	
45	DF0419 - 18x3.20	
50	DF0420 - 18x3.40	
55	DF0420 - 18x3.40	
60	DF0420 - 18x3.40	

TECHNICAL DATA

O.RING	NBR - EPDM - VITON
SLIPPER	PTFE+CARBON FIBRE
BUSHING	AISI 316
FILTER	700 MICRON
NOZZLES POSITIONS	2 - 4
NOZZLES THREAD	1/4"NPT
TESTING NOZZLES	0 x 0000
OPERATING FLOW RANGE	10 - 60 L/min
TESTING FLOW	00 L/min
OPERATING PRESSURE RANGE	5 - 150 bar
TESTING PRESSURE	000 bar
CENTER LINE MIN PASS THROUGH HOLE	164 mm
MANUAL MIN PASS THROUGH HOLE	125 mm
MAX OPERATING TEMPERATURE	90 °C
MATERIAL	INOX AISI 316
CONICAL GEARS	FIXED Z=47 ROTATING Z=48
MODULE	1
ROTATION SPEED RANGE	15 TO 25 RPM
TESTING DIFFUSER CODE	DF0000 (SEE CHART)
FULL CYCLE	48 ROTATIONS
FULL CYCLE TIME	2.4 min AT 20 RPM
WEIGHT	3.2 KG

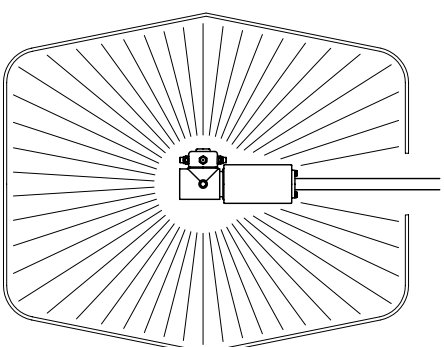
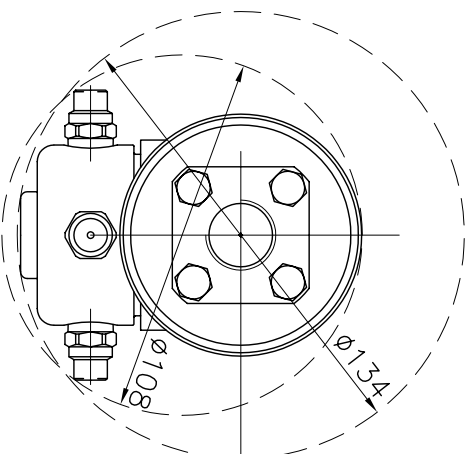
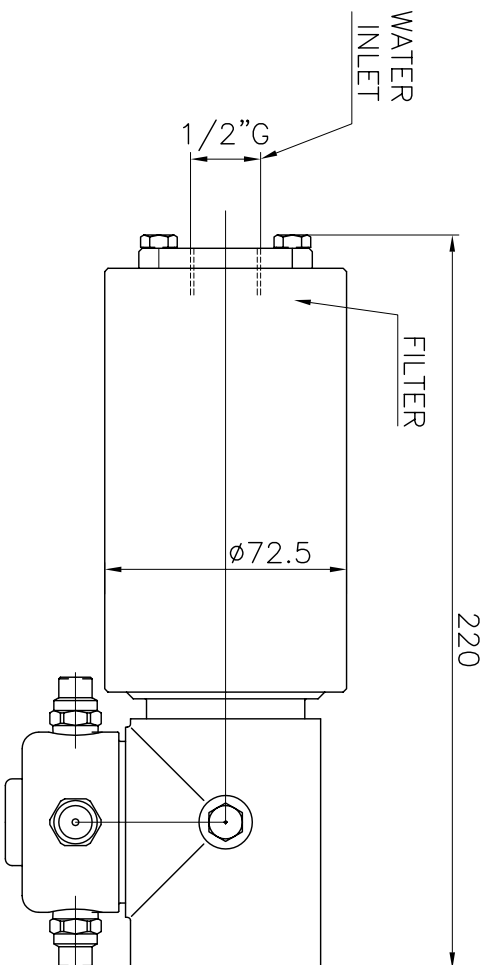


RUGOSITA' (UNI 4600)	MODIFICA	1	2	3	4	5
FOGLIO	XXXX					
DATA	XX.XX.XX					
GREZZO	TOLLERANZE GENERALI classe m UNI-EN 22768/1					
∅ = ∅	0-6 ±0.1	6-30 ±0.2	30-120 ±0.3	120-400 ±0.5	400-1000 ±0.8	1000-2000 ±1.2
SGROSS.	±0.1	±0.2	±0.3	±0.5	±0.8	±1.2
∇ = ∇	NOTE:					
FINITURA 1g/	DESCRIZIONE: RW 186 A					
∇∇ = ∇	APPLICATION DRAWING					
RETTIFICA						
∇∇∇ = ∇						
 CLEANING HEADS MONTECCHIO E. (RE) - ITALY DISIGN.: CR CONTR.: DM DATA: 06.10.08 MOD.: CODICE: RW 186 A SCALA: 1:3 A3 O						

DIFFUSER CODE - HOLES	
10	DF0401 - 6x1.50
15	DF0403 - 12x2.30
20	DF0403 - 12x2.30
25	DF0405 - 12x2.70
30	DF0406 - 12x3.00
35	DF0408 - 12x3.40
40	DF0419 - 18x3.20
45	DF0419 - 18x3.20
50	DF0420 - 18x3.40
55	DF0420 - 18x3.40
60	DF0420 - 18x3.40

TECHNICAL DATA

O-RING	NBR - EPDM - VITON
SLIPPER	PTFE+CARBON FIBRE
BUSHING	ASI 316
FILTER	700 MICRON
NOZZLES POSITIONS	2 - 4
NOZZLES THREAD	1/4"NPT
TESTING NOZZLES	0 x 0000
OPERATING FLOW RANGE	10 - 60 L/min
TESTING FLOW	00 L/min
OPERATING PRESSURE RANGE	5 - 150 bar
TESTING PRESSURE	000 bar
CENTER LINE MIN PASS THROUGH HOLE	134 mm
MANUAL MIN PASS THROUGH HOLE	108 mm
MAX OPERATING TEMPERATURE	90 °C
MATERIAL	INOX AISI 316
CONICAL GEARS	FIXED Z=46 ROTATING Z=47
MODULE	1
ROTATION SPEED RANGE	15 TO 25 RPM
TESTING DIFFUSER CODE	DF0000 (SEE CHART)
FULL CYCLE	47 ROTATIONS
FULL CYCLE TIME	2.4 min AT 20 RPM
WEIGHT	3.9 KG

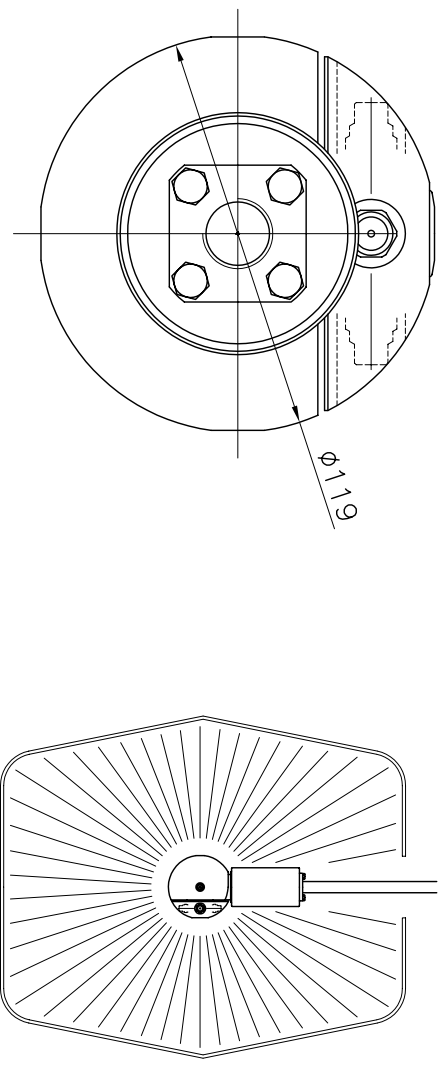
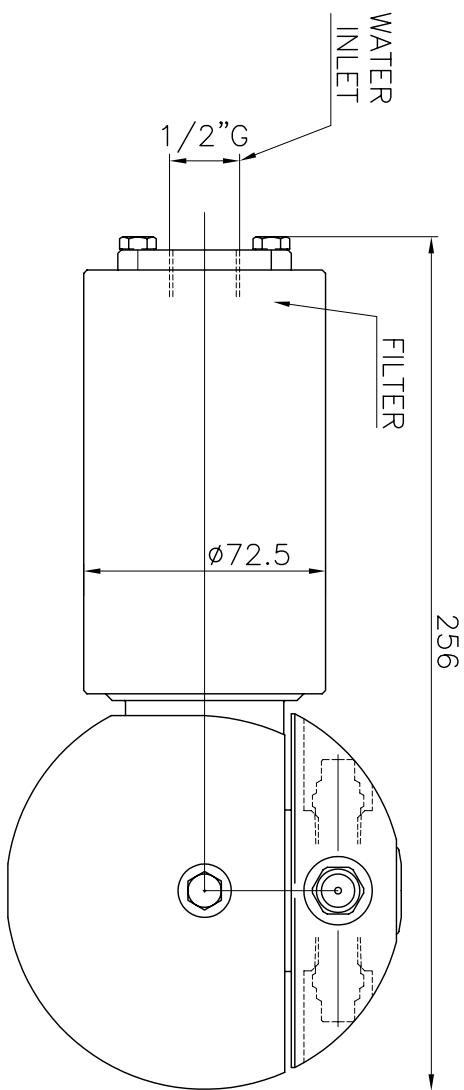


RUGOSITA' (UNI 4600)	MODIFICA	1	2	3	4	5
GREZZO	FOGLIO					
SGROSS. 32/	DATA					
FINITURA 1.6/	TOLLERANZE GENERALI classe m UNI-EN 22768/1	0±0.1	±0.2	±0.3	±0.5	±1.2
RETTIFICA 0.8/	NOTE:					
	DESCRIZIONE: RW 190A APPLICATION DRAWING					
	CODICE: RW 190A					
	SCALA 1:2 A4 O					
	DATA: 15.02.12					
	DISEGN.: CR CONTR.: DM					
	MONTECCHIO E. (RE) - ITALY					
	Boromoff CLEANING HEADS					

DIFFUSER CODE - HOLES	
10	DF0401 - 6x1.50
15	DF0403 - 12x2.30
20	DF0403 - 12x2.30
25	DF0405 - 12x2.70
30	DF0406 - 12x3.00
35	DF0408 - 12x3.40
40	DF0419 - 18x3.20
45	DF0419 - 18x3.20
50	DF0420 - 18x3.40
55	DF0420 - 18x3.40
60	DF0420 - 18x3.40

TECHNICAL DATA

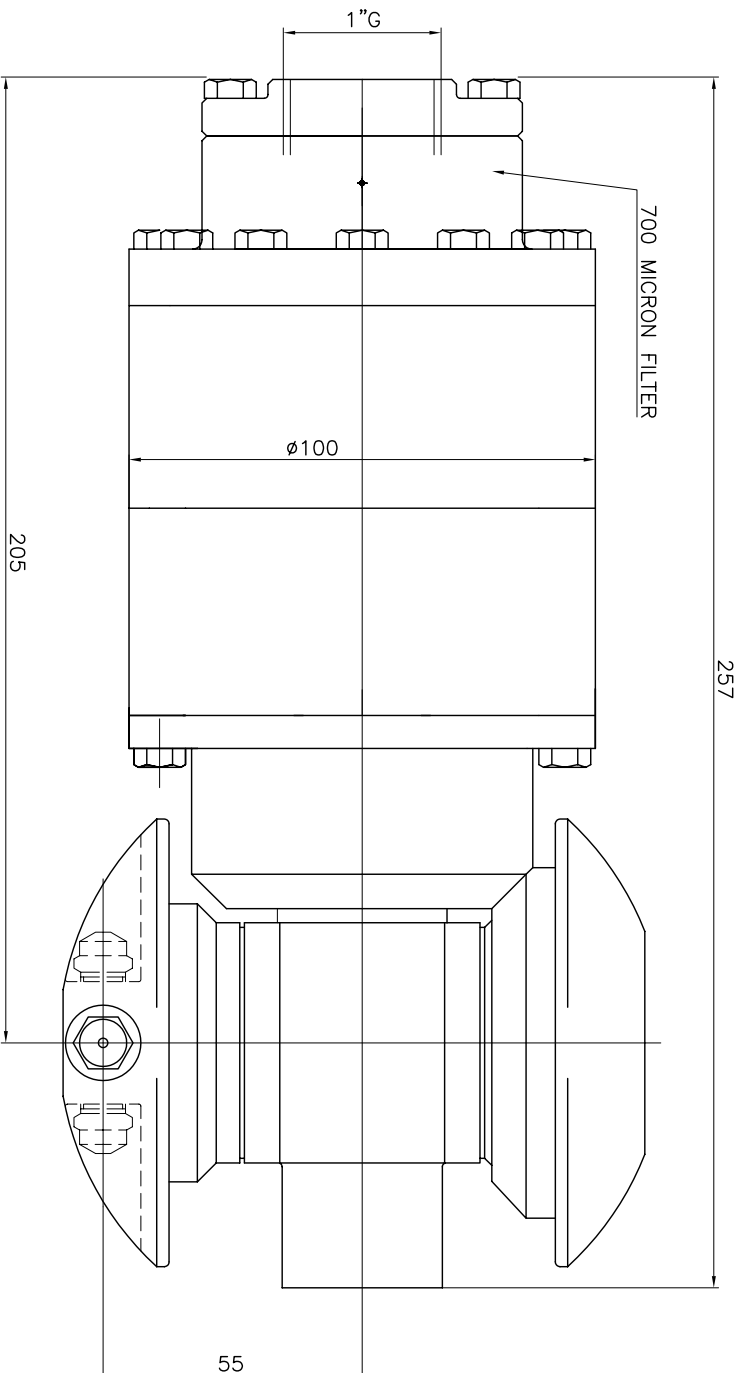
O.RING	NBR - EPDM - VITON
SLIPPER	PTFE+CARBON FIBRE
BUSHING	ALSI 316
FILTER	700 MICRON
NOZZLES POSITIONS	2 - 4
NOZZLES THREAD	1/4"NPT
TESTING NOZZLES	0 x 0000
OPERATING FLOW RANGE	10 - 60 L/min
TESTING FLOW	00 L/min
OPERATING PRESSURE RANGE	5 - 150 bar
TESTING PRESSURE	000 bar
CENTER LINE MIN PASS THROUGH HOLE	120 mm
MANUAL MIN PASS THROUGH HOLE	120 mm
MAX OPERATING TEMPERATURE	90 °C
MATERIAL	INOX ALSI 316
CONICAL GEARS	FIXED Z=46 ROTATING Z=47
MODULE	1
ROTATION SPEED RANGE	15 TO 25 RPM
TESTING DIFFUSER CODE	DF0000 (SEE CHART)
FULL CYCLE	47 ROTATIONS
FULL CYCLE TIME	2.4 min AT 20 RPM
WEIGHT	4.4 KG



RUGOSITA' (UNI 4600)	MODIFICA	1	2	3	4	5
GREZZO	FOGLIO					
SGROSS. 32/	DATA					
∇ = 1.6/	TOLLERANZE GENERALI classe m UNI-EN 22768/1	0±0.6	6±30	30±120	120±400	400±1000
∇∇ = 0.8/	NOTE:	±0.1	±0.2	±0.3	±0.5	±0.8
∇∇∇ = 0.8/						±1.2
	DESCRIZIONE:	RW 190A TK VERSION APPLICATION DRAWING				
	FINITURA	SCALE				
	RETTIFICA	1:2 A4 O				
		CODICE: RW 190A TK				

Botonoff
CLEANING HEADS
MONTECCHIO E. (RE) - ITALY

DISEGN.: CR | CONTR.: DM
DATA: 17.02.12 | MOD.



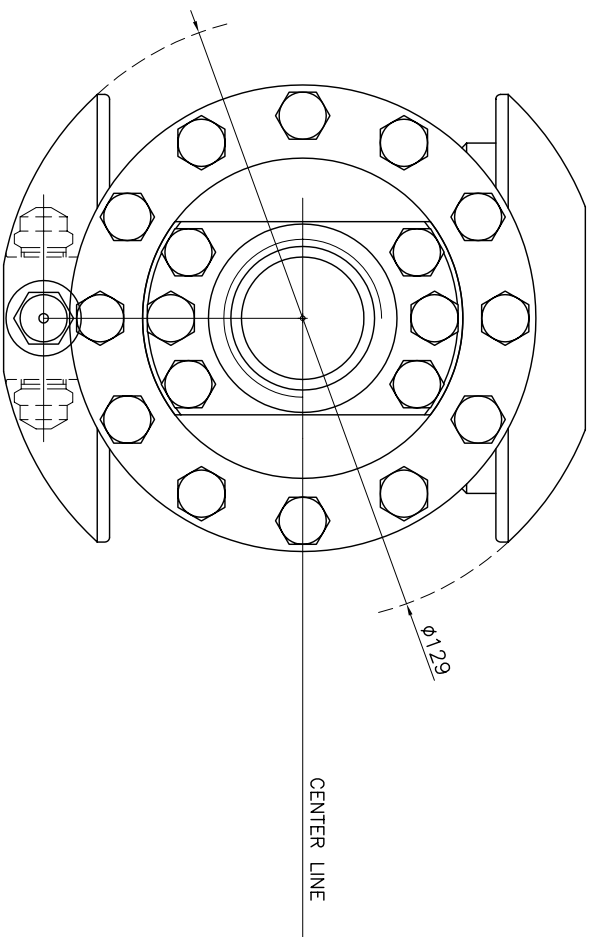
POSIZIONE DIFFUSORE DIFFUSER POSITION				
PORTATA FLOW L/MIN	1	2	3	4
15	20	9		
30		22	11	
45			18	11
60			24	15

VELOCITA' ROTAZIONE GIRI/MIN SPINNING SPEED RPM
5#200 BAR
15#60 L/MIN
90°C
ASI 316 INOX STAINLESS STEEL
9.6 KG

PRESSIONE PRESSURE RANGE	5#200 BAR
PORTATA FLOW	15#60 L/MIN
TEMPERATURA MAX MAX TEMPERATURE	90°C
MATERIALE MATERIALS	ASI 316 INOX STAINLESS STEEL
PESO WEIGHT	9.6 KG

CICLO COMPLETO IN 73 GIRI
COMPLETES PATTERN IN 73 ROTATIONS

NUMERO UGELLI NOZZLES POSITIONS	2 - 4
FILETTO UGELLI NOZZLES THREAD	1/8" G SPECIAL



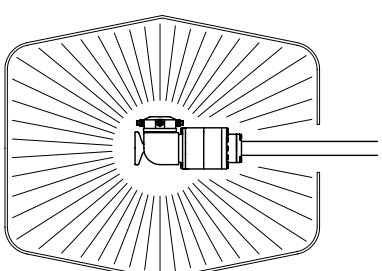
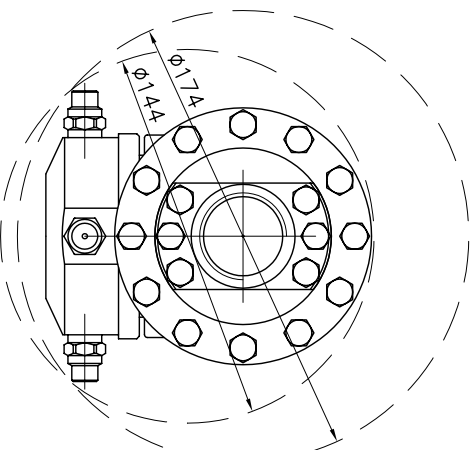
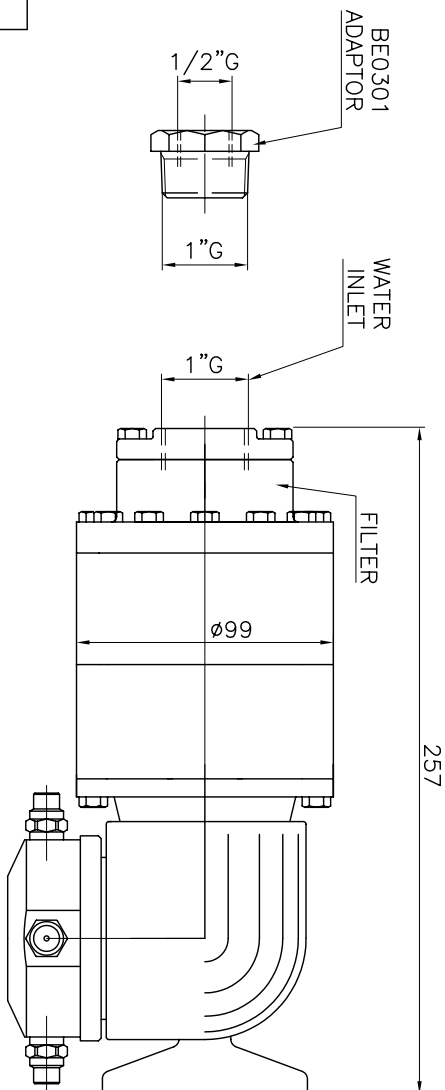
RUGOSITA' (UNI 4600)	MODIFICA	1	2	3	4	5	 CLEANING HEADS MONTECCHIO E. (RE) - ITALY DISEGN.: GR ICONTR.: DM DATA: 23.12.09 SCALE: 1:1 MOD.: A3 O
GREZZO	FOGLIO	XXXX					
~ = Ø	DATA	XX.XX.XX					
SGROSS. = 3/2	TOLLERANZE GENERALI classe m UNI-EN 22768/1						
∇ = ∇	0+6 6+30 120+120+400 1000+1000+2000						
∇∇ = 1/8	±0.1 ±0.2 ±0.3 ±0.5 ±0.8 ±1.2						
∇∇∇ = 0/8	MATERIALE:						
RETTIFICA	DESCRIZIONE: INSTALLATION DRAWING RW 086AU						
∇∇∇ = ∇	130 mm ON CENTER LINE VERSION						
	COOICE:	RW 086AU					


DIFFUSER POSITION	
1	2
13	6
30	15
45	7
60	12
	7
	16
	10

FLOW L/MIN	SPINNING SPEED	RPM

TECHNICAL DATA

O.RING	NBR – EPDM – VITON
SLIPPER	PTFE+CARBON FIBRE
BUSHING	AISI 316
FILTER	700 MICRON
NOZZLES POSITIONS	2 – 4
NOZZLES THREAD	1/4" NPT
TESTING NOZZLES	0 x 0000
OPERATING FLOW RANGE	15 – 60 L/min
TESTING FLOW	00 L/min
OPERATING PRESSURE RANGE	5 – 200 bar
TESTING PRESSURE	000 bar
CENTER LINE MIN PASS THROUGH HOLE	174 mm
MANUAL MIN PASS THROUGH HOLE	144 mm
MAX OPERATING TEMPERATURE	90 °C
MATERIAL	INOX AISI 316
CONICAL GEARS	FIXED Z=59 ROTATING Z=61
MODULE	1
DIFFUSER SPEED SETTING POSITIONS	4
ROTATION SPEED	SEE CHART
FULL CYCLE	61 ROTATIONS
FULL CYCLE TIME	3.8 min AT 16 RPM
WEIGHT	9.6 KG



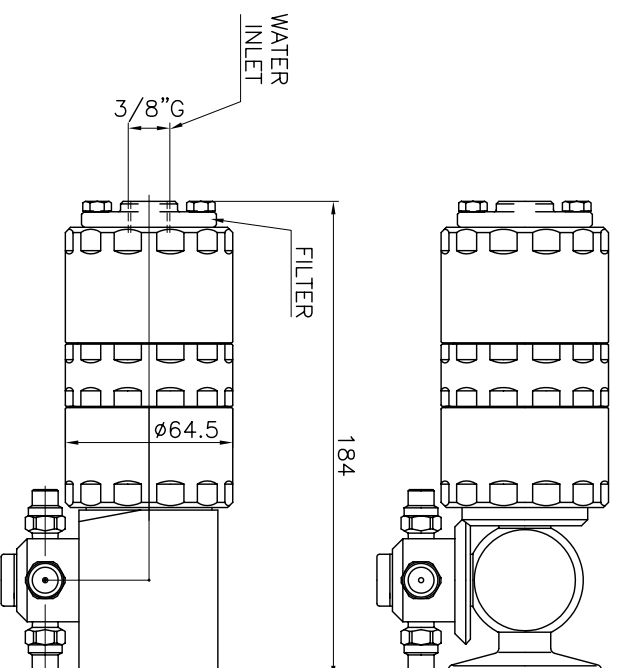
RUGOSITA' (UNI 4600)	MODIFICA	1	2	3	4	5
FOGLIO	XXXX					
DATA	XX.XX.XX					
GREZZO	TOLLERANZE GENERALI classe m UNI-EN 22768/1					
	0+-6	6+-30	30+-120	120+-400	400+-1000	1000+-2000
SGROSS.	±0.1	±0.2	±0.3	±0.5	±0.8	±1.2
NOTE:						
FINITURA 1,6/	DESCRIZIONE: RW 086 A					
VV = 1,6/	APPLICATION DRAWING					
RETTIFICA 0,8/						
VVV = 0,8/						
 CLEANING HEADS MONTECCHIO E. (RE) - ITALY DISIGN.: CR ICONTR.: DM DATA: 06.10.08 MOD.: SCALA 1:3 A3 O CODICE: RW 086 A						

DIFFUSER CODE - HOLES	
10	DF0210 - 6x1.50
15	DF0220 - 12x1.50
20	DF0222 - 12x1.90
25	DF0225 - 12x2.30
30	DF0226 - 12x2.70

FLOW L/MIN

TECHNICAL DATA

O.RING	NBR - EPDM - VITON
SLIPPER	PTFE+CARBON FIBRE
BUSHING	AISI 316
FILTER	700 MICRON
NOZZLES POSITIONS	2 - 4
NOZZLES THREAD	1/8"NPT
TESTING NOZZLES	0 x 0000
OPERATING FLOW RANGE	10 - 30 L/min
TESTING FLOW	00 L/min
OPERATING PRESSURE RANGE	5 - 150 bar
TESTING PRESSURE	000 bar
CENTER LINE MIN PASS THROUGH HOLE	122 mm
MANUAL MIN PASS THROUGH HOLE	94 mm
MAX OPERATING TEMPERATURE	90 °C
MATERIAL	INOX AISI 316
CONICAL GEARS	FIXED Z=47 ROTATING Z=48
MODULE	1
ROTATION SPEED RANGE	15 TO 25 RPM
FULL CYCLE	48 ROTATIONS
FULL CYCLE TIME	2.4 min AT 20 RPM
WEIGHT	2.7 KG

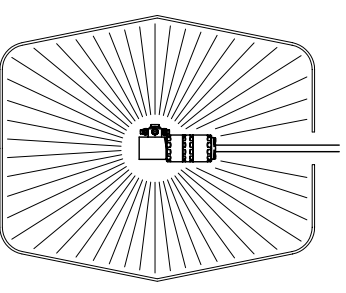
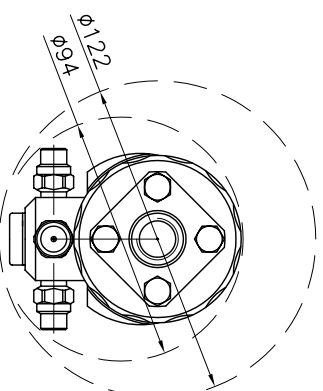


WITHOUT PROTECTION
SELF CLEANING

SENZA PROTEZIONE
AUTOPULENTE

WITH PROTECTION
STANDARD

CON PROTEZIONE
STANDARD



RUGOSITA' (UNI 4600)	MODIFICA	1	2	3	4	5
FOGLIO	XXXX					
DATA	XX.XX.XX					
GREZZO	TOLLERANZE GENERALI classe m UNI-EN 22768/1					
$\sim = \phi$	0+6 -6-30 30+120 120+400 400+1000 1000+2000					
SGROSS.	± 0.1 ± 0.2 ± 0.3 ± 0.5 ± 0.8 ± 1.2					
$\nabla = 3.2/$	NOTE:					
FINITURA 1.6/	DESCRIZIONE: RW 030 A					
$\nabla \nabla = 1/$	APPLICATION DRAWING					
RETTIFICA						
$\nabla \nabla \nabla = 0.8/$						



CLEANING HEADS

MONTECCHIO E. (RE) - ITALY

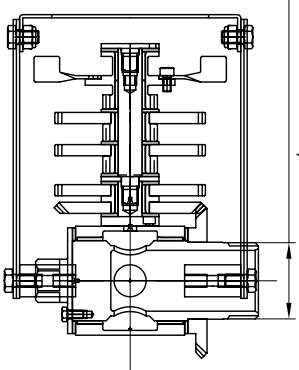
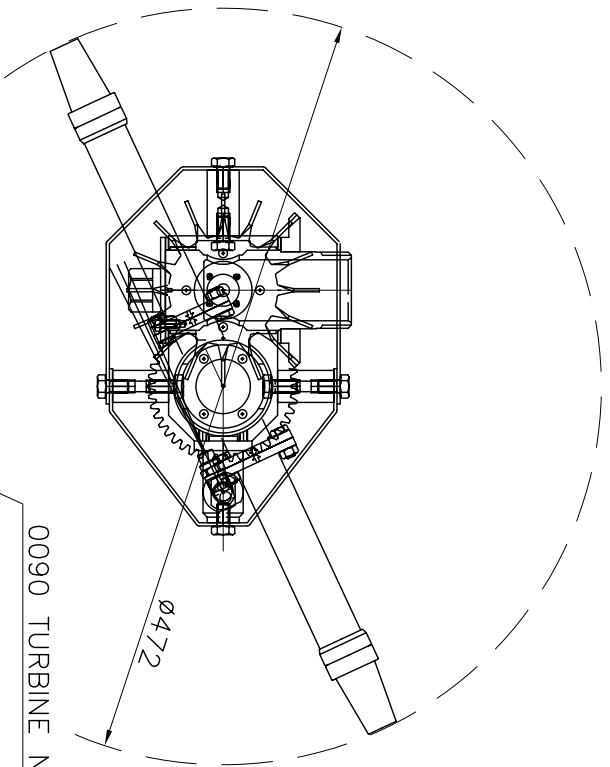
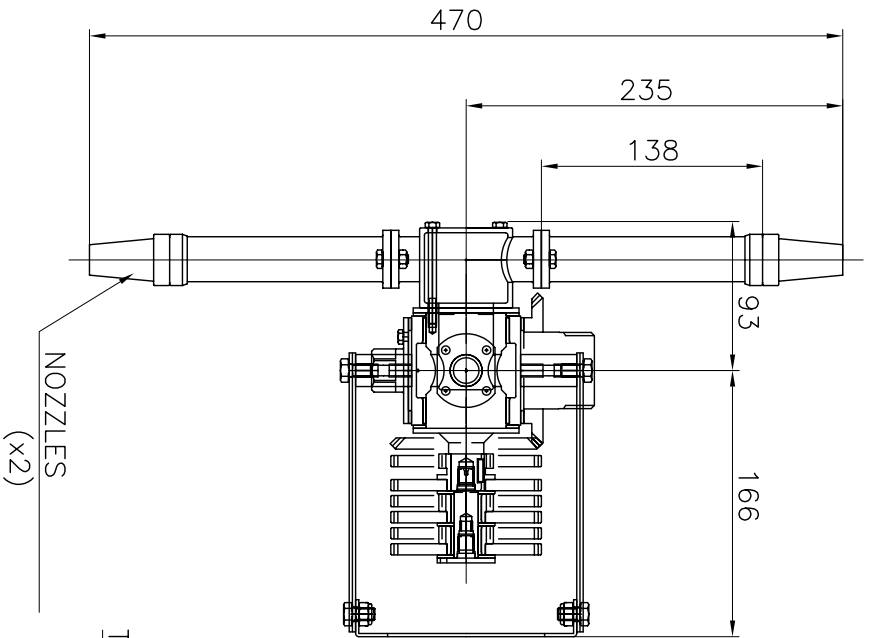
DISIGN.: CR ICONTR.: DM

DATA: 06.10.08 MOD.

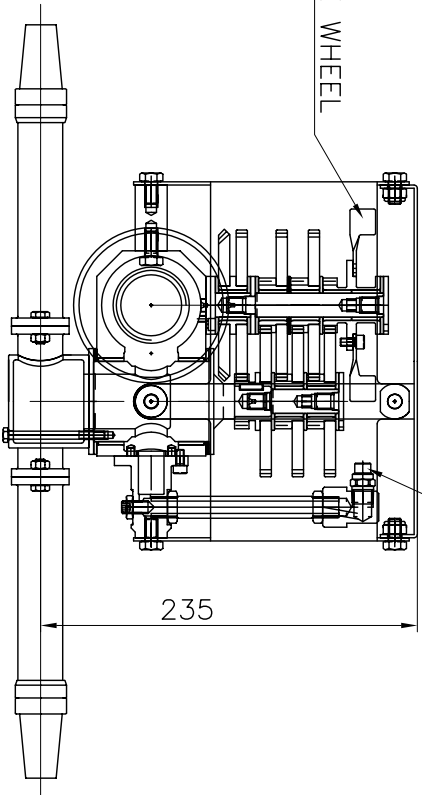
SCALA

1:3 A3 O

CODICE: RW 030 A



TURBINE WHEEL



MAX FLOW	600 L/min.
MAX PRESSURE	10 bar
NOZZLES POSITIONS	2
NOZZLES SIZE	7.5-10-11-14-15.5 mm
SHORT CYCLE TIME	4.7 to 9.4 min.
FULL CYCLE TIME	14.1 to 28.2 min.
DRIVE	REACTION
ROTATION SPEED	5 to 10 rpm
SPEED CONTROL	AERODYNAMIC
MATERIAL	INOX AISI 316
BUSHING MATERIAL	PEEK
MIN PASS THROUGH HOLE	472 mm
WEIGHT	7.5 Kg.

RUGOSITA' (UNI 4600)	MODIFICA	1	2	3	4	5
	FOGLIO					
GREZZO	DATA					
	TOLLERANZE GENERALI classe m UNI-EN 22768/1	0÷6	6÷30	30÷120	120÷400	400÷1000
SGROSS.	±0.1	±0.2	±0.3	±0.5	±0.8	±1.2
NOTE:						
FINITURA	MATERIALE:					
RETTIFICA	DESCRIZIONE: INSTALLATION DRAWING RW610A					
	CODICE:	RW610A				



MONTECCHIO E. (RE) - ITALY

DISIGN.: CR | CONTR.: DM

DATA: 20.04.11

SCALA

1:4

A3

0

RW610A

SERIE SW

SW SERIES

TESTINE AUTOROTANTI
LAVAGGIO VOLUMETRICO

SELFSPINNING HEADS
VOLUMETRIC WASHING

TESTINE DI LAVAGGIO SETTORIALI i

Idonee per lavare solamente una porzione del contenitore e per contenitori aperti

SECTOR CLEANING HEADS

Suitable for cleaning only a sector of the tank and for open tank



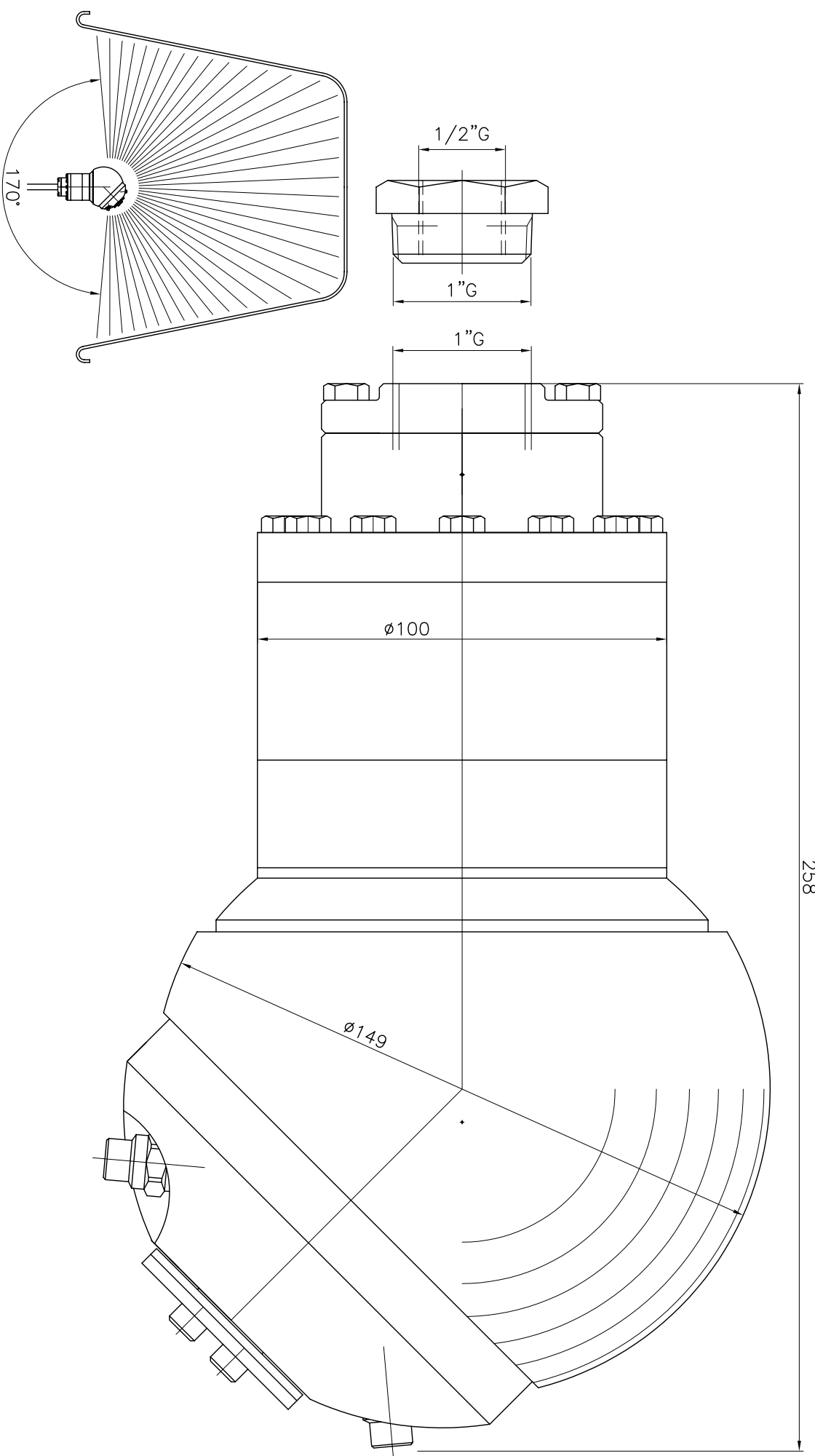
AQUAMOTOR

È un sistema di movimento autorotante per testine di lavaggio la cui velocità di rotazione dipende dai seguenti fattori: portata, posizione degli ugelli, viscosità dell'olio.

It's a selfspinning device for cleaning heads with spinning speed depending on: water flow, nozzle position, oil viscosity.



rOtojet



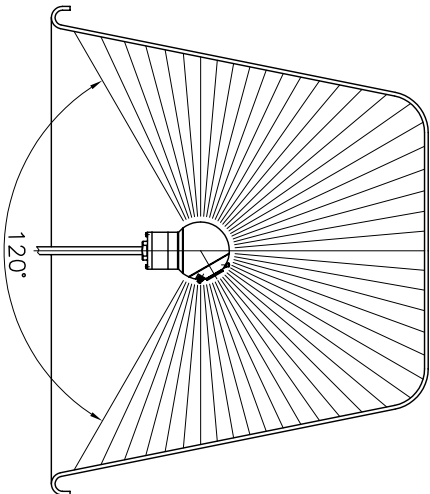
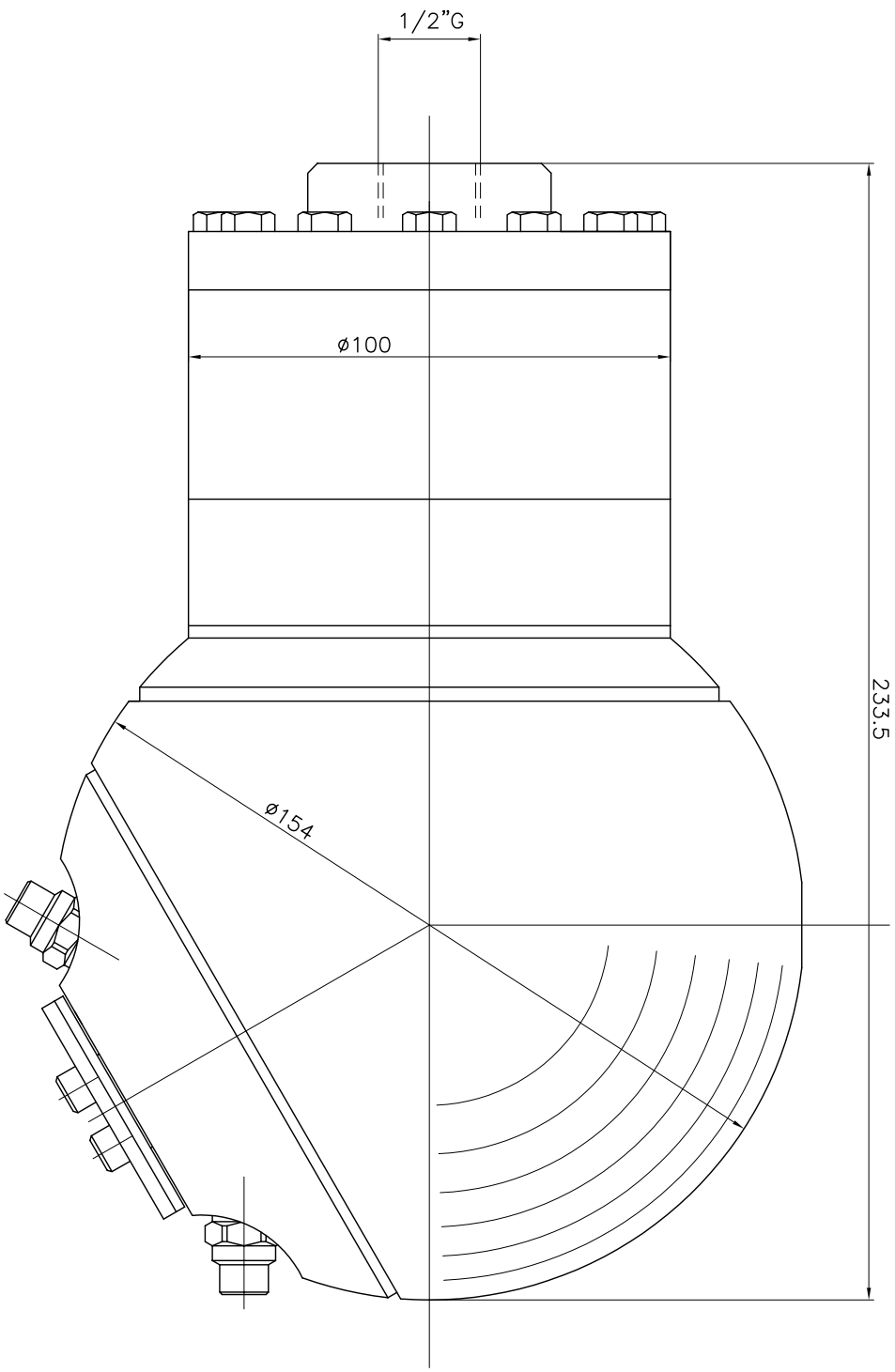
DATI TECNICI (I)	
temperatura max	90°C
pressione max	200 bar
portata max	30-120 l/min
velocità di rotazione	120 g/min
tempo ciclo breve	15"
tempo ciclo completo	30"
diametro minimo foro	160 mm
entrata	1/2" G
ugelli	1/4" G
massa	7.5 Kg

TECHNICAL DATA (GB)	
temperature max	90°C
pressure max	200 bar
flow max	30-120 l/min
spinning speed	120 g/min
short washing cycle time	15"
complete washing cycle time	30"
min. pass-through hole dia.	160 mm
water inlet	1/2" G-BSP-M
nozzle size	1/4" G-BSP-M
weight	7.5 Kg

RUGOSITÀ (UNI 4600)		MODIFICA				
GREZZO	FOGLIO	1	2	3	4	5
~ = φ	DATA	xx.xx.xx				
SGROSS. 3/2	TOLLERANZE GENERALI classe m UNI-EN 22768/1					
∇ = ∇	0+6	6-30	30+120	120+400	400+1000	1000+2000
FINITURA 1, φ	± 0.1	± 0.2	± 0.3	± 0.5	± 0.8	± 1.2
RETIFICA 0, φ	NOTE: VERSIONE 05					
VVV = ∇	MATERIALE: ALLUMINIO-INOX					
DESCRIZIONE: AQUAMOTOR SECTOR SW 170		PER LAVACASSONETTI 170°				
CODICE: SW170		SCALA: 1:1				




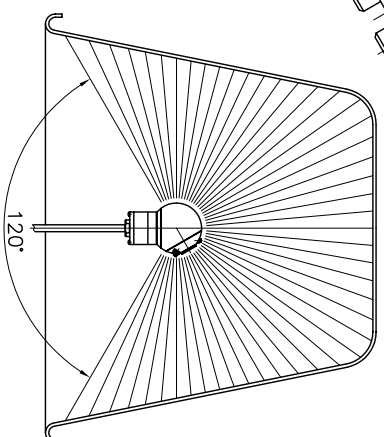
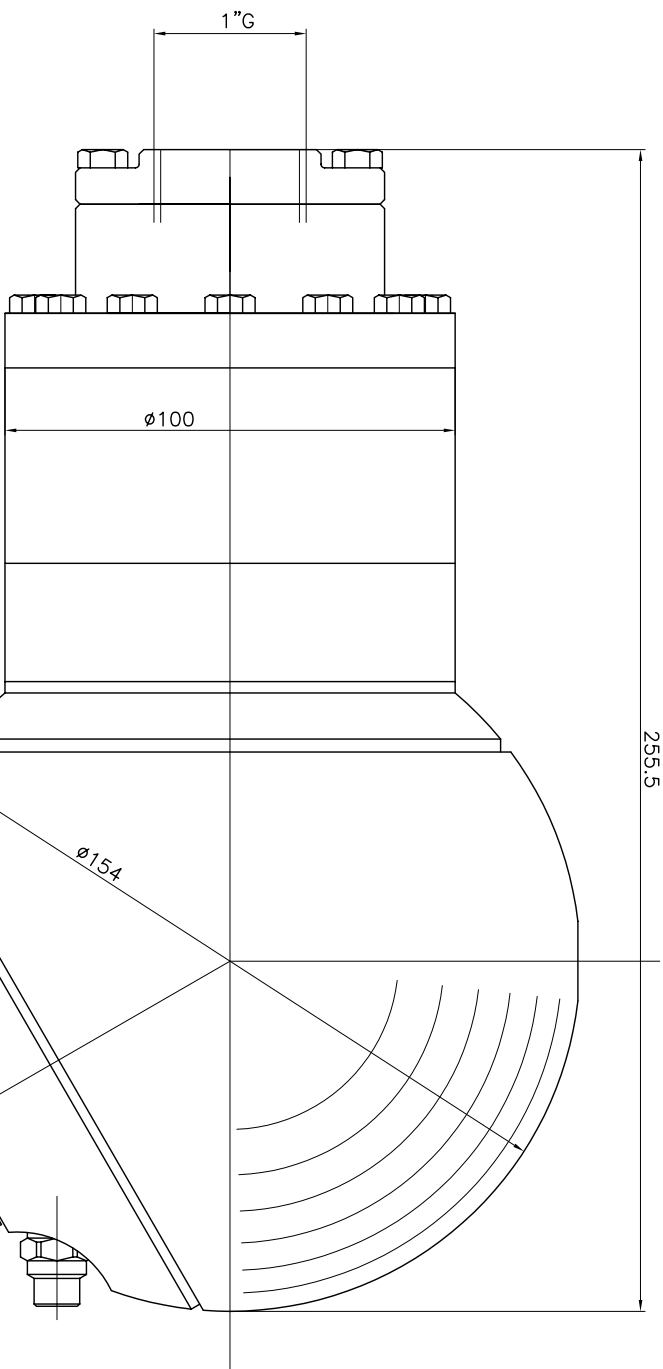
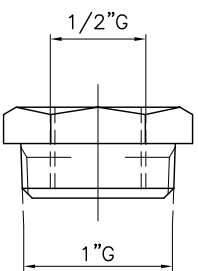
DISIGN.: CR | CONTR.: DM
 DATA: 26.11.07
 MOD. A4 O



DATI TECNICI (I)	
temperatura max	90°C
pressione max	200 bar
portata max	30-120 l/min
velocità di rotazione	120 g/min
tempo ciclo breve	15"
tempo ciclo completo	30"
diametro minimo foro	160 mm
entrata	1/2"G
ugelli	1/4"G
massa	7.5 Kg

TECHNICAL DATA (GB)	
temperature max	90°C
pressure max	200 bar
flow max	30-120 l/min
spinning speed	120 g/min
short washing cycle time	15"
complete washing cycle time	30"
min. pass-through hole dia.	160 mm
water inlet	1/2"G-BSP-M
nozzle size	1/4"G-BSP-M
weight	7.5 Kg

RUGOSITÀ (UNI 4600)	MODIFICA	1	2	3	4	5
GREZZO	FOGLIO	XXXX				
~ = √	DATA	XX.XX.XX				
SGROSS. 3/2	TOLLERANZE GENERALI classe m	UNI-EN 22768/1				
∇ = 3/2	0-6	6-30	30-120	120-400	400-1000	1000-2000
	±0.1	±0.2	±0.3	±0.5	±0.8	±1.2
	NOTE: VERSIONE 06					
FINITURA 1/g	MATERIALE:					
∇∇ = 1/g						
RETTIFICA 0/g	DESCRIZIONE: AQUAMOTOR SECTOR					
∇∇∇ = 0/g	PER LAVACASSONETTI 120°					
	codice: SW 120SF					
	scala: 1:1					
	A4					
	O					
	 CLEANING HEADS MONTECCHIO E. (RE) - ITALY DISEGN.: GR ICONTR.: DM DATA: 02.08.01 MOD.					



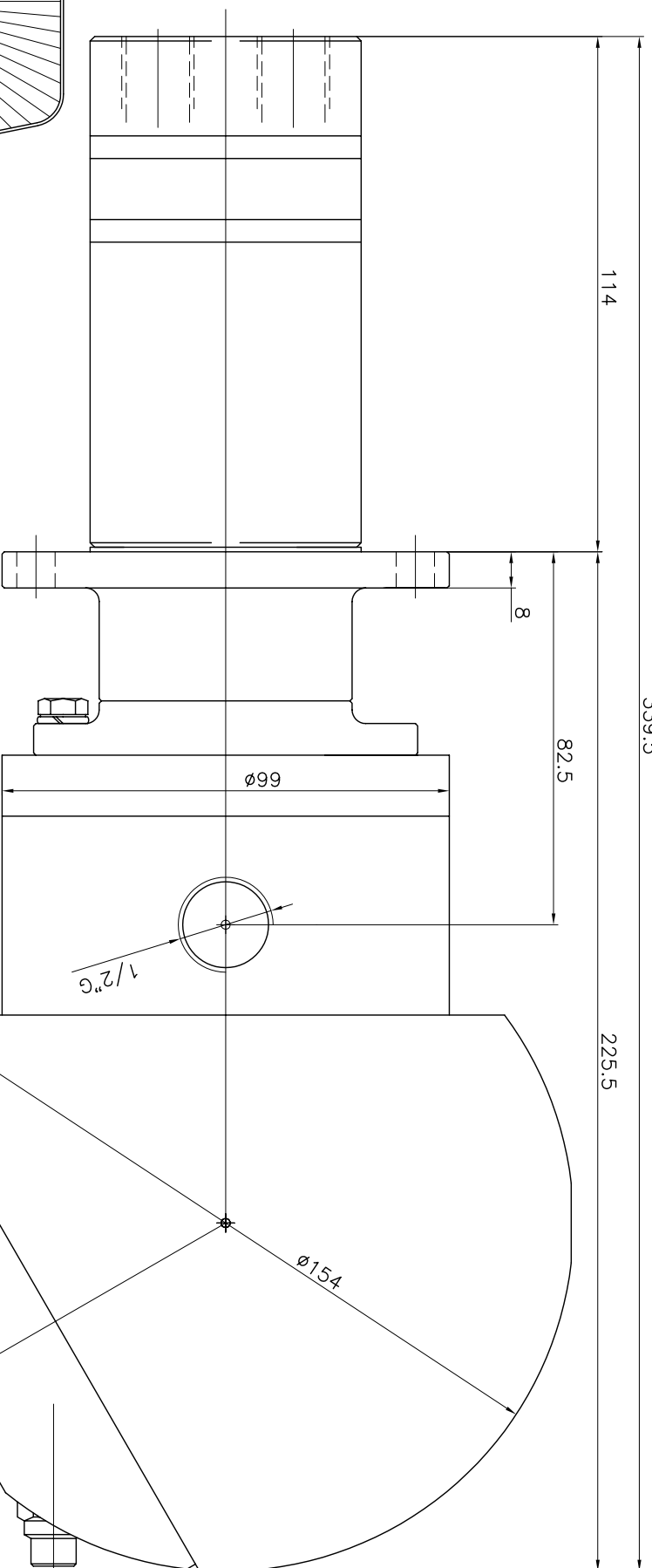
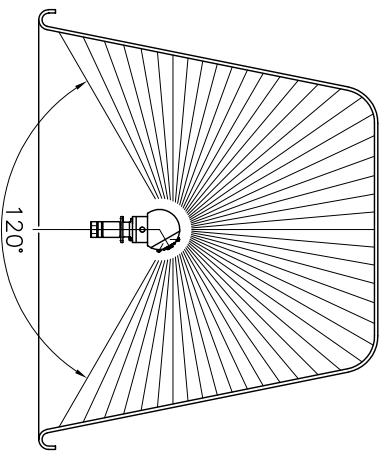
DATI TECNICI (I)	
temperatura max	90°C
pressione max	200 bar
portata max	30-120 l/min
velocità di rotazione	120 g/min
tempo ciclo breve	15"
tempo ciclo completo	30"
diametro minimo foro	160 mm
entrata ugelli	1/2"G 1/4"G
massa	7.5 Kg

TECHNICAL DATA (GB)	
temperature max	90°C
pressure max	200 bar
flow max	30-120 l/min
spinning speed	120 g/min
short washing cycle time	15"
complete washing cycle time	30"
min. pass-through hole dia.	160 mm
water inlet nozzle size	1/2"G-BSP-M 1/4"G-BSP-M
weight	7.5 Kg

RUGOSITÀ (UNI 4800)	MODIFICA	1	2	3	4	5
FOGLIO	xxxx					
DATA	xx.xx.xx					
GREZZO	TOLLERANZE GENERALI classe m UNI-EN 22768/1					
~ = ∅	0-6 ±0.1 6-30 ±0.2 30-120(120±400)400-1000(1000±2000)					
SORROSS. = √	±0.1 ±0.2 ±0.3 ±0.5 ±0.8 ±1.2					
V = √	NOTE: VERSIONE 06					
FINITURA = 1/8	MATERIALE:					
RETIFICA = 1/8						
VVV = 1/8						
VVV = 1/8						
DESCRIZIONE: AQUAMOTOR SECTOR PER LAVACASSONETTI 120°						
codice: SW 120CF						

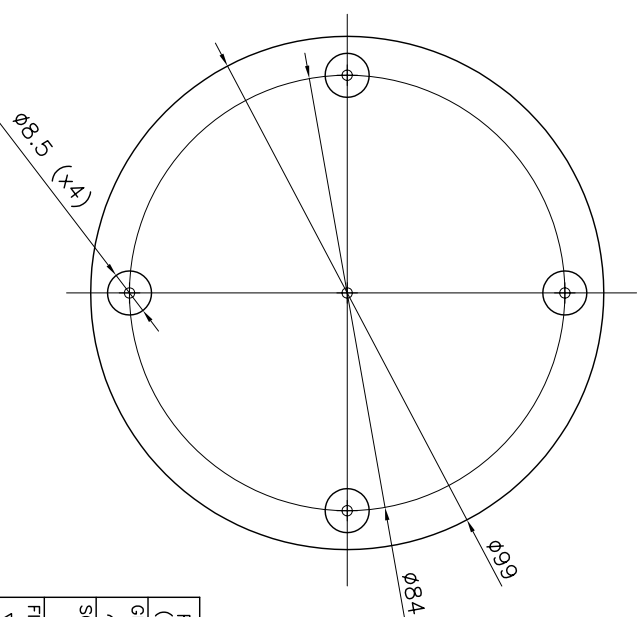


DESIGN.: CR1 CONTR.: DM
DATA: 02.08.01
MOD. scala 1:1 A4 O



CARATTERISTICHE TECNICHE

PORTATA MAX 120 L/MIN.
PRESSIONE MAX 200 BAR.
VELOCITA' DI ROTAZIONE 120 GIRI/MIN. (REGOLABILE)
AMPIEZZA SETTORE NON LAVATO 120°
MOTORE IDRAULICO 32 CC
PORTATA OLIO 3.8 L/MIN. (REGOLABILE)
PRESSIONE OLIO 20 BAR MAX.
PESO 8.0 KG.

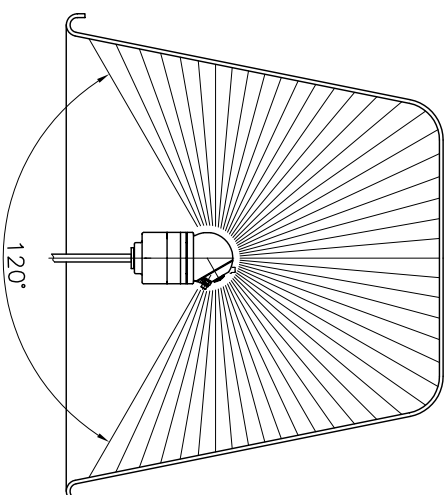
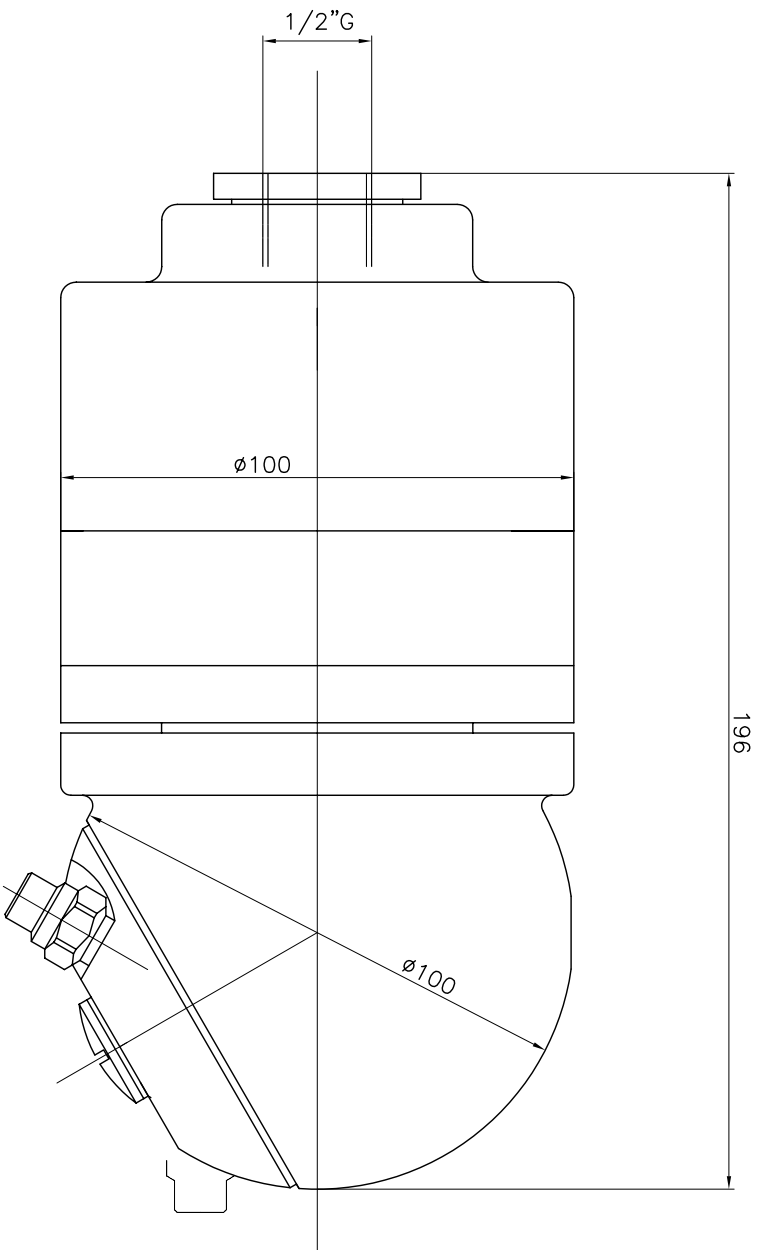


RUGOSITA' (UNI 4600)	MODIFICA	1	2	3	4	5
GREZZO	FOGLIO					
DATA	TOLLERANZE GENERALI classe m UNI-EN 22768/1					
0+6	6+30	30+120	120+400	400+1000	1000+2000	
±0.1	±0.2	±0.3	±0.5	±0.8	±1.2	
NOTE:						
FINITURA 1g/	MATERIALE:					
RETIFICA 0.8g/	DESCRIZIONE: COMPLESSIVO					
	CODICE:					
	SW120HY					



DISIGN.: GR ICONTR.: DM
 DATA: 23.03.04
 MOD.

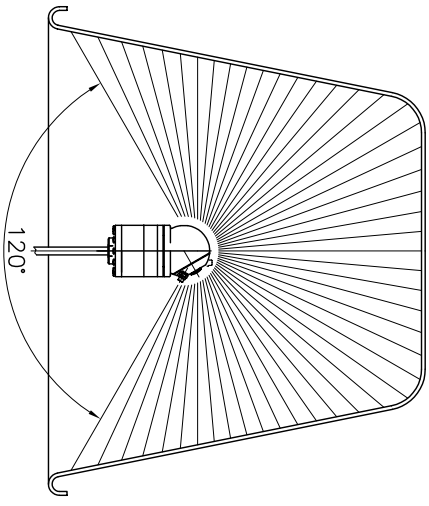
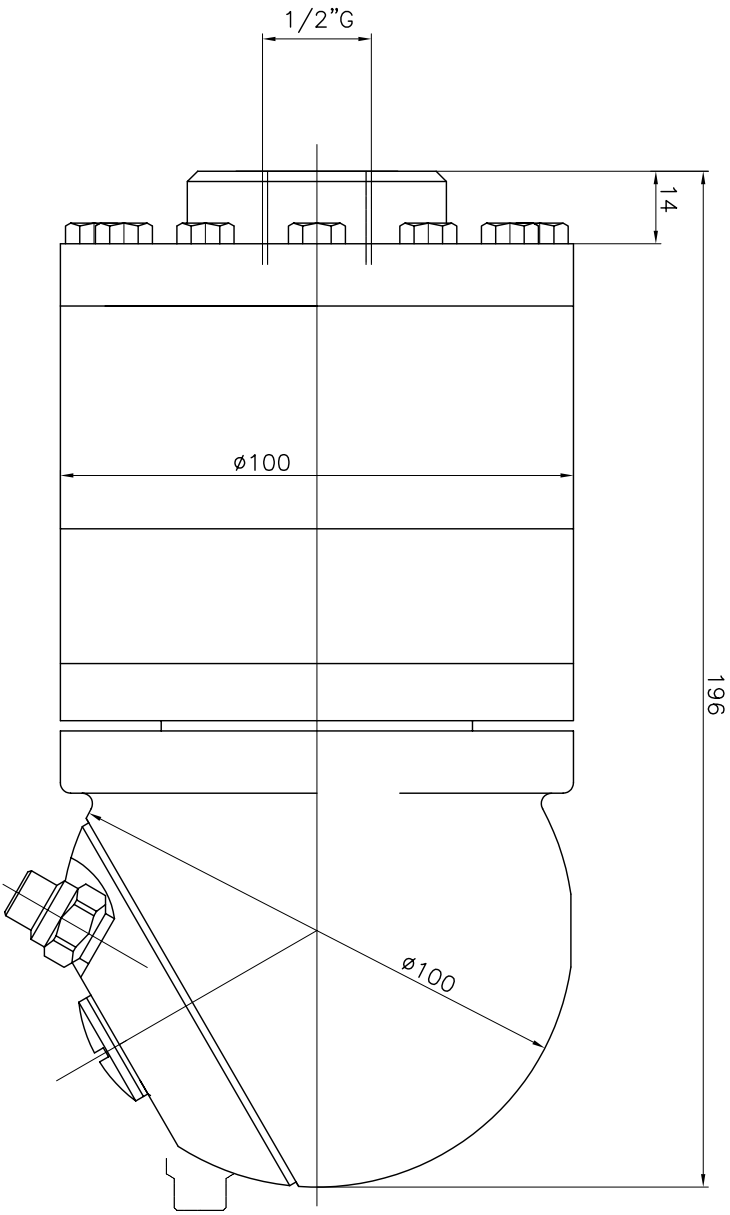
SCALA 1:1 A3 O



PRESSIONE MAX. MAX. PRESSURE	200 BAR			
UGELLI MOTORE MOTOR NOZZLES	6x \varnothing 2.1 MM	6x \varnothing 2.1 MM	6x \varnothing 2.4 MM	6x \varnothing 2.4 MM
PORTATA FLOW	30 L/MIN	45 L/MIN	30 L/MIN	45 L/MIN
VELOCITA' ROTAZIONE SPEED	102 GIRI/MIN RPM	152 GIRI/MIN RPM	84 GIRI/MIN RPM	131 GIRI/MIN RPM
PESO WEIGHT	2.6 KG			

RUGOSITA' (UNI 4600)	MODIFICA	1	2	3	4	5
GREZZO	FOGLIO	XXXX				
~ = \varnothing	DATA	XX.XX.XX				
SGROSS. $\frac{3}{2}$	TOLLERANZE GENERALI classe m	UNI-EN 22768/1				
∇ = $\frac{3}{2}$	0+6	6+30	30+120	120+400	400+1000	1000+2000
	\pm 0.1	\pm 0.2	\pm 0.3	\pm 0.5	\pm 0.8	\pm 1.2
	NOTE: VERSIONE 03					
FINITURA $\frac{1}{g}$	MATERIALE:	ALLUMINIO				
$\nabla \nabla$ = $\frac{1}{g}$	DESCRIZIONE: AQUAMOTOR SECTOR	INCLINATO PER LAVACASSONETTI 120° \varnothing 100				
RETTIFICA $\frac{0.8}{g}$						
$\nabla \nabla \nabla$ = $\frac{1}{g}$						
	codice:	SW	060	LC		
	scala:	1:1	A3	O		
	DISIGN.: GR TCONTR.: DM					
	DATE: 02.08.01					
	MOD.					

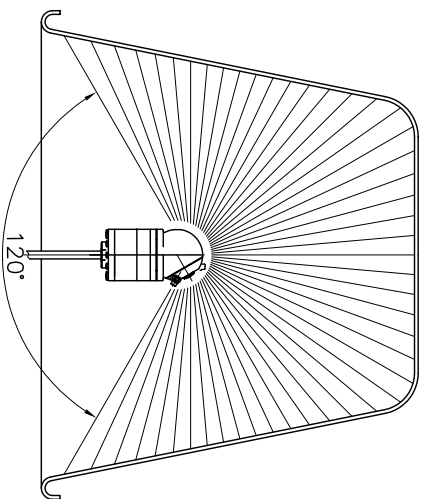
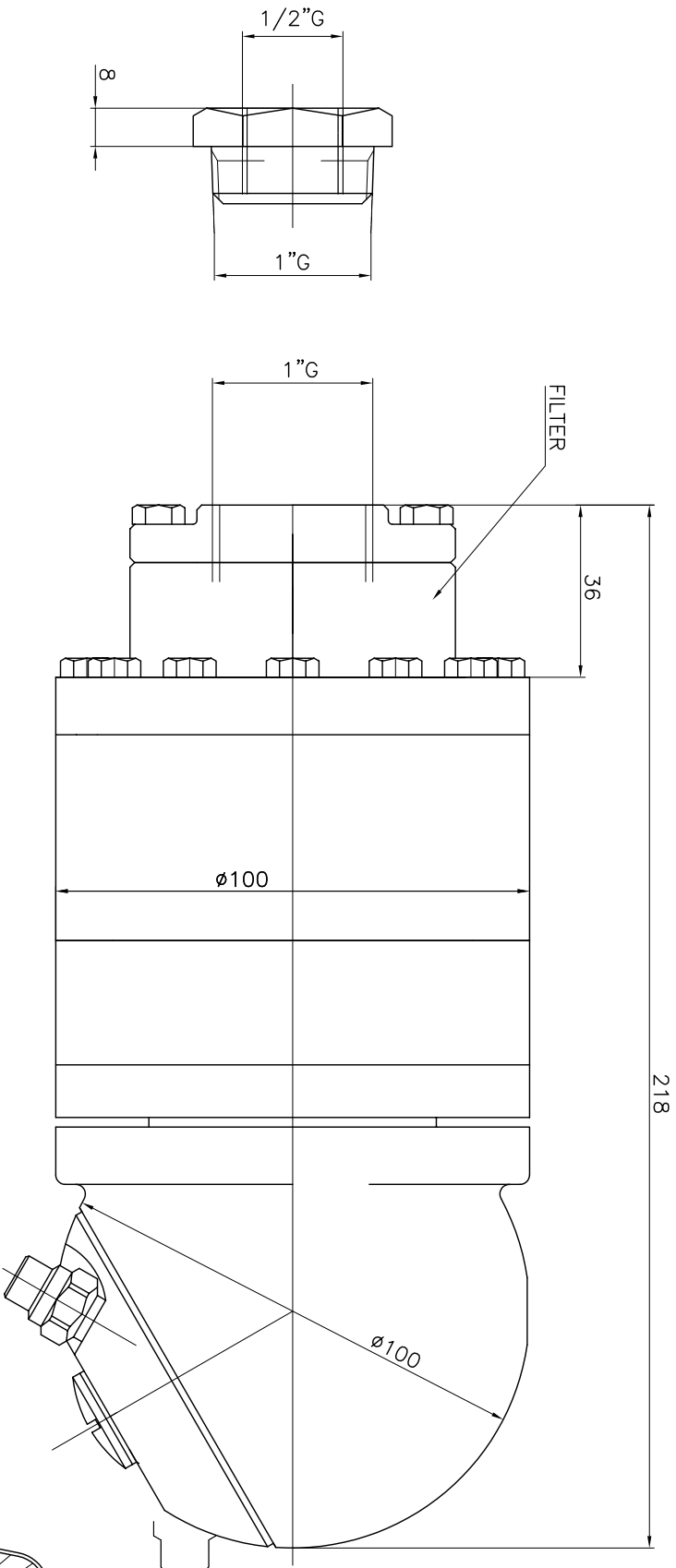
Bonomati
CLEANING HEADS
MONTECOCHIO E. (RE) - ITALY



DATI TECNICI	
temperatura max	90°C
pressione max	200 bar
portata	15-60 l/min
velocità di rotazione	120 g/min
tempo ciclo breve	15"
tempo ciclo completo	30"
diametro minimo foro	100 mm
entrata	1/2"G
ugelli	1/8"G
massa	5,5 Kg


TECHNICAL DATA	
temperature max	90°C
pressure max	200 bar
flow	15-60 l/min
spinning speed	120 g/min
short washing cycle time	15"
complete washing cycle time	30"
min. pass-through hole dia.	100 mm
water inlet	1/2"G-BSP-M
nozzle size	1/8"G-BSP-M
weight	5,5 Kg

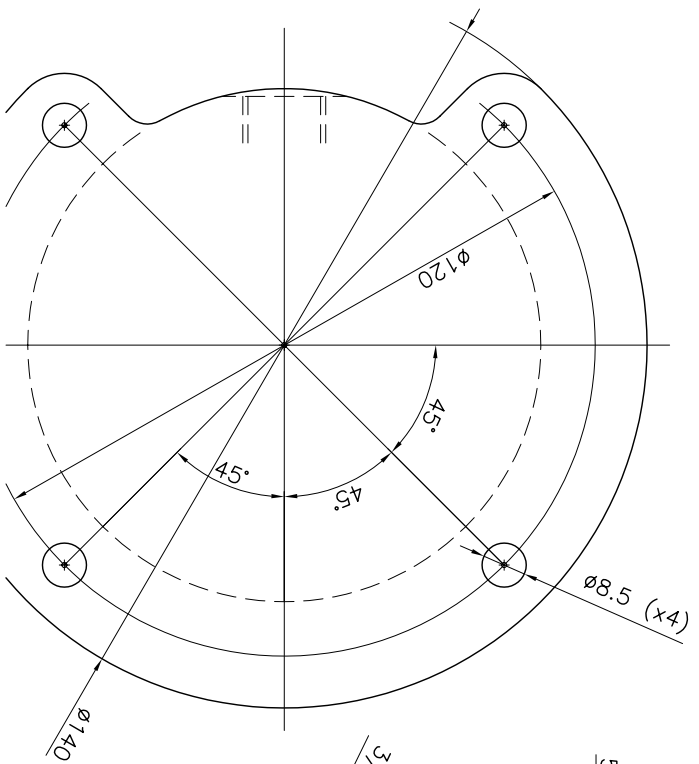
RUGOSITÀ (UNI 4600)	MODIFICA	1	2	3	4	5	 Bonomati CLEANING HEADS MONTECCHIO E. (RE) - ITALY DISEGN.: CR ICONTR.: DM DATA: 18.04.02 MOD.
GREZZO	FOGLIO	xxxx					
~ = √	DATA	xx.xx.xx					
SGROSS. 3,2/	TOLLERANZE GENERALI classe m UNI-EN 22768/1						
∇ = 3,2/	0-+6	6-+30	30-+120	120-+400	400-+1000	1000-+2000	
	±0.1	±0.2	±0.3	±0.5	±0.8	±1.2	
	NOTE: VERSIONE 06						
	MATERIALE: INOX + ALLUMINIO						
FINITURA 1,6/	DESCRIZIONE: AQUAMOTOR SECTOR						
∇∇ = ∇	VERSIONE PER CONTENITORI APERTI						
RETTIFICA	CONO CANO NON LAVATO						
	OPEN CONTAINERS VERSION						
∇∇∇ = ∇	NON WASHED HOLLOW CONE 120°						
	CODICE:	SW060A-SF					
	SCALA	1:1 A3 O					



DATI TECNICI	
temperatura max	90°C
pressione max	200 bar
portata	15-60 l/min
velocità di rotazione	120 g/min
tempo ciclo breve	15"
tempo ciclo completo	30"
diametro minimo foro	100 mm
entrata	1/2"G
ugelli	1/8"G
massa	5,5 Kg

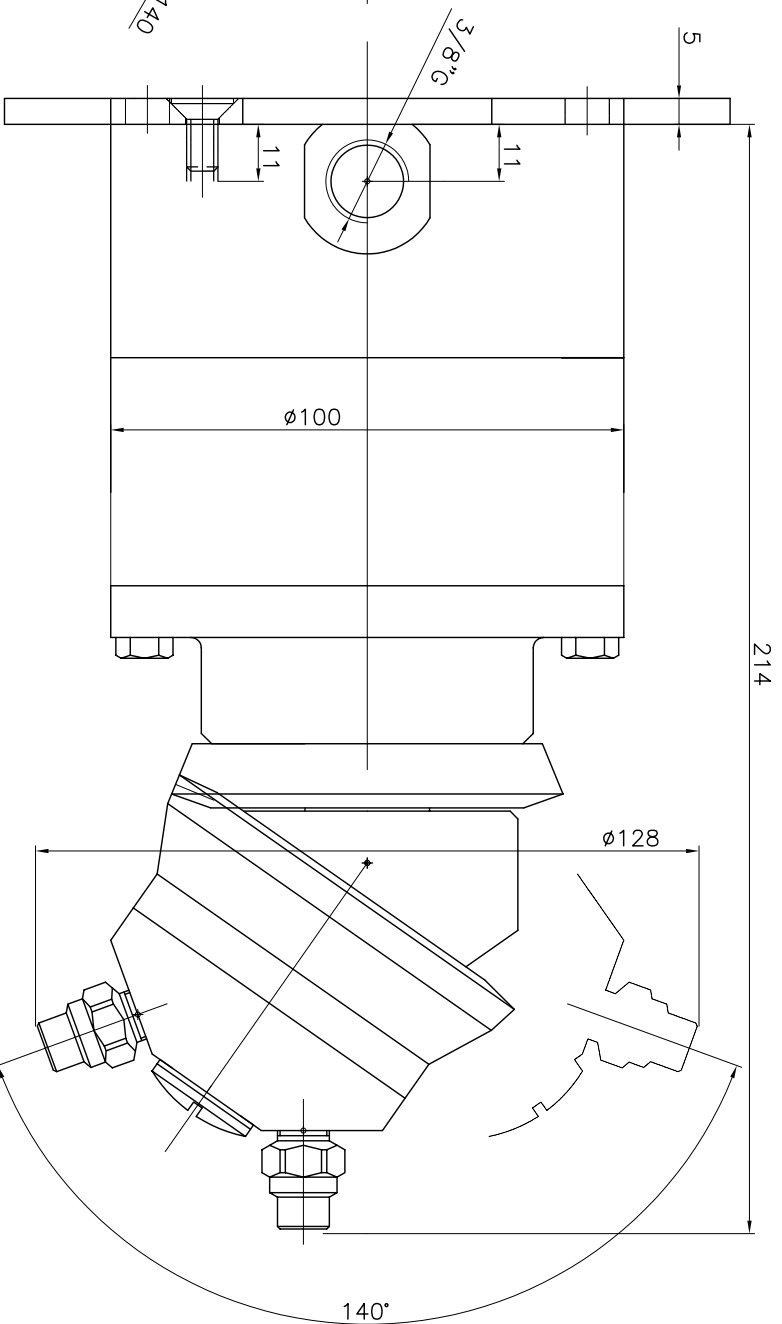
TECHNICAL DATA	
temperature max	90°C
pressure max	200 bar
flow	15-60 l/min
spinning speed	120 g/min
short washing cycle time	15"
complete washing cycle time	30"
min. pass-through hole dia.	100 mm
water inlet	1/2"G-BSP-M
nozzle size	1/8"G-BSP-M
weight	5,5 Kg

RUGOSITÀ (UNI 4600)	MODIFICA	1	2	3	4	5	 Bonomati CLEANING HEADS MONTECCHIO E. (RE) - ITALY DISSEGNI.: CR1CONTR.: DM DATA: 18.04.02 MOD.
GREZZO	FOGLIO DATA	XXXX					
~ = √	TOLLERANZE GENERALI classe m	UNI-EN 22768/1					
SGROSS. 3/2	0+6 ±0.1	6-30 ±0.2	30-120 ±0.3	120-400 ±0.5	400-1000 ±0.8	1000-2000 ±1.2	
∇ = 3/2	NOTE: VERSIONE 06						
FINITURA 1,6/	MATERIALE: INOX+ALLUMINIO						
∇∇ = 1/							
RETTIFICA 0,8/	DESCRIZIONE: AQUAMOTOR SECTOR						
∇∇∇ = 1/	OPEN CONTAINER VERSION						
	NON WASHED HOLLOW CONE 120°						
	CODICE: SW060A-CF						
	SCALA 1:1						
	A3						
	O						

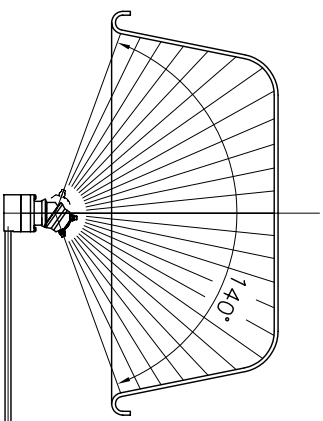


TECHNICAL DATA

O.RING	NBR - EPDM - VITON
SLIPPER	PTFE+CARBON FIBRE
BUSHING	AISI 316
FILTER	700 MICRON
NOZZLES POSITIONS	2 - 4
NOZZLES THREAD	1/8" NPT
TESTING NOZZLES	0 x 0000
OPERATING FLOW RANGE	15 - 60 L/min
TESTING FLOW	00 L/min
OPERATING PRESSURE RANGE	5 - 200 bar
TESTING PRESSURE	000 bar
CENTER LINE MIN PASS THROUGH HOLE	140 mm
MANUAL MIN PASS THROUGH HOLE	140 mm
MAX OPERATING TEMPERATURE	90 °C
MATERIAL	INOX AISI 316
CONICAL GEARS	FIXED Z=37 ROTATING Z=39
MODULE	2
DIFFUSER SPEED SETTING POSITIONS	4
TESTING DIFFUSER POSITION	X
ROTATION SPEED	SEE CHART
FULL CYCLE	39 ROTATIONS
FULL CYCLE TIME	26 sec. AT 90 RPM
WEIGHT	9.6 KG



FLOW L/MIN	DIFFUSER POSITION			
	1	2	3	4
15	78	36		
30		90	42	
45			72	42
60			96	60
			SPINNING SPEED	RPM



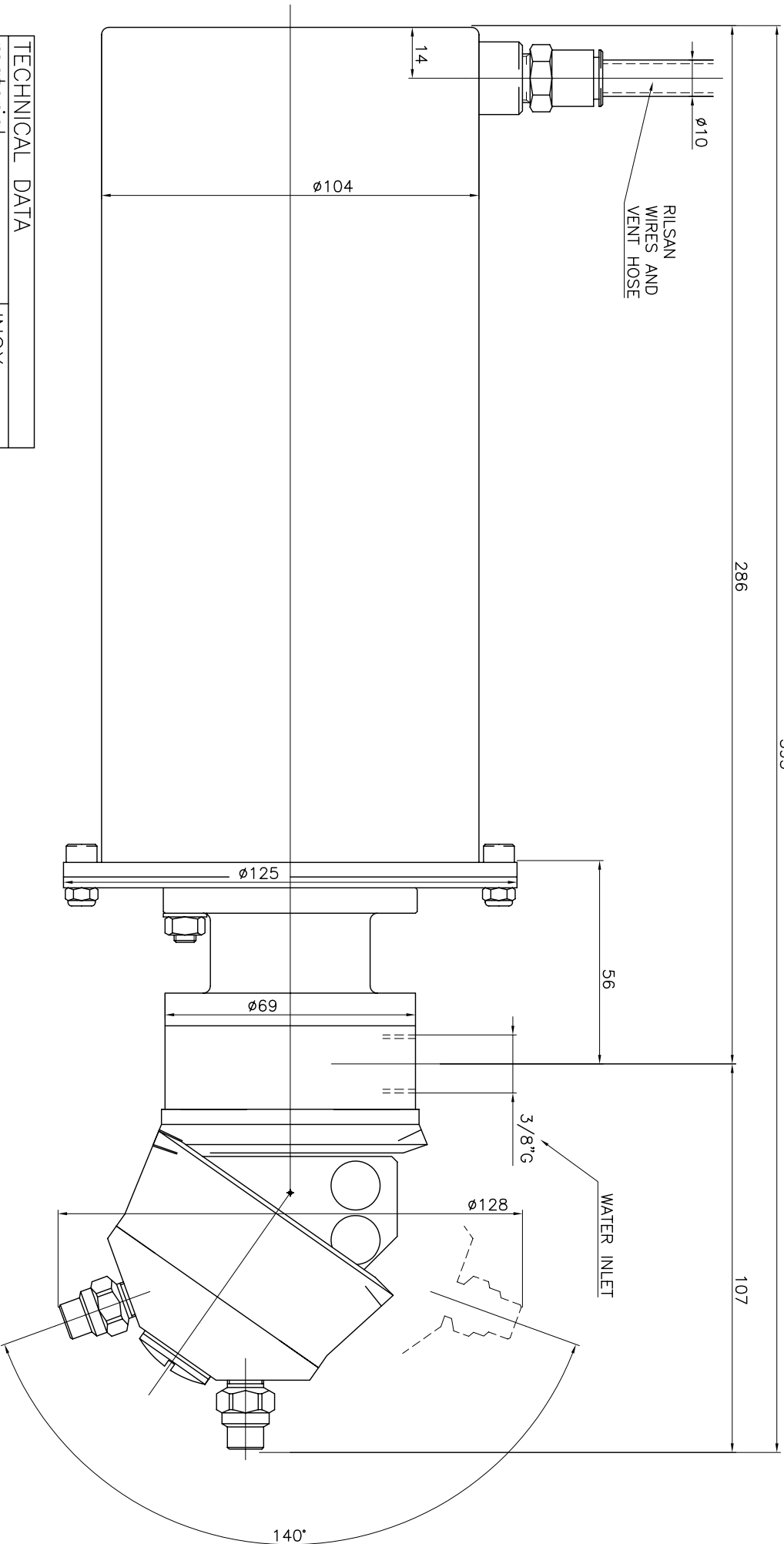
RUGOSITA' (UNI 4600)	MODIFICA	1	2	3	4	5
FOGLIO	XXXX					
GREZZO	DATA	XX	XX	XX	XX	XX
~ = ∅	TOLLERANZE GENERALI classe m UNI-EN 22768/1					
SGROSS. 3.2/	0-6 ±0.1	6-30 ±0.2	30-120 ±0.3	120-400 ±0.5	400-1000 ±0.8	1000-2000 ±1.2
∇ = 3.2/	NOTE:					
FINITURA 1.6/	MATERIALE: AISI 304					
∇∇ = 1.6/						
RETTIFICA 0.8/	DESCRIZIONE: SW060 WKL 01 SIDE INLET					
∇∇∇ = 0.8/	FRONTAL PATTERN 140°					
	codice: SW 060WKL 01					

file: SW 060WKL 01 cm

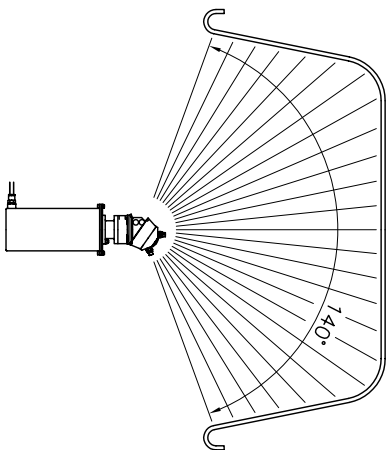


DISIGN.: GR ICONTR.: DM
DATA: 20.02.09
MOD.

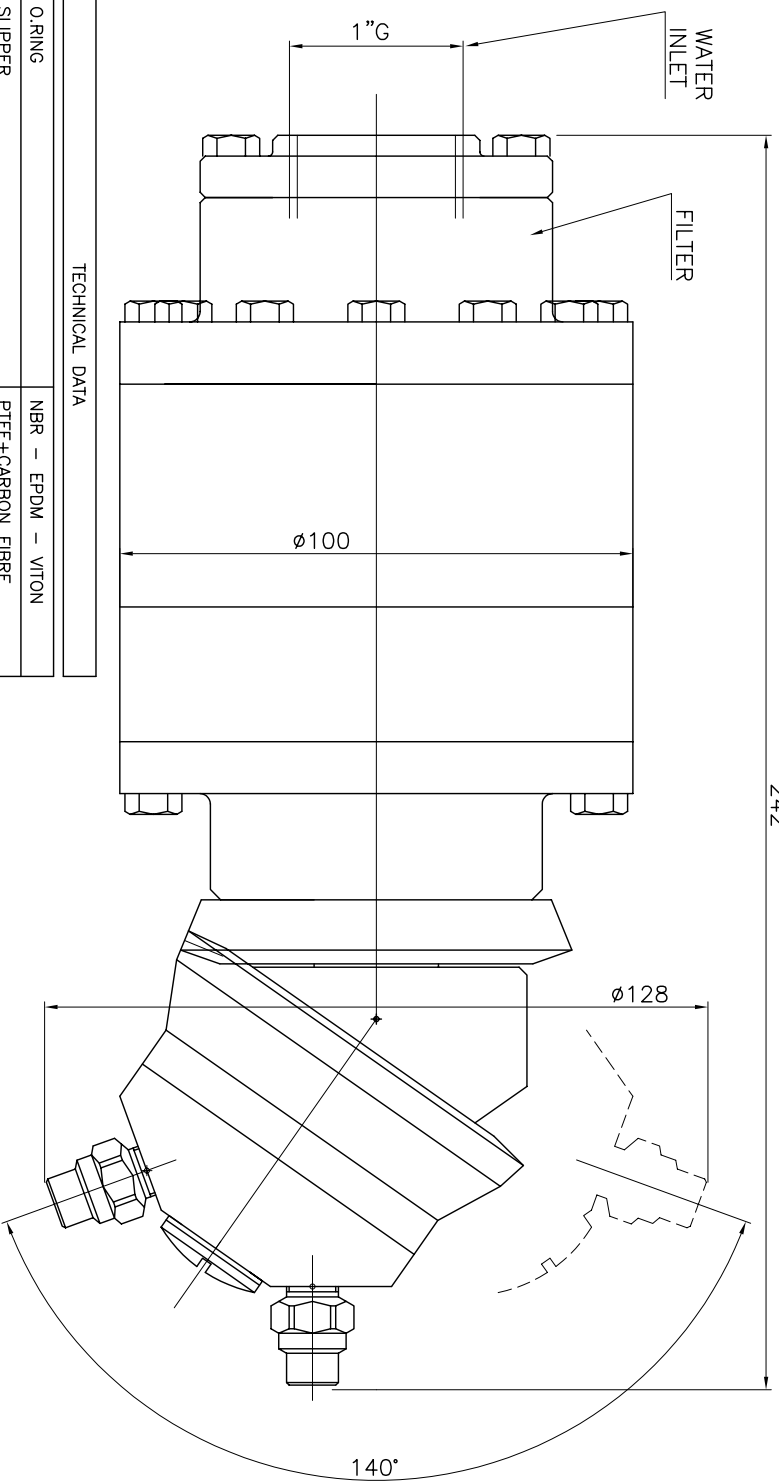
scala 1:1 A3 O



TECHNICAL DATA	
material	INOX
max temperature	90°C
max pressure	150 bar
max flow	60 l/min
spinning speed	100 rpm
electric motor volts	24V DC
electric motor amps	3A
electric motor power	90 W
protection level	IP67
water inlet	3/8" G
nozzle thread	1/8" NPT
weight	2.0 Kg



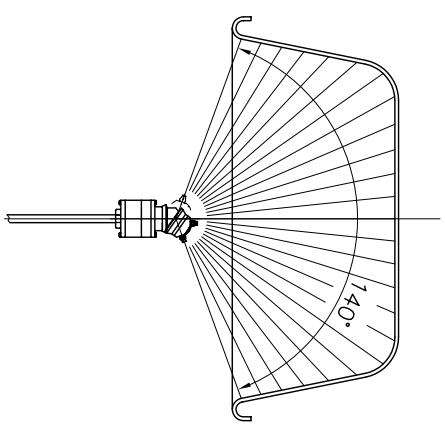
RUGOSITA' (UNI 4600)	MODIFICA	1	2	3	4	5
FOGLIO	FOGLIO	XXXX				
GREZZO	DATA	XX.XX.XX				
~ = √	TOLLERANZE GENERALI classe m UNI-EN 22768/1					
0+6	±0.1	±0.2	±0.3	±0.5	±0.8	±1.2
SGROSS. 3/2	NOTE:					
∇ = 3/2						
FINITURA 1/g	MATERIALE:					
∇∇ = 1/g						
RETTIFICA 0,9g	DESCRIZIONE: APPLICATION DRAWING					
∇∇∇ = 0,9g	FEISTMANTL VERSION					
codice:		SW		060WKE		
scala		1:1		A3		0
DISEGNI: CR		CONTR.: DM		MONTECCHIO E. (RE) - ITALY		
DATA: 14.11.08		MOD.				



TECHNICAL DATA

O.RING	NBR - EPDM - VITON
SLIPPER	PTFE+CARBON FIBRE
BUSHING	AISI 316
FILTER	700 MICRON
NOZZLES POSITIONS	2 - 4
NOZZLES THREAD	1/8" NPT
TESTING NOZZLES	0 x 0000
OPERATING FLOW RANGE	15 - 60 L/min
TESTING FLOW	00 L/min
OPERATING PRESSURE RANGE	5 - 200 bar
TESTING PRESSURE	000 bar
CENTER LINE MIN PASS THROUGH HOLE	128 mm
MANUAL MIN PASS THROUGH HOLE	100 mm
MAX OPERATING TEMPERATURE	90 °C
MATERIAL	INOX AISI 316
CONICAL GEARS	FIXED Z=37 ROTATING Z=39
MODULE	2
DIFFUSER SPEED SETTING POSITIONS	4
TESTING DIFFUSER POSITION	X
ROTATION SPEED	SEE CHART
FULL CYCLE	39 ROTATIONS
FULL CYCLE TIME	26 sec. AT 90 RPM
WEIGHT	9.6 KG

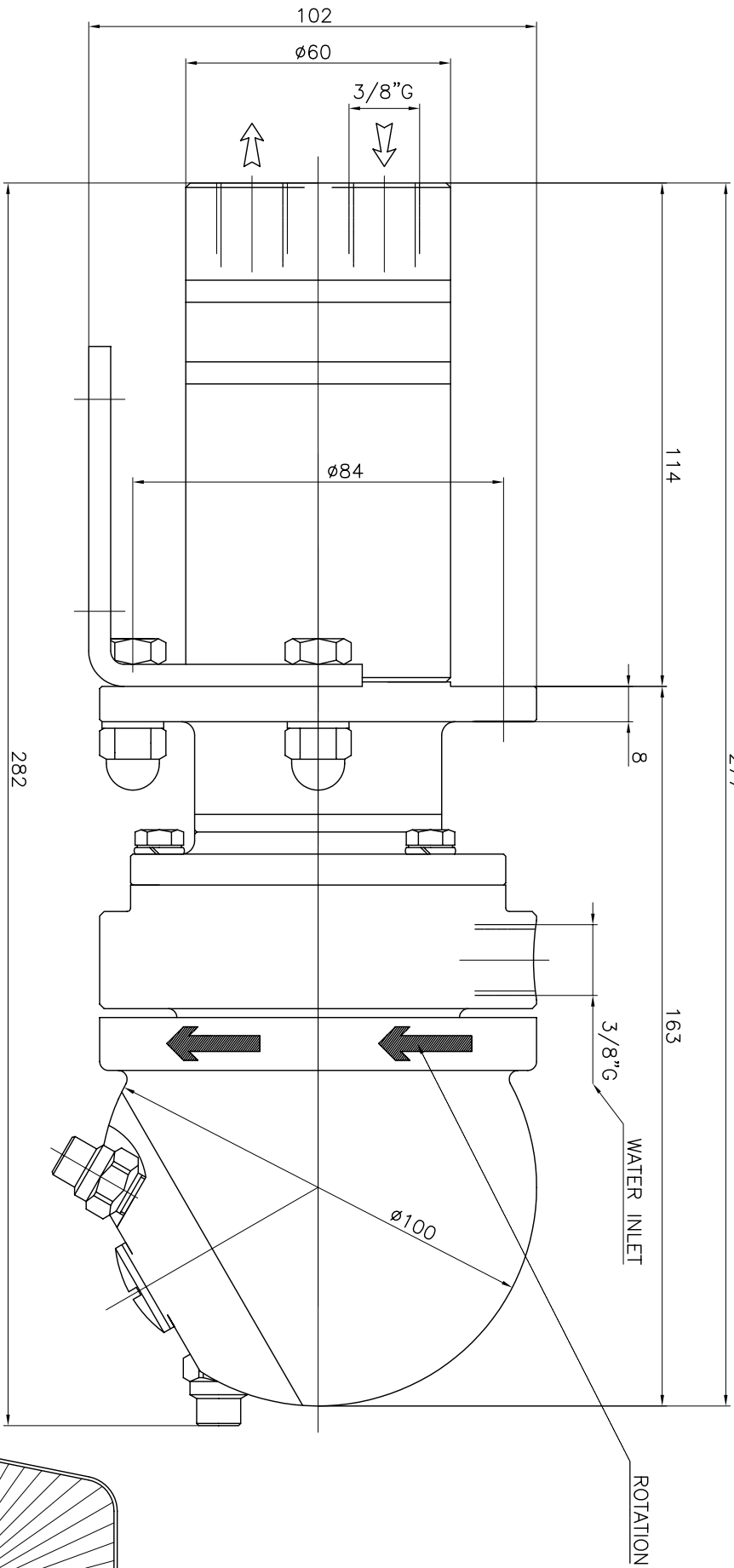
FLOW L/MIN		DIFFUSER POSITION			
		1	2	3	4
	15	78	36		
	30		90	42	
	45			72	42
	60			96	60
		SPINNING SPEED RPM			



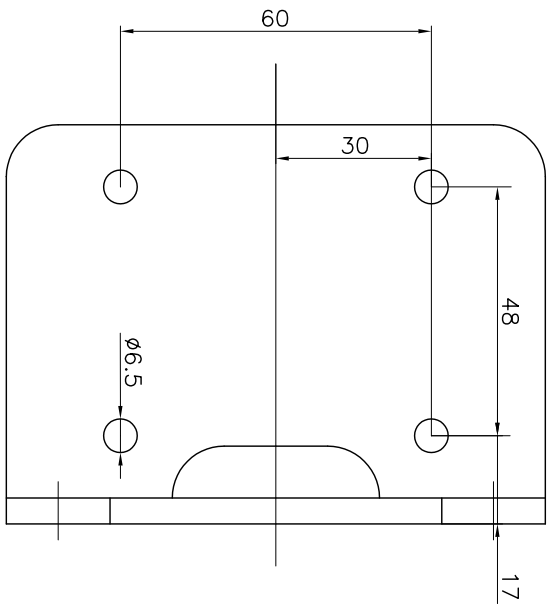
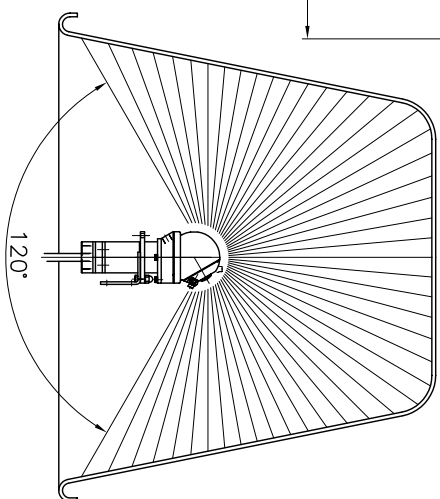
file: SW 060WKC 01 cm1

RUGOSITA' (UNI 4600)	MODIFICA	1	2	3	4	5
FOGLIO	FOGLIO	XXXX				
GREZZO	DATA	XX.XX.XX				
~ = ∅	TOLLERANZE GENERALI classe m UNI-EN 22768/1					
0+6	6+30 30+120 120+400 400+1000 1000+2000					
SGROSS. 3/2	±0.1 ±0.2 ±0.3 ±0.5 ±0.8 ±1.2					
∇ = 3/2	NOTE:					
FINITURA 1/g	MATERIALE: AISI 304					
∇∇ = 1/g						
RETTIFICA 0/g						
∇∇∇ = ∇						
DESCRIZIONE: SW060 WKC 01 cm1 WITH FILTER						
FRONTAL PATTERN 140°						
CODICE: SW 060WKC 01		SCALA 1:1 A3 O				
DISIGN.: GR ICONTR.: DM						
MONTICOCHIO E. (RE) - ITALY						
DATA: 16.02.09 MOD.						

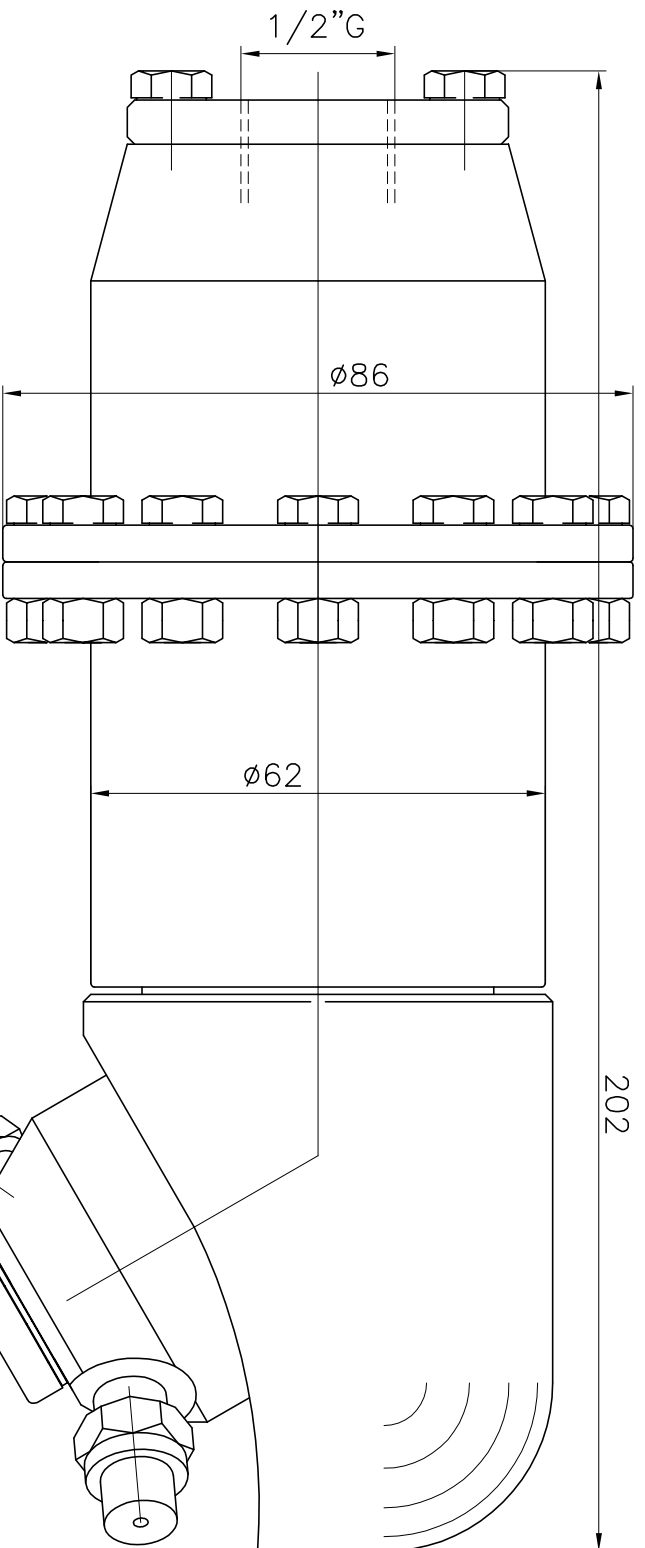




TECHNICAL DATA	
MAX FLOW:	60 L/MIN.
MAX PRESSURE:	200 BAR.
SPINNING SPEED:	120 RPM (ADJUSTABLE)
HYDRAULIC MOTOR:	32 CC
OIL FLOW:	3.8 L/MIN. (ADJUSTABLE)
OIL PRESSURE:	20 BAR MAX.
WEIGHT:	5.0 KG.



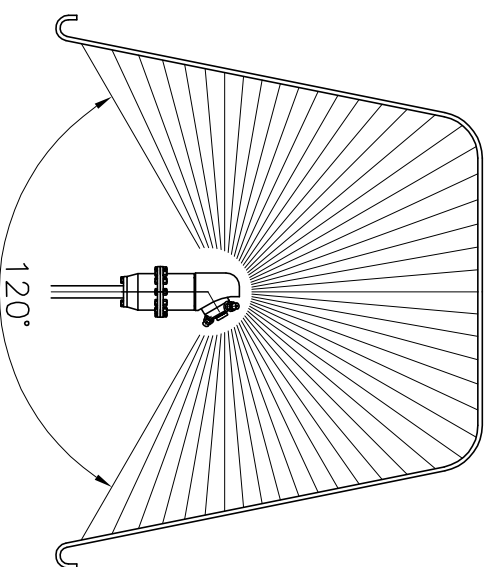
RUGOSITA' (UNI 4600)	MODIFICA	1	2	3	4	5
FOGLIO	XXXX					
GREZZO	DATA	XX XX XX				
~ = √	TOLLERANZE GENERALI classe m UNI-EN 22768/1					
SGROSS. 3/2	±0.1	±0.2	±0.3	±0.5	±0.8	±1.2
∇ = 3/2	NOTE:					
FINITURA 1/g	MATERIALE: ALUMINIUM					
∇∇ = 1/g	DESCRIZIONE: OPEN CONTAINER VERSION NON					
RETTIFICA 0/g	WASHED HOLLOW CONE 120°					
∇∇∇ = 0/g	CODICE: SW 060 HY					
	SCALA		1:1		A3 O	
	DISIGN.: CR ICONTR.: DM					
	DATA: 20.11.01 MOD.					
	MONTICCHIO E. (RE) - ITALY					
	Bonomati CLEANING HEADS					

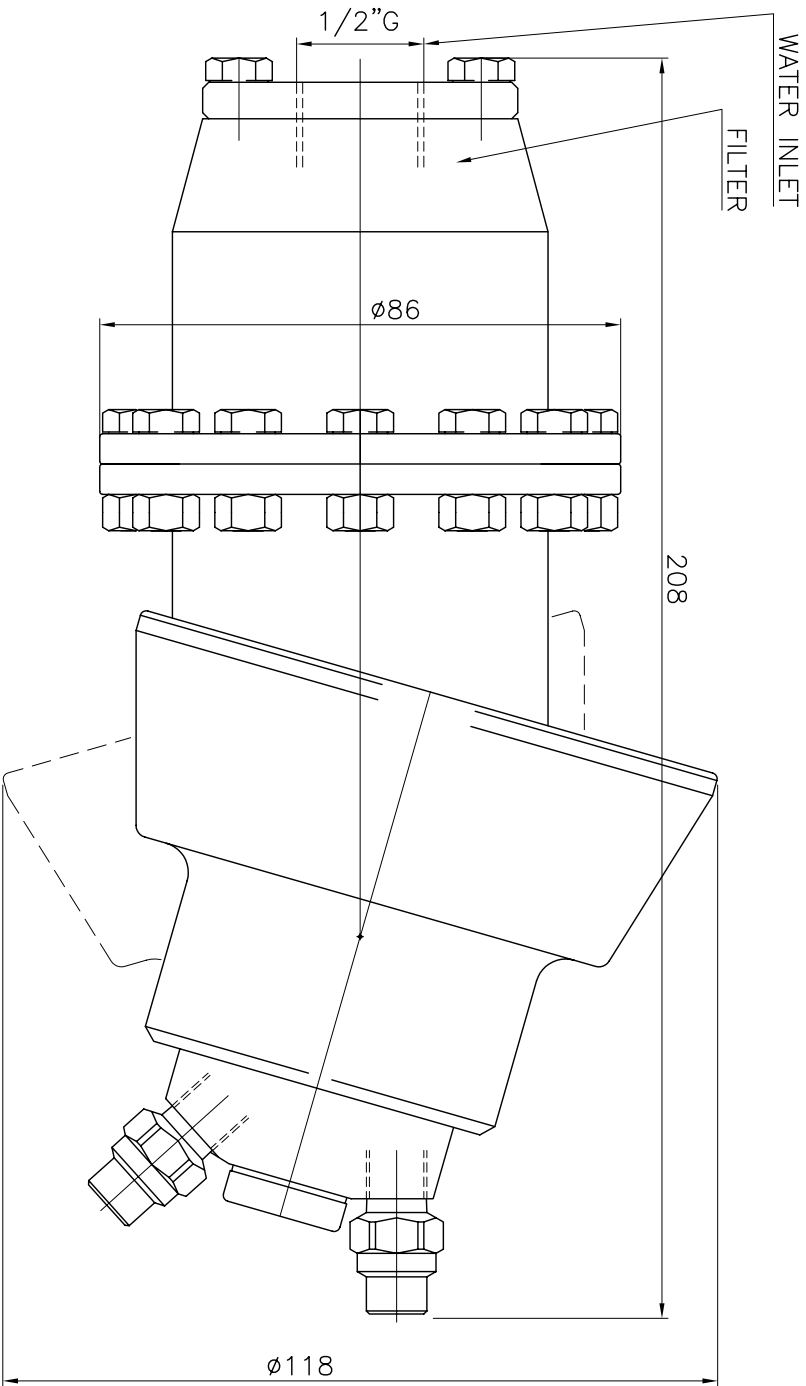


DATI TECNICI (I)	
temperatura max	90°C
pressione max	150 bar
portata	15-60 l/min
velocità di rotazione	100 g/min
tempo ciclo	14 sec
diametro minimo foro	88 mm
entrata	1/2"G
filtro	700 micron
ugelli	1/8"NPT
numero ugelli	2 - 4
peso	3.5 Kg

TECHNICAL DATA (GB)	
temperature max	90°C
pressure max	150 bar
flow	15-60 l/min
spinning speed	100 rpm
washing cycle time	14 sec
min. pass-through hole dia.	88 mm
water inlet	1/2"G
filter	700 micron
nozzle size	1/8"NPT
nozzles positions	2 - 4
weight	3.5 Kg

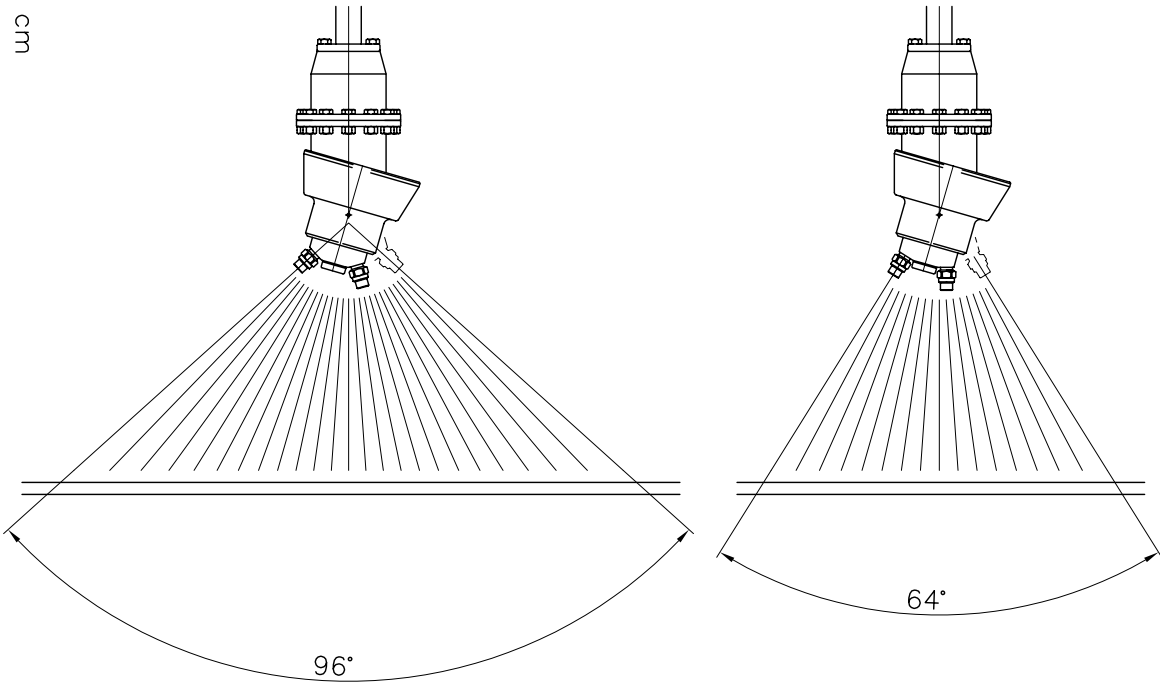
RUGOSITA' (UNI 4600)	MODIFICA	1	2	3	4	5		
GREZZO	FOGLIO	XXXX						
SGROSS. 3.2/	DATA	XX.XX.XX					CODICE: SW 049AA 05	
FINITURA 1.6/	TOLLERANZE GENERALI	classe m	UNI-EN 22768/1					
RETTIFICA 0.8/	NOTE:	vers.05						
	MATERIALE:	INOX + AL						
	DESCRIZIONE:	AQUAMOTOR SECTOR 120°						
	INSTALLATION DRAWING							
	DATA:	14.03.12						
	SCALE	1:1						
	MOD.	A4						
		O						






- 2 1/8"NPT NOZZLES POSITIONS ON 64° CONE
- 2 1/8"NPT NOZZLES POSITIONS ON 96° CONE

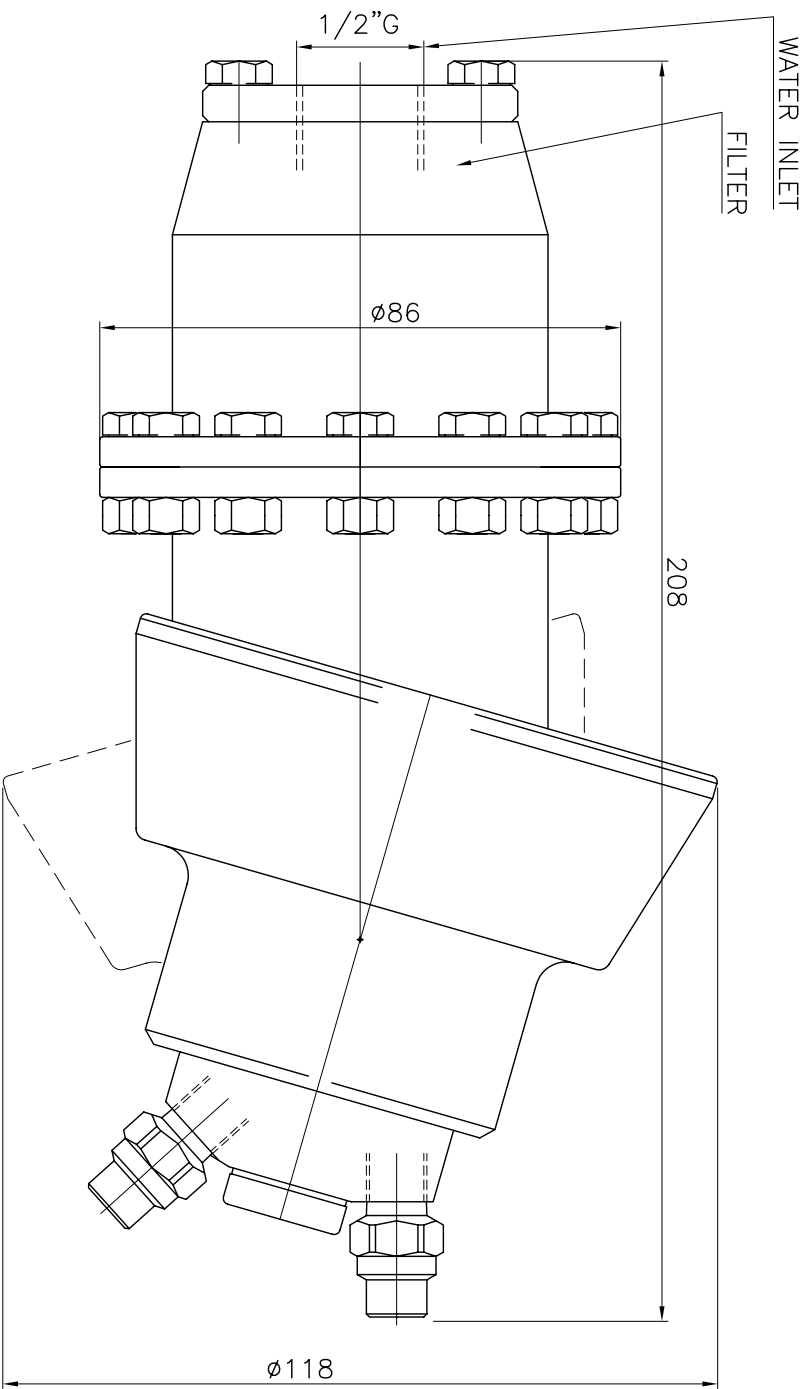
PLUG NOZZLES POSITIONS NOT USED



file: SW 048 SP cm

TECHNICAL DATA	
temperature max	90°C
pressure max	150 bar
flow	15-60 l/min
spinning speed	80 rpm
water inlet	1/2"G
filter	700 micron
nozzle thread	1/8"NPT
nozzles positions	2 on 64° cone - 2 on 96° cone
weight	3.0 Kg

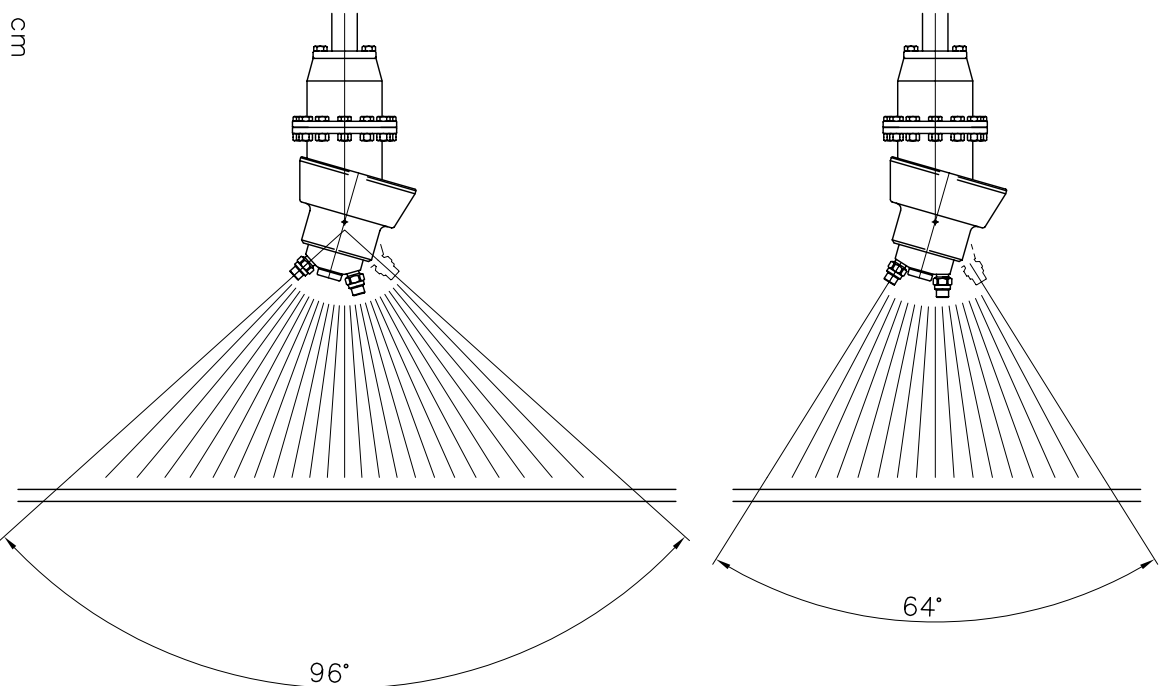
RUGOSITA' (UNI 4600)	MODIFICA	1	2	3	4	5	 CLEANING HEADS MONTECHIO E. (RE) - ITALY
GREZZO	FOGLIO	XXXX					
SGROSS: 3.2/	DATA	XX.XX.XX					
FINITURA	TOLLERANZE GENERALI classe m UNI-EN 22768/1						
RETTIFICA	0-6 6-30 30-120 120-400 400-1000 1000-2000						
▽ = ∇	± 0.1 ± 0.2 ± 0.3 ± 0.5 ± 0.8 ± 1.2						
NOTE:							
MATERIALE: INOX	DISEGN.: CR CONTR.: DM						
DESCRIZIONE: ORBITAL SURFACE WASHING	DATA: 17.02.09						
INSTALLATION DRAWING	SCALA						
	1:1						
	A4						
	O						
	CODICE: SW 048 SP						




- 2 1/8"NPT NOZZLES POSITIONS ON 64° CONE
- 2 1/8"NPT NOZZLES POSITIONS ON 96° CONE

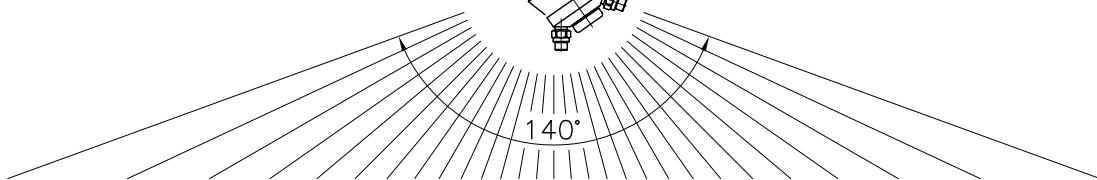
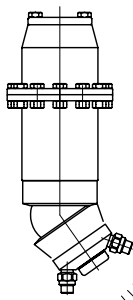
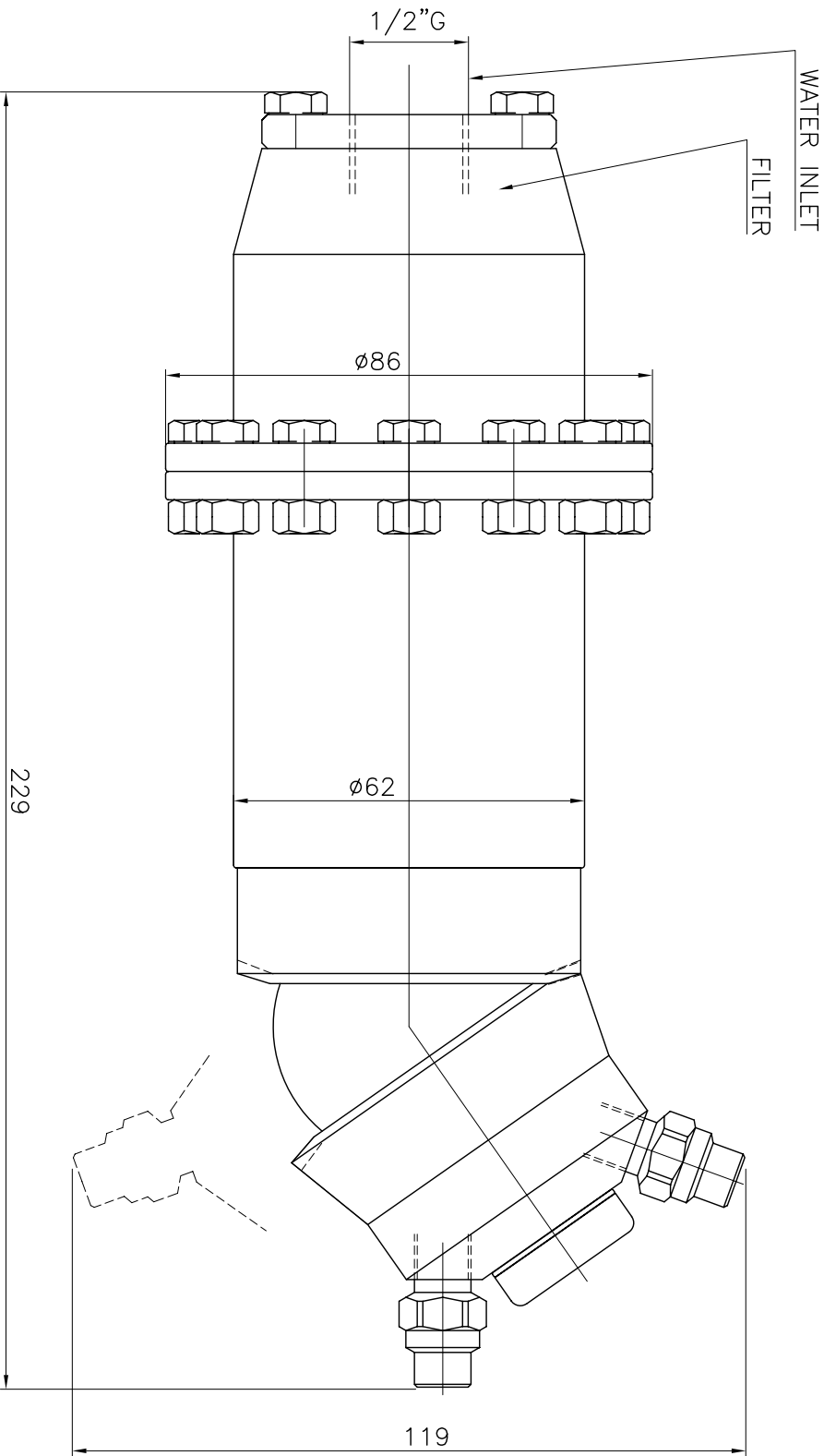
PLUG NOZZLES POSITIONS NOT USED

file: SW 048 SL cm



TECHNICAL DATA	
temperature max	90°C
pressure max	150 bar
flow	15-60 l/min
spinning speed	25 rpm
water inlet	1/2"G
filter	700 micron
nozzle thread	1/8"NPT
nozzles positions	2 on 64° cone - 2 on 96° cone
weight	3.0 Kg

RUGOSITA' (UNI 4600)	MODIFICA	1	2	3	4	5	 CLEANING HEADS MONTECHIO E. (RE) - ITALY
GREZZO	FOGLIO	XXXX					
SGROSS: 3.2/	DATA	XX.XX.XX					
FINITURA	TOLLERANZE GENERALI classe m UNI-EN 22768/1						
RETTIFICA	0-6 6-30 30-120 120-400 400-1000 1000-2000						
▽ = 0.8/	±0.1 ±0.2 ±0.3 ±0.5 ±0.8 ±1.2						
▽▽ = 1.6/	NOTE:						DISEGN.: CR CONTR.: DM
▽▽▽ = 3.2/	MATERIALE: INOX						DATA: 17.02.09
	DESCRIZIONE: ORBITAL SURFACE WASHING						SCALA
	INSTALLATION DRAWING						1:1
	CODICE:						A4
	SW 048 SL						O
							MOD.



file: SW 186 WKC cm1

TECHNICAL DATA	
temperature max	90°C
pressure max	150 bar
flow	15-60 l/min
spinning speed	80 rpm
washing cycle time	45 sec.
min. pass-through hole dia.	120 mm
water inlet	1/2" G
inlet filter	700 micron
nozzle size	1/8" NPT
nozzles positions	2 - 4
weight	3.2 Kg

RUGOSITA' (UNI 4600)	MODIFICA	1	2	3	4	5
GREZZO	FOGLIO	XXXX				
~ = ∅	DATA	XX.XX.XX				
SGROSS: 3.2/	TOLLERANZE GENERALI classe m UNI-EN 22768/1					
∇ = ∇	0-6 ±0.1 6-30 ±0.2 30-120 ±0.3 120-400 ±0.5 400-1000 ±0.8 1000-2000 ±1.2					
FINITURA 1.6/	NOTE: ex RW186 WKC 16.02.09					
RETTIFICA 0.8/	MATERIALE: INOX					
VVV = ∇	DESCRIZIONE: SW 186 WKC					
VVV = ∇	INSTALLATION DRAWING					
CODICE: SW 186 WKC		SCALE: 1:1		A4		O
		DISEGN.: CR		CONTR.: DM		
		DATA: 11.12.09				
		MOD.				



SERIE XB

XB SERIES

TESTINE AUTOROTANTI O MOTORIZZATE PER LAVAGGIO VOLUMETRICO
SELFSPINNING OR MOTOR DRIVEN HEADS FOR VOLUMETRIC CLEANING

TESTINE DI LAVAGGIO VOLUMETRICHE

Disponibili con motore ad acqua, elettrico o pneumatico, per foro accesso minimo di 40mm

VOLUMETRIC CLEANING HEADS

Available with water motor, electric or pneumatic, for min pass through hole of 40mm

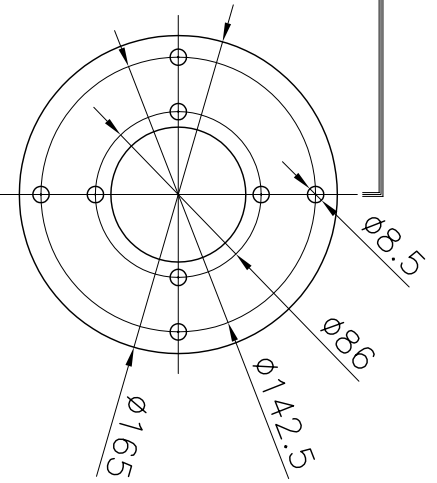
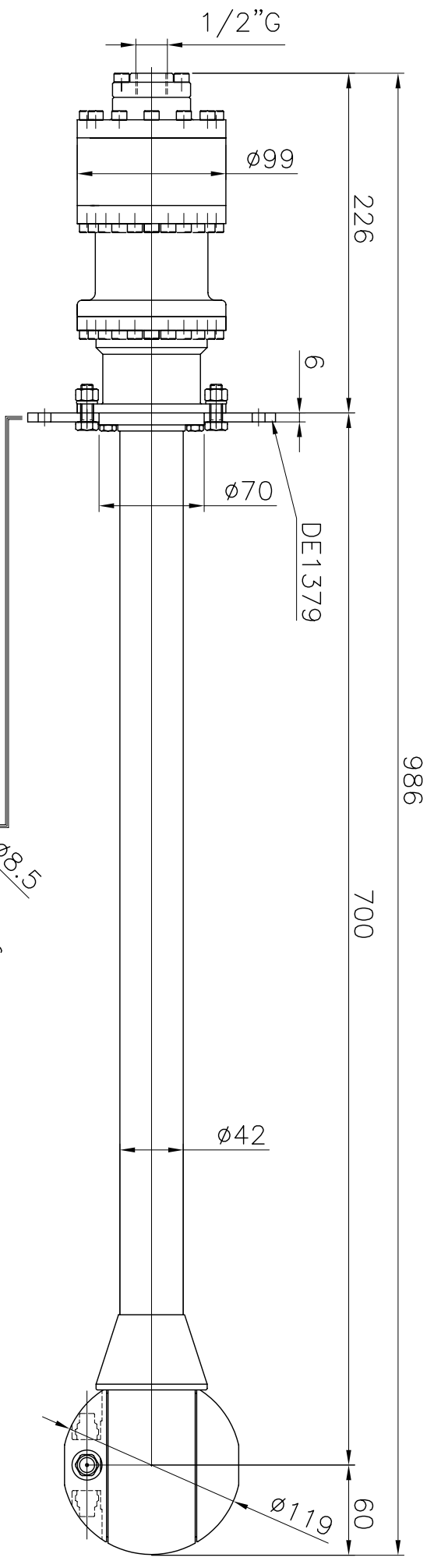


La parte terminale della testina anziché essere con ugelli sporgenti è realizzata con una sfera per facilitare l'introduzione automatica in fori molto piccoli. Disponibili in diverse lunghezze fino ad un max. di 6mt

The end part of the head is a ball to make easier the introduction of the cleaning head in small hole; are available in different length till a max. of 6mt

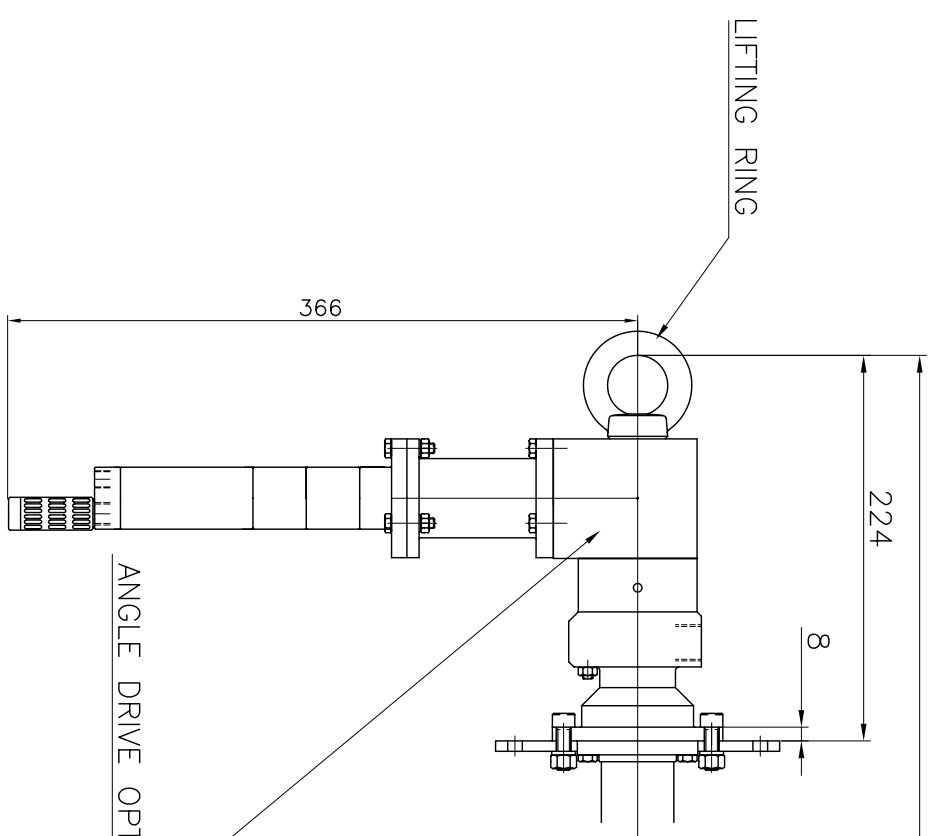
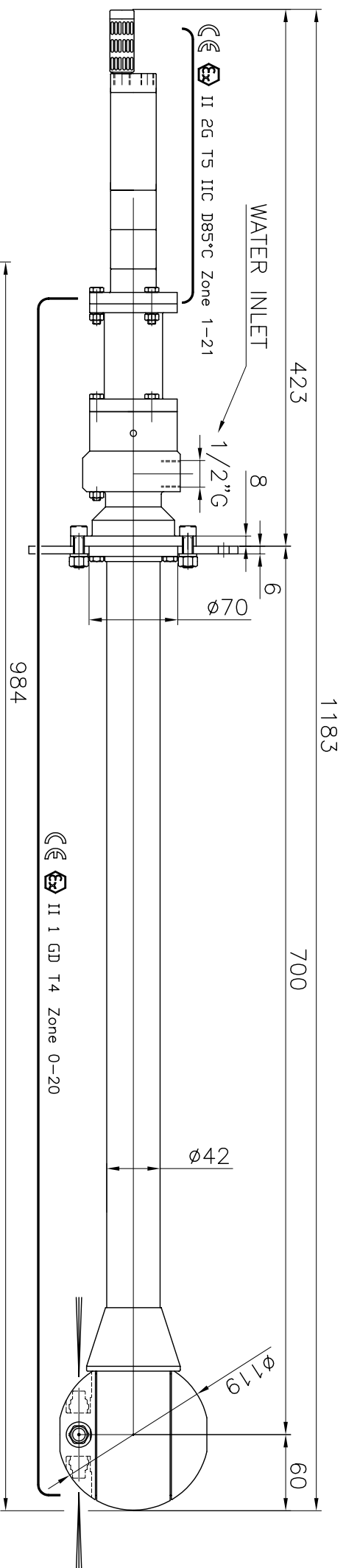


rOtojet



TECHNICAL DATA	
temperature max	90°C
pressure max	500 bar
flow	15-60 l/min
spinning speed	16 rpm
washing cycle time	6 min
min. pass-through hole dia.	120 mm
water inlet	1/2" G
inlet filter	700 micron
material	INOX
seals	NBR
nozzle size	1/4" NPT
nozzles positions	2 - 4
weight	10.5 Kg

RUGOSITA' (UNI 4600)	MODIFICA	1	2	3	4	5	 CLEANING HEADS
	FOGLIO	XXXX					
GREZZO	DATA	XX.XX.XX					MONTECCHIO E. (RE) - ITALY
	TOLLERANZE GENERALI	classe m UNI-EN 22768/1					
~ = ϕ/	0±6	6±30	30±120	120±400	400±1000	1000±2000	DISEGN.: CR CONTR.: DM DATA: 13.05.08 MOD.
SGROSS. 3.2/	±0.1	±0.2	±0.3	±0.5	±0.8	±1.2	
∇ = ∇/	NOTE:						
FINITURA 1.6/	MATERIALE:						
∇∇ = ∇/	DESCRIZIONE: XB 586A						
RETTIFICA 0.8/	INSTALLATION DRAWING						
∇∇∇ = ∇/	CODICE: XB 586A						



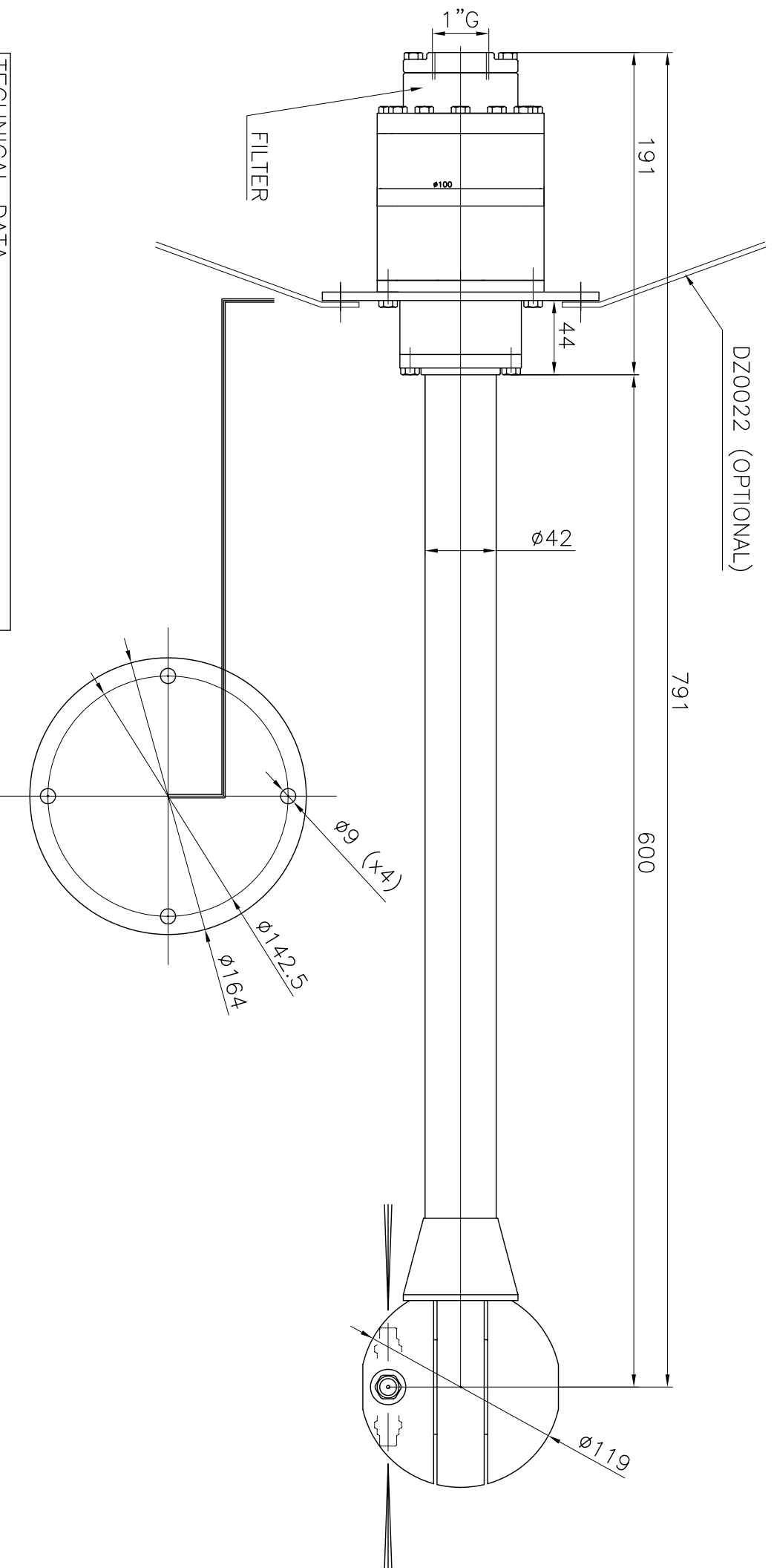
AIR PRESSURE AND CONSUMPTION	
ROTATION SPEED	29 RPM 1 bar 264 L/min. AIR
ROTATION SPEED	42 RPM 2 bar 288 L/min. AIR
ROTATION SPEED	51 RPM 3 bar 300 L/min. AIR
ROTATION SPEED	58 RPM 4 bar 306 L/min. AIR
ROTATION SPEED	62 RPM 5 bar 312 L/min. AIR
ROTATION SPEED	66 RPM 6 bar 324 L/min. AIR

TECHNICAL DATA	
O.RING	NBR
SLIPPER	PTFE+CARBON FIBER
BUSHING	ASI 316
NOZZLES POSITIONS	2 - 4
NOZZLES SIZE	1/4"NPT
MAX OPERATING FLOW	60 L/min
MAX OPERATING PRESSURE	500 bar
MIN PASS THROUGH HOLE	120 mm ON CENTER LINE
MAX TEMPERATURE	90 °C
MATERIAL	INOX ASI 316
GEARS	FIXED Z=39 ROTATING Z=95
MODULE	1
FULL CYCLE	95 ROTATIONS
FULL CYCLE TIME	2 MIN. AT 3 BAR AIR PRESSURE
AIR MOTOR	ATLAS COPCO ATEX BA 725 INOX
AIR EXHAUST	FESTO SILENCER BP 415 ON MOTOR
WEIGHT	7.9 KG

RUGOSITA' (UNI 4600)	MODIFICA	1	2	3	4	5
FOGLIO	XXXX					
GREZZO	DATA	XX.XX.XX				
TOLLERANZE GENERALI classe m UNI-EN 22768/1						
±0.1 ±0.2 ±0.3 ±0.5 ±0.8 ±1.2						
NOTE:						
FINITURA	MATERIALE:					
RETTIFICA	DESCRIZIONE: XB 586 PPF 01					
	INSTALLATION DRAWING					
	CODICE: XB 586 PPF 01					
	SCALA	1:4	A4	O		



DESIGN.: CR CONTR.: DM
 DATA: 04.12.09 MOD.



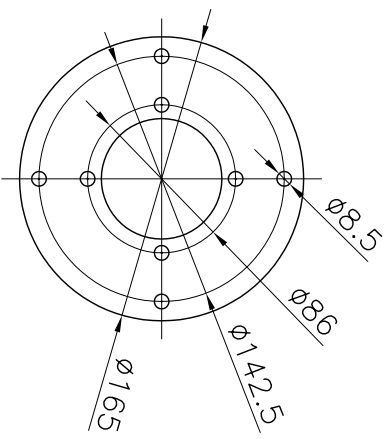
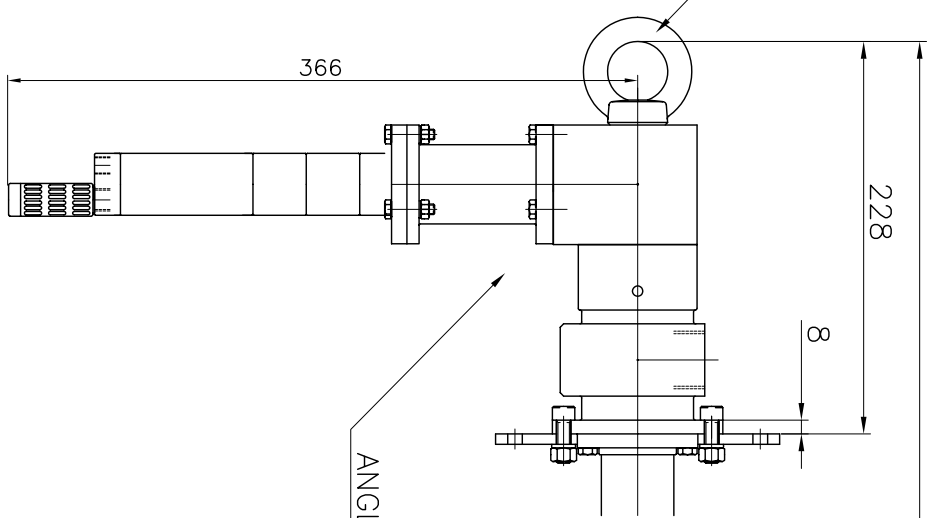
DZ0022 (OPTIONAL)

TECHNICAL DATA	
temperature max	90°C
pressure max	200 bar
flow	60-200 l/min
spinning speed	15 rpm
washing cycle time	6 min
min. pass-through hole dia.	120 mm
water inlet	1"G
inlet filter	700 micron
nozzle size	1/4"NPT
nozzles positions	2 - 4
weight	X.X Kg

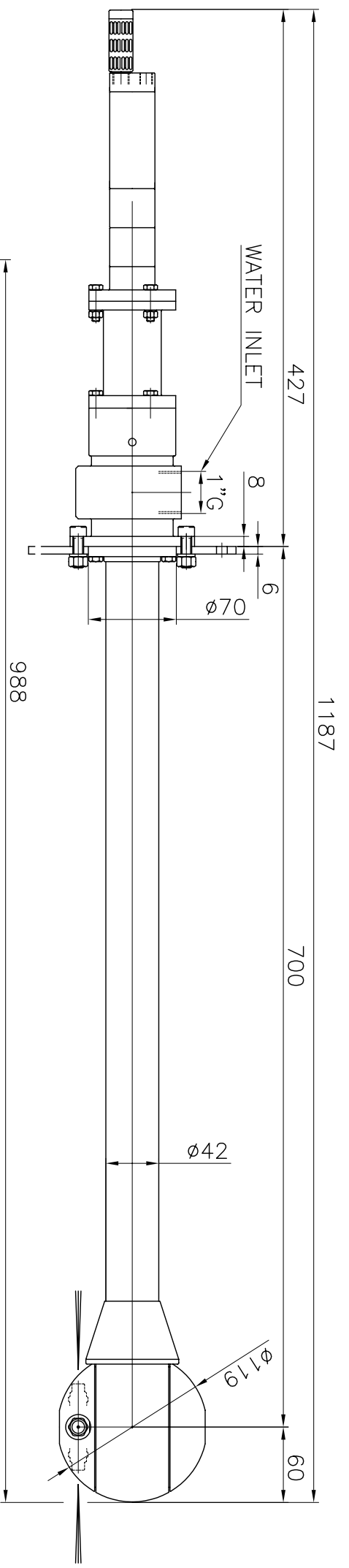
file: XB 200AA.01 comm

RUGOSITA' (UNI 4600)	MODIFICA	1	2	3	4	5
FOGLIO XXXX	FOGLIO	XXXX				
GREZZO	DATA	XX.XX.XX				
TOLLERANZE GENERALI classe m UNI-EN 22768/1						
±0.6	6÷30	30÷120	120÷400	400÷1000	1000÷2000	
SGROSS. 32/	±0.1	±0.2	±0.3	±0.5	±0.8	±1.2
FINITURA 1.6/	NOTE:					
RETTIFICA 0.8/	MATERIALE: INOX					
DESCRIZIONE: XB 200-AA	DESCRIZIONE: XB 200-AA					
INSTALLATION DRAWING	INSTALLATION DRAWING					
CODICE:		XB 200-AA		CODICE:		
SCALE		1:3		SCALE		
MOD.		A4		MOD.		
DISIGN.: CR		CONTR.: DM		DISIGN.: CR		
DATA: 01.12.06				DATA: 01.12.06		
MONTECCHIO E. (RE) - ITALY				MONTECCHIO E. (RE) - ITALY		
CLEANING HEADS				CLEANING HEADS		
Boymo				Boymo		

AIR PRESSURE AND CONSUMPTION			
ROTATION SPEED	29 RPM	1 bar	264 L/min. AIR
ROTATION SPEED	42 RPM	2 bar	288 L/min. AIR
ROTATION SPEED	51 RPM	3 bar	300 L/min. AIR
ROTATION SPEED	58 RPM	4 bar	306 L/min. AIR
ROTATION SPEED	62 RPM	5 bar	312 L/min. AIR
ROTATION SPEED	66 RPM	6 bar	324 L/min. AIR



ANGLE DRIVE OPTION

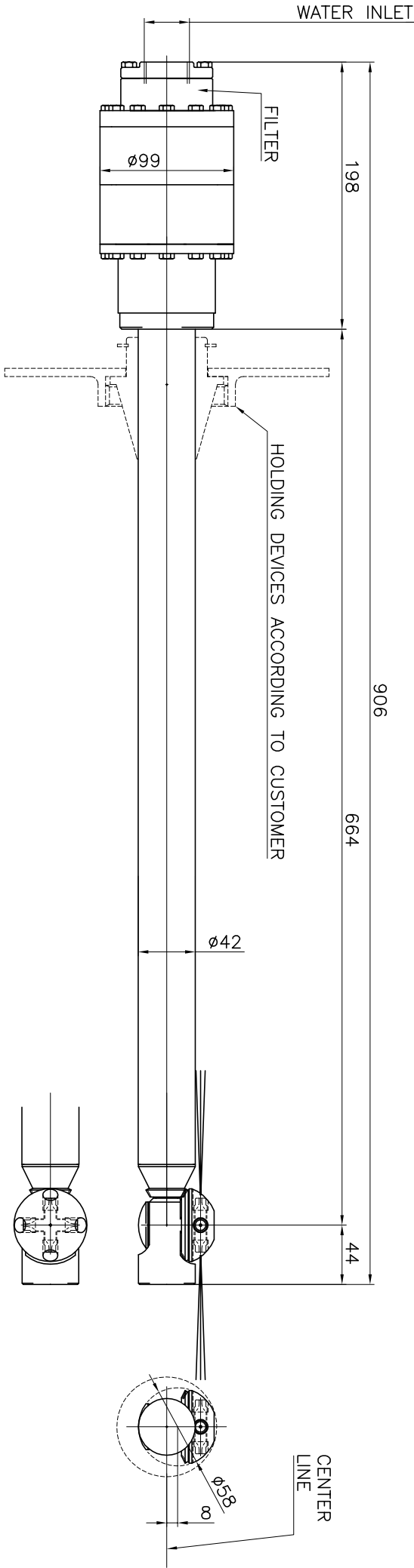


TECHNICAL DATA

O. RING	EPDM
SLIPPER	PTFE+CARBON FIBER
BUSHING	NICKEL BRONZE 25%
NOZZLES POSITIONS	2 - 4
NOZZLES SIZE	1/4"NPT
MAX OPERATING FLOW	200 L/min
MAX OPERATING PRESSURE	200 bar
MIN PASS THROUGH HOLE	120 mm ON CENTER LINE
MAX TEMPERATURE	90 °C
MATERIAL	INOX AISI 316
GEARS	FIXED Z=39 ROTATING Z=95
MODULE	1
FULL CYCLE	95 ROTATIONS
FULL CYCLE TIME	2 MIN. AT 3 BAR AIR PRESSURE
AIR MOTOR	ATLAS COPCO INOX
AIR EXHAUST	FESTO SILENCER BP 415 ON MOTOR
WEIGHT	4.9 KG

RUGOSITA' (UNI 4600)	MODIFICA 1	2	3	4	5
FOGLIO XXXX					
DATA XX.XX.XX					
GREZZO	TOLLERANZE GENERALI classe m UNI-EN 22768/1				
$\sim = \phi$	0 \div 6	6 \div 30	30 \div 120	120 \div 400	400 \div 1000
SGROSS. \sphericalangle	± 0.1	± 0.2	± 0.3	± 0.5	± 0.8
$\sphericalangle = \sphericalangle$	± 0.1	± 0.2	± 0.3	± 0.5	± 1.2
FINITURA \sphericalangle	NOTE: file: XB 200PEAB.01 comm				
RETTIFICA \sphericalangle	MATERIALE: INOX				
$\sphericalangle = \sphericalangle$	DESCRIZIONE: XB 200 P				
$\sphericalangle = \sphericalangle$	INSTALLATION DRAWING				
CODICE: XB 200P		SCALE 1:4		A4	
				O	
		DATE: 27.02.08		MOD. DM	
		DESIGN.: CR		CONTR.: DM	
		MONTECCHIO E. (RE) - ITALY			
		CLEANING HEADS			
		BoToMoff			

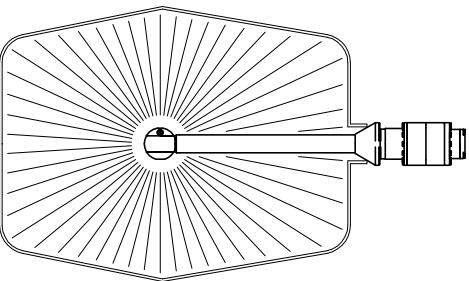
1" NPT-F
1" BSPP-F



TECHNICAL DATA	
O-RING	NBR - EPDM - VITON
SLIPPER	PTFE-CARBON FIBRE
BUSHING	AIISI 316
FILTER	700 MICRON
NOZZLES POSITIONS	2 - 4
NOZZLES THREAD	SPECIAL
OPERATING FLOW RANGE	60 - 120 L/min
OPERATING PRESSURE RANGE	5 - 200 bar
CENTER LINE MIN PASS THROUGH HOLE	74 mm
MANUAL MIN PASS THROUGH HOLE	58 mm
MAX OPERATING TEMPERATURE	90 °C
MATERIAL	INOX AIISI 316
CONICAL GEARS	FIXED Z=29 ROTATING Z=53
MODULE	1
DIFUSER SPEED SETTING OPENINGS	4
ROTATION SPEED	SEE CHART
FULL CYCLE	53 ROTATIONS
FULL CYCLE TIME	2.65 min AT 20 RPM
WEIGHT	9.6 KG

FLOW L/MIN		DIFUSER OPENING			
3	3/6	3/6/9	3/6/9/12		
60	18	8			
80	24	18	13		
100		22	16		
120		27	20	16	

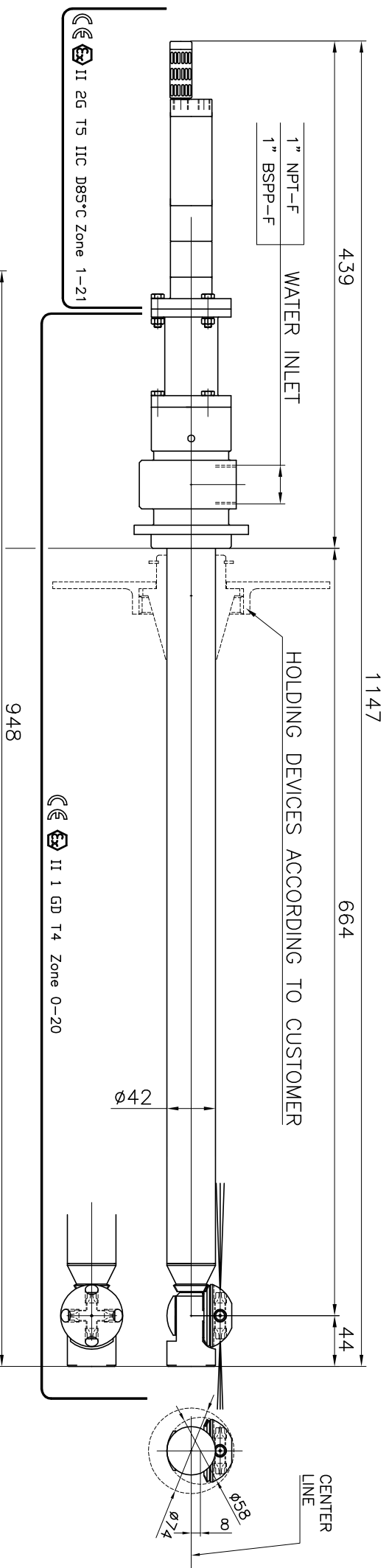
SPINNING SPEED RPM



RUGOSITA' (UNI 4600)	MODIFICA	1	2	3	4	5
GREZZO	FOGLIO	XXXX				
SGROSS. 3/2	DATA	XX.XX.XX				
FINITURA 1.6/	TOLLERANZE GENERALI classe m UNI-EN 22768/1					
RETTIFICA 0.8/	±0.6	6÷30	30÷120	120÷400	400÷1000	1000÷2000
VVV = 0.8/	±0.1	±0.2	±0.3	±0.5	±0.8	±1.2
	NOTE:					
	MATERIALE:					
	DESCRIZIONE: XB 120 A					
	INSTALLATION DRAWING					
	CODICE: XB 120 A					



CLEANING HEADS
MONTECCHIO E. (RE) - ITALY
DISEGN.: CR CONTR.: DM
DATA: 16.11.11
SCALA: 1:3
MOD. A4 O

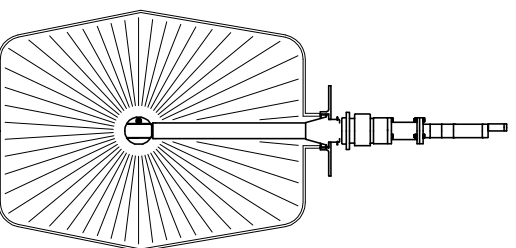
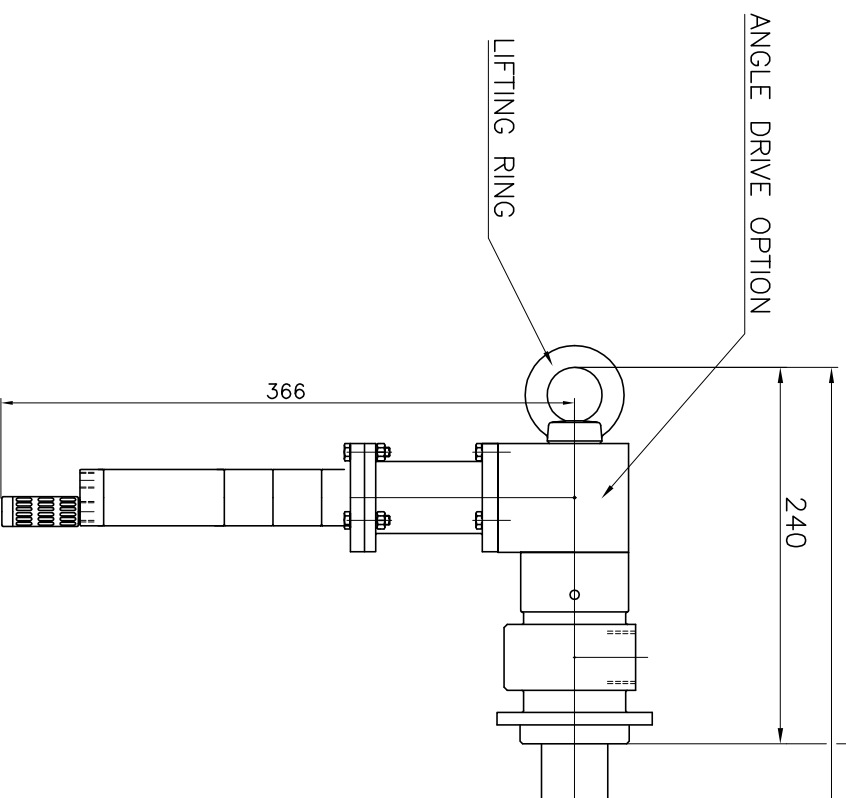


AIR PRESSURE AND CONSUMPTION

ROTATION SPEED	29 RPM	1 bar	264 L/min. AIR
ROTATION SPEED	42 RPM	2 bar	288 L/min. AIR
ROTATION SPEED	51 RPM	3 bar	300 L/min. AIR
ROTATION SPEED	58 RPM	4 bar	306 L/min. AIR
ROTATION SPEED	62 RPM	5 bar	312 L/min. AIR
ROTATION SPEED	66 RPM	6 bar	324 L/min. AIR

TECHNICAL DATA

O-RING	EPDM
SLIPPER	PTFE+CARBON FIBER
BUSHING	ASI 316
NOZZLES POSITIONS	2 - 4
NOZZLES SIZE	SPECIAL
MAX OPERATING FLOW	120 L/min
MAX OPERATING PRESSURE	200 bar
MIN PASS THROUGH HOLE	74 mm ON CENTER LINE
MIN PASS THROUGH HOLE	58 mm MANUAL
MAX TEMPERATURE	90 °C
MATERIAL	INOX AISI 316
GEARS	FIXED Z=29 ROTATING Z=53
MODULE	1
FULL CYCLE	53 ROTATIONS
FULL CYCLE TIME	1 MIN. AT 3 BAR AIR PRESSURE
AIR MOTOR	ATLAS COPCO ATEX BA0725 INOX
AIR EXHAUST	FESTO SILENCER BP 415 ON MOTOR
WEIGHT	4.9 KG



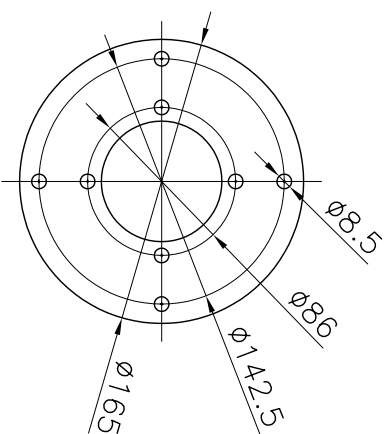
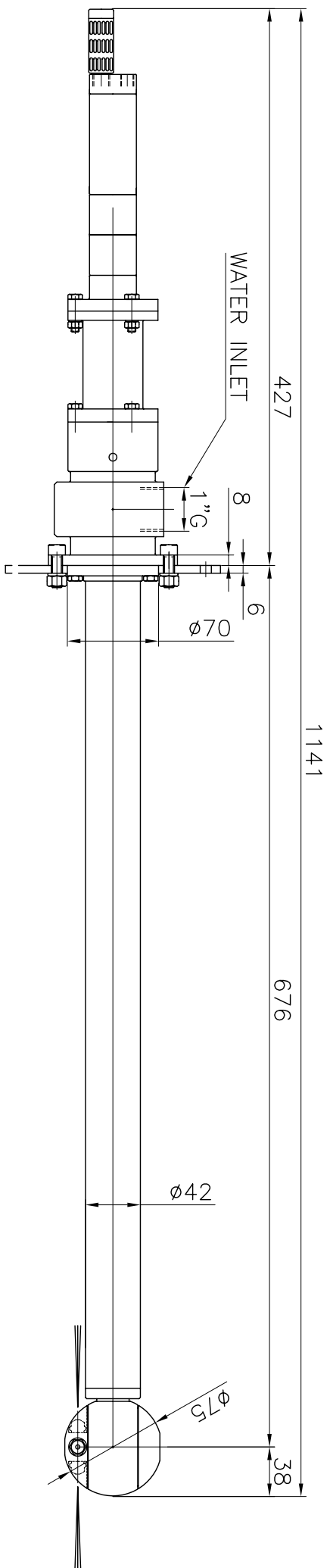
RUGOSITA' (UNI 4600)	MODIFICA	1	2	3	4	5
FOGLIO	XXXX					
DATA	XX.XX.XX					
GREZZO	TOLLERANZE GENERALI classe m UNI-EN 22768/1					
~ =	0÷6	6÷30	30÷120	120÷400	400÷1000	1000÷2000
SGROSS.	±0.1	±0.2	±0.3	±0.5	±0.8	±1.2
∇ =	3/2					
FINITURA 1/g	NOTE:					
∇∇ =	MATERIALE:					
RETTIFICA 0/g	DESCRIZIONE: XB 120 P					
∇∇∇ =	INSTALLATION DRAWING					
	CODICE: XB 120 P					



CLEANING HEADS
MONTECCHIO E. (RE) - ITALY

DISEGN.: CR | CONTR.: DM
DATA: 16.11.11
SCALA: 1:4

MOD. A4 O



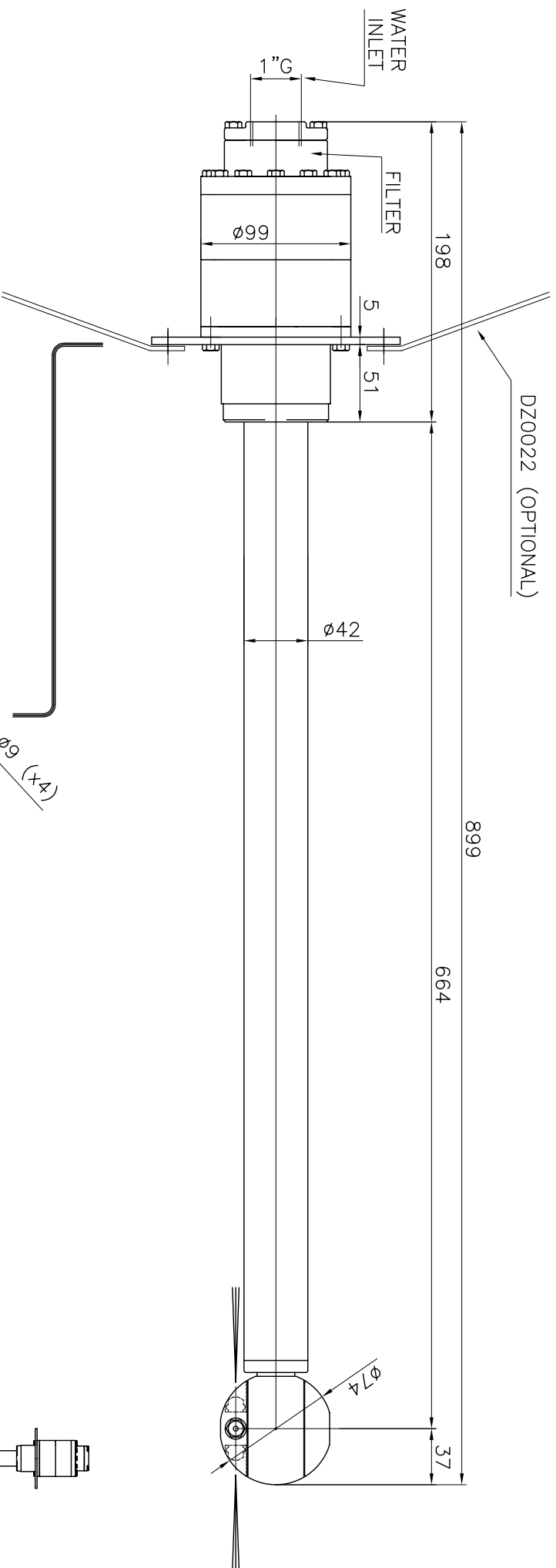
TECHNICAL DATA

O. RING	EPDM
SLIPPER	PTFE+CARBON FIBER
BUSHING	AIISI 316
NOZZLES POSITIONS	2 - 4
NOZZLES SIZE	SPECIAL
MAX OPERATING FLOW	120 L/min
MAX OPERATING PRESSURE	200 bar
MIN PASS THROUGH HOLE	75 mm ON CENTER LINE
MAX TEMPERATURE	90 °C
MATERIAL	INOX AISI 316
GEARS	FIXED Z=39 ROTATING Z=59
MODULE	1
FULL CYCLE	59 ROTATIONS
FULL CYCLE TIME	1.2 MIN. AT 3 BAR AIR PRESSURE
AIR MOTOR	ATLAS COPCO ATEX BA 723 INOX
AIR EXHAUST	FESTO SILENCER BP 415 ON MOTOR
WEIGHT	4.9 KG

AIR PRESSURE AND CONSUMPTION

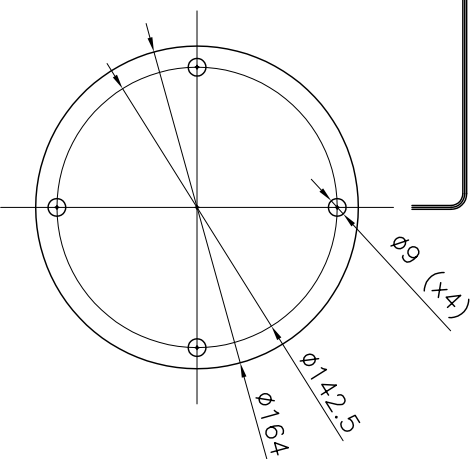
ROTATION SPEED	29 RPM	1 bar	264 L/min. AIR
ROTATION SPEED	42 RPM	2 bar	288 L/min. AIR
ROTATION SPEED	51 RPM	3 bar	300 L/min. AIR
ROTATION SPEED	58 RPM	4 bar	306 L/min. AIR
ROTATION SPEED	62 RPM	5 bar	312 L/min. AIR
ROTATION SPEED	66 RPM	6 bar	324 L/min. AIR

RUGOSITA' (UNI 4600)	1	2	3	4	5
GREZZO	XX.XX.XX				
SGROSS.	0.6	6.30	30.120	120.400	400.1000
FINITURA	1.6				
RETTIFICA	0.8				
DESCRIZIONE:	XB100-P				
INSTALLATION DRAWING					
MODIFICA	1	2	3	4	5
FOGLIO	XXXX				
DATA	XX.XX.XX				
TOLLERANZE GENERALI	classe m UNI-EN 22768/1				
NOTE:	±0.1 ±0.2 ±0.3 ±0.5 ±0.8 ±1.2				
MATERIALE:	INOX				
DESCRIZIONE:	XB100-P				
INSTALLATION DRAWING					
CODICE:	XB100-P				
MONTECCHIO E. (RE) - ITALY					
DESIGN.: CR					
CONTR.: DM					
DATA: 21.04.09					
MOD.					
SCALA	1:4				
	A4				
	O				

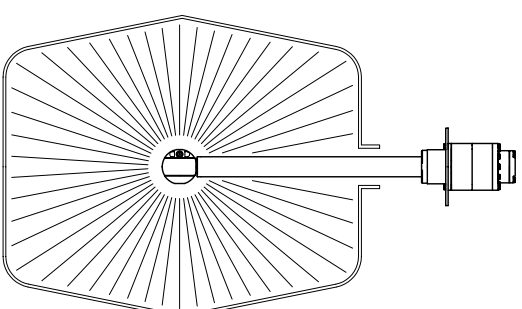


TECHNICAL DATA

O-RING	NBR - EPDM - VITON
SLIPPER	PTFE+CARBON FIBRE
BUSHING	AINI 316
FILTER	700 MICRON
NOZZLES POSITIONS	2 - 4
NOZZLES THREAD	SPECIAL
TESTING NOZZLES	0 x DR0000
OPERATING FLOW RANGE	60 - 120 L/min
TESTING FLOW	000 L/min
OPERATING PRESSURE RANGE	5 - 200 bar
TESTING PRESSURE	000 bar
CENTER LINE MIN PASS THROUGH HOLE	74 mm
MANUAL MIN PASS THROUGH HOLE	74 mm
MAX OPERATING TEMPERATURE	90 °C
MATERIAL	INOX AISI 316
CONICAL GEARS	FIXED Z=39 ROTATING Z=59
MODULE	1
DIFFUSER SPEED SETTING OPENINGS	4
TESTING DIFFUSER OPENING	X/X/X/X
ROTATION SPEED	SEE CHART
FULL CYCLE	59 ROTATIONS
FULL CYCLE TIME	3 min AT 20 RPM
WEIGHT	9.6 KG



FLOW L/MIN	DIFFUSER OPENING				
60	3	3/6	3/6/9	3/6/9/12	
80	18	24	18	13	
100			22	16	
120			27	20	16



RUGOSITA' (UNI 4600)	MODIFICA 1	2	3	4	5
GREZZO	FOGLIO XXXX				
SGROSS. 3.2/	DATA XX.XX.XX				
FINITURA 1.6/	TOLLERANZE GENERALI classe m UNI-EN 22768/1				
RETTIFICA 0.8/	0±0.1 6±0.30 30±120 120±400 400±1000 1000±2000				
▽▽ = √	±0.1 ±0.2 ±0.3 ±0.5 ±0.8 ±1.2				
▽ = √	NOTE:				
▽▽ = √	MATERIALE: INOX				
DESCRIZIONE: XB 100 A					
INSTALLATION DRAWING					
CODICE: XB 100 A					

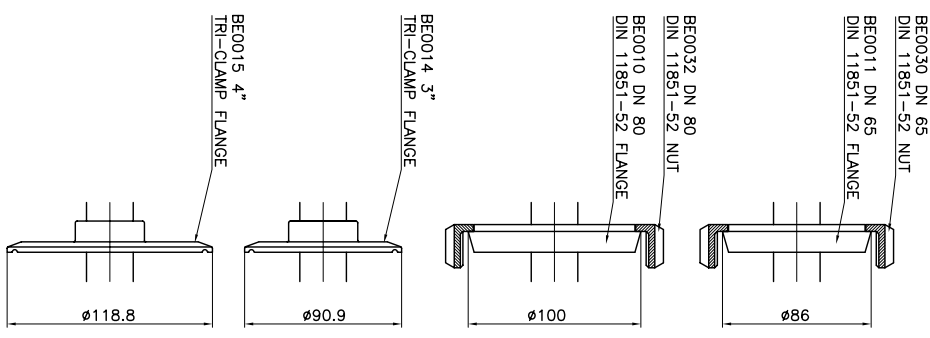
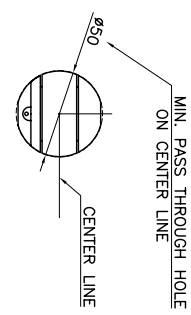
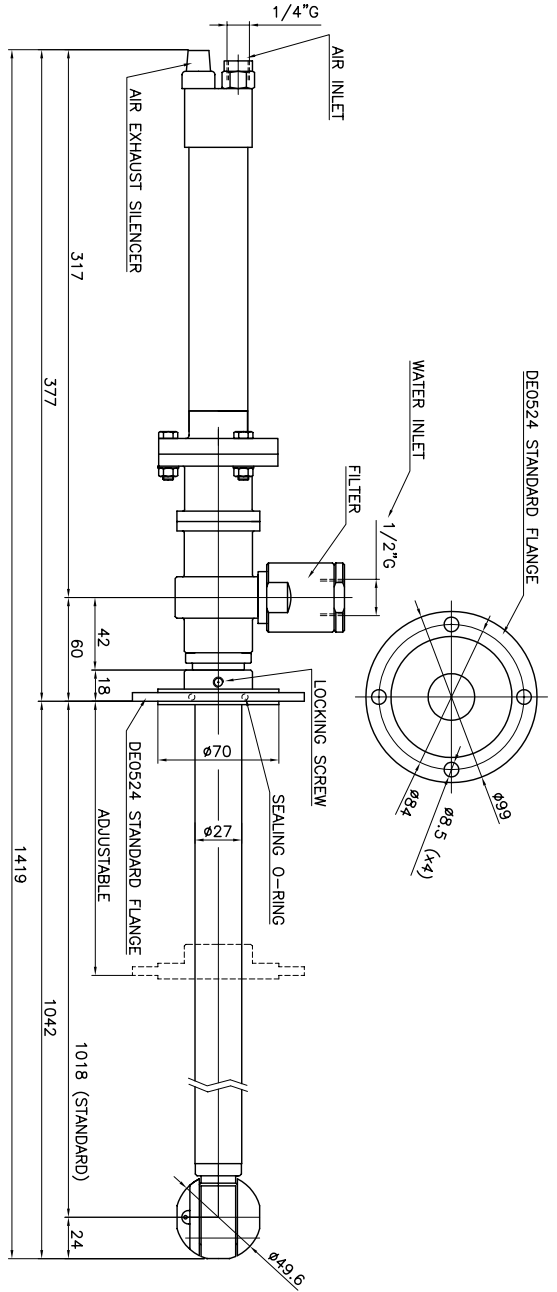


DISIGN.: CR CONTR.: DM
 DATA: 28.04.09 MOD.

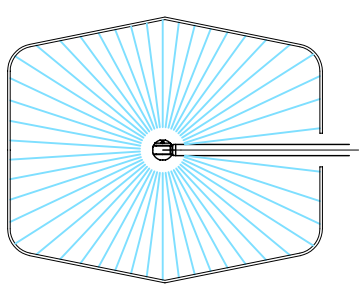
SCALA 1:3 A4 O

ROTATION SPEED	
AIR PRESSURE AND CONSUMPTION	
19 RPM	1 bar 155 L/min
28 RPM	2 bar 230 L/min
33 RPM	3 bar 275 L/min
37 RPM	4 bar 320 L/min
40 RPM	5 bar 360 L/min
51 RPM	6 bar 395 L/min

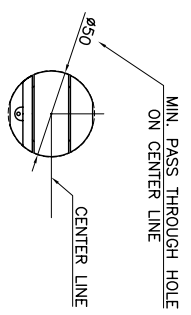
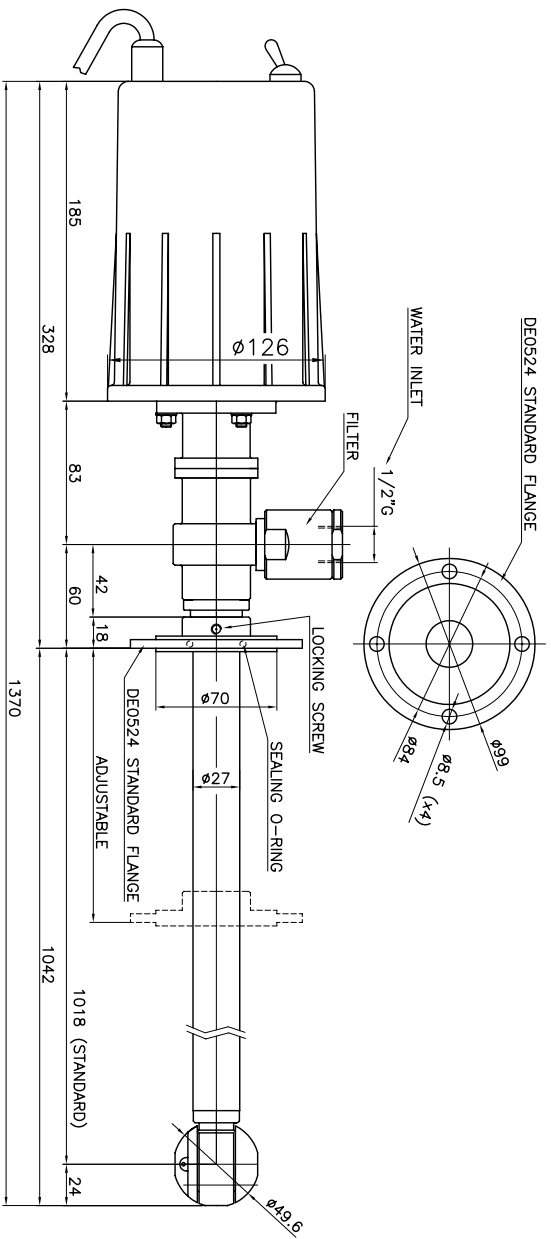
TECHNICAL DATA	
O-RING	NBR - EPDM - VITON
SLEPPER	PTFE-CARBON FIBRE
BUSHING	AINI 316
FILTER	700 MICRON
NOZZLES POSITIONS	2 - 4
NOZZLES THREAD	SPECIAL XB 060
TESTING NOZZLES	0 x DIA. 00.0
OPERATING FLOW RANGE	0 - 60 L/min
TESTING FLOW	00 L/min
OPERATING PRESSURE RANGE	0 - 200 bar
TESTING PRESSURE	000 bar
CENTER LINE MIN PASS THROUGH HOLE	50 mm
MANUAL MIN PASS THROUGH HOLE	50 mm
PIPE LENGTH	1018 mm (STANDARD)
MAX OPERATING TEMPERATURE	90 °C
MATERIAL	INOX AISI 316
CONICAL GEARS	FIXED Z=29 ROTATING Z=31
MODULE	1
FULL CYCLE	31 ROTATIONS
FULL CYCLE TIME	1 min AT 3 BAR AIR PRESSURE
AIR MOTOR	BA0705 FIAM M15Z
AIR EXHAUST	WITH SILENCER
ROTATION SPEED	SEE CHART
WEIGHT	7.5 KG



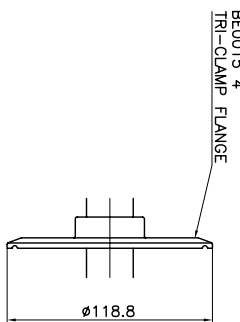
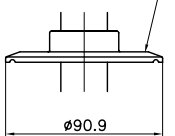
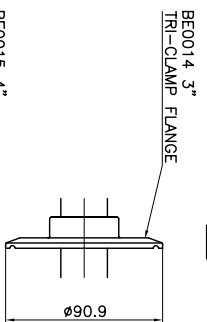
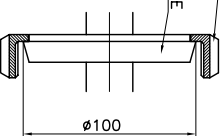
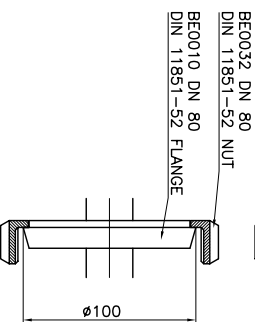
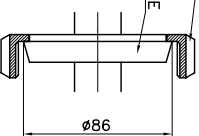
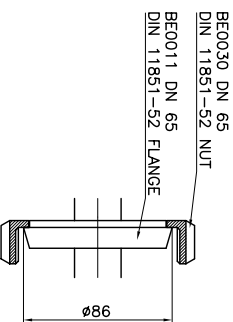
RUGOSITA' (UNI 4600)	MODIFICA	1	2	3	4	5
FOGLIO	XXXX					
GREZZO	DATA	XX.XX.XX				
TOLLERANZE GENERALI classe m UNI-EN 22768/1						
SGROSS. 3.2/	0-+6	6-+30	30-+120	120-+400	400-+1000	1000-+2000
∇ = 3.2/	±0.1	±0.2	±0.3	±0.5	±0.8	±1.2
NOTE:						
FINITURA 1.6/	DESCRIZIONE:	XB 061 P APPLICATION DRAWING				
RETTIFICA 0.8/						
∇∇ = 0.8/						
∇∇∇ = 0.8/						



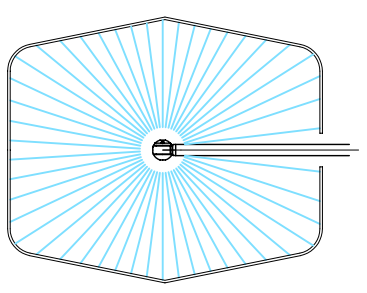
MONTECCHIO E. (RE) - ITALY
 DISIGN.: CR ICONTR.: DM
 DATA: 06.07.09
 CODICE: XB 061 P
 SCALE: 1:3 A3 O



TECHNICAL DATA	
O-RING	NBR - EPDM - VITON
SLEPPER	PTFE-CARBON FIBRE
BUSHING	ALSI 316
FILTER	700 MICRON
NOZZLES POSITIONS	2 - 4
NOZZLES THREAD	SPECIAL XB 060
TESTING NOZZLES	0 x DIA. 00.0
OPERATING FLOW RANGE	0 - 60 L/min
TESTING FLOW	00 L/min
OPERATING PRESSURE RANGE	0 - 200 bar
TESTING PRESSURE	000 bar
CENTER LINE MIN PASS THROUGH HOLE	50 mm
MANUAL MIN PASS THROUGH HOLE	1018 mm (STANDARD)
PIPE LENGTH	50 mm
MAX OPERATING TEMPERATURE	90 °C
MATERIAL	INOX ALSI 316
CONICAL GEARS	FIXED Z=29 ROTATING Z=31
MODULE	1
FULL CYCLE	31 ROTATIONS
FULL CYCLE TIME	1.5 min
ELECTRIC MOTOR	BB0015
ELECTRIC MOTOR VOLT	24V DC/AC
WEIGHT	7.5 KG



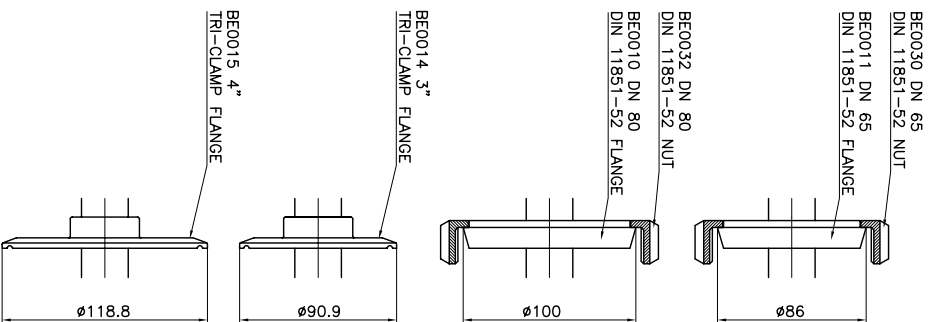
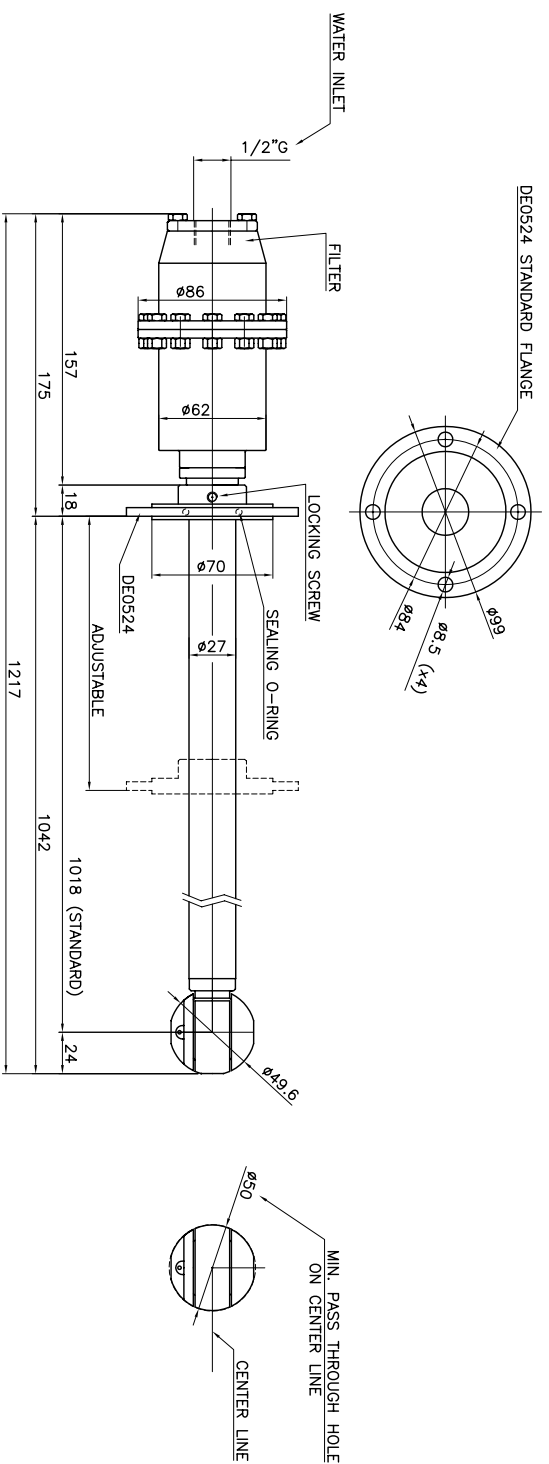
RUGOSITA' (UNI 4600)	MODIFICA	1	2	3	4	5
FOGLIO	XXXX					
GREZZO	DATA	XX XX XX				
TOLLERANZE GENERALI classe m	UNI-EN	22768/1				
SGROSS.	0-+6	6-+30	30-+120	120-+400	400-+1000	1000-+2000
$\nabla = 3.2/$	± 0.1	± 0.2	± 0.3	± 0.5	± 0.8	± 1.2
NOTE:						
FINITURA 1.6/	DESCRIZIONE:	XB 061 E				
RETTIFICA 0.8/	APPLICATION DRAWING					
$\nabla \nabla = 1.6/$						
$\nabla \nabla \nabla = 0.8/$						
CODICE:		XB 061 E				
SCALA		1:3				
DISIGN.: GR ICONTR.: DM		A3				
DATA: 06.07.09		O				
MOD.						
MONTECOCHIO E. (RE) - ITALY						
MONTECCHIOLINI						
CLEANING HEADS						




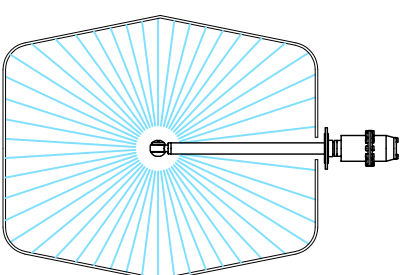
DIFFUSER CODE - HOLES	FLOW L/MIN
DF0401 - 6x1.50	10
DF0403 - 12x2.30	15
DF0403 - 12x2.30	20
DF0405 - 12x2.70	25
DF0406 - 12x3.00	30
DF0408 - 12x3.40	35
DF0419 - 18x3.20	40
DF0419 - 18x3.20	45
DF0420 - 18x3.40	50
DF0420 - 18x3.40	55
DF0420 - 18x3.40	60

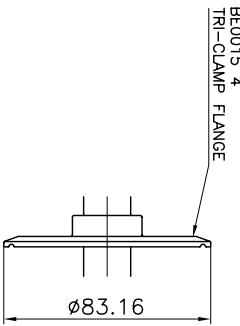
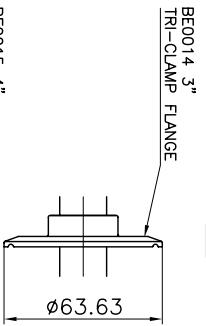
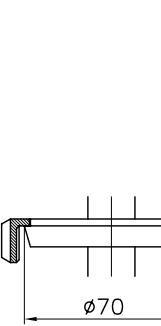
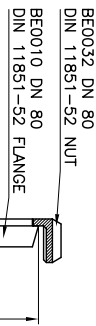
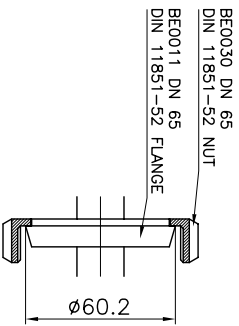
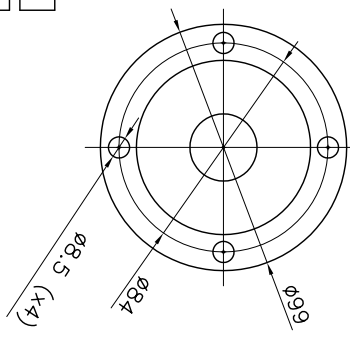
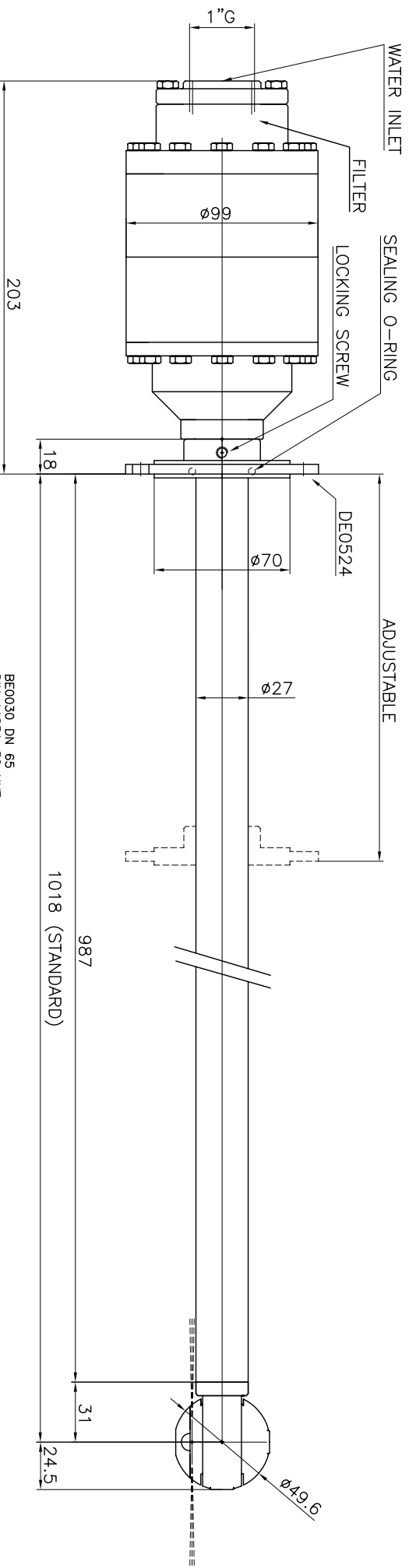
TECHNICAL DATA

O-RING	NBR - EPDM - VITON
SLIPPER	PTFE+CARBON FIBRE
BUSHING	ASI 316
FILTER	700 MICRON
NOZZLES POSITIONS	2 - 4
NOZZLES THREAD	SPECIAL XB 060
TESTING NOZZLES	0 x DIA. 00.0
OPERATING FLOW RANGE	10 - 60 L/min
TESTING FLOW	00 L/min
OPERATING PRESSURE RANGE	0 - 150 bar
TESTING PRESSURE	000 bar
CENTER LINE MIN PASS THROUGH HOLE	50 mm
MANUAL MIN PASS THROUGH HOLE	50 mm
PIPE LENGHT	1018 mm (STANDARD)
MAX OPERATING TEMPERATURE	90 °C
MATERIAL	INOX AISI 316
CONICAL GEARS	FIXED Z=29 ROTATING Z=31
MODULE	1
ROTATION SPEED RANGE	15 TO 25 RPM
TESTING DIFFUSER CODE	DF0000 (SEE CHART)
FULL CYCLE	31 ROTATIONS
FULL CYCLE TIME	1.5 min AT 20 RPM
WEIGHT	3.2 KG

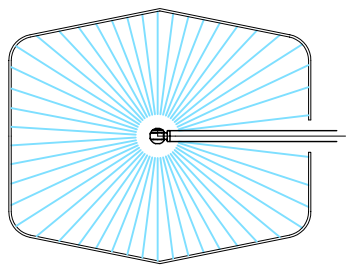
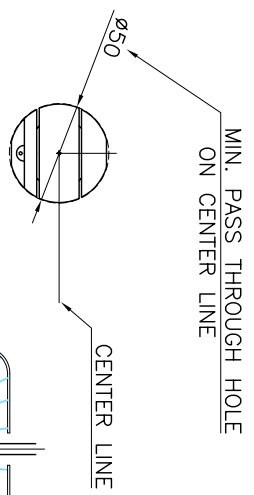


RUGOSITÀ (UNI 4600)	MODIFICA	1	2	3	4	5
FOGLIO	XXXX					
GREZZO	DATA	XX.XX.XX				
TOLLERANZE GENERALI classe m UNI-EN 22768/1						
0+6	6-30	30-120	120-400	400-1000	1000-2000	
±0.1	±0.2	±0.3	±0.5	±0.8	±1.2	
NOTE:						
FINITURA 1,6/	DESCRIZIONE:	XB 061 A				
RETIFICA 0,8/	APPLICATION DRAWING					
▽▽ = 1,6/						
▽▽▽ = 0,8/						
 CLEANING HEADS MONTECCHIO E. (RE) - ITALY DISIGN.: CR ICONTR.: DM DATA: 06.07.09 MOD.		CODICE: XB 061 A				
SCALA 1:3		A3		O		





TECHNICAL DATA	
O-RING	NBR - EPDM - VITON
SLIPPER	PTFE+CARBON FIBRE
FILTER	700 MICRON
NOZZLES POSITIONS	2/4
NOZZLES TYPE	SPECIAL NOZZLE XB060
OPERATING FLOW MAX	60 L/min
OPERATING PRESSURE MAX	200 bar
MAX OPERATING TEMPERATURE	90 °C
MATERIAL	INOX AISI 316
CONICAL GEARS	FIXED Z=23 ROTATING Z=25
MODULE	1
COMPLETE CYCLE	25 ROTATIONS
COMPLETE CYCLE TIME	1.1 MIN.
ROTATION SPEED	24 RPM
WEIGHT	7.5 KG



RUGOSITA' (UNI 4600)	MODIFICA	1	2	3	4	5
FOGLIO	XXXX					
GREZZO	DATA	XX.XX.XX				
TOLLERANZE GENERALI classe m UNI-EN 22768/1						
SGROSS. 3/2	NOTE:	±0.1	±0.2	±0.3	±0.5	±0.8
FINITURA	DESCRIZIONE: APPLICATION DRAWING					
RETTIFICA	XB 061 AAH					
VVV = 0.8/√						

Bolonoff

 CLEANING HEADS

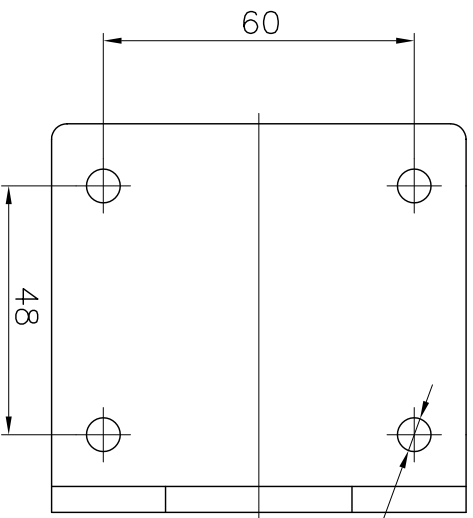
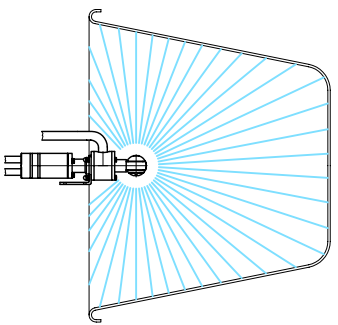
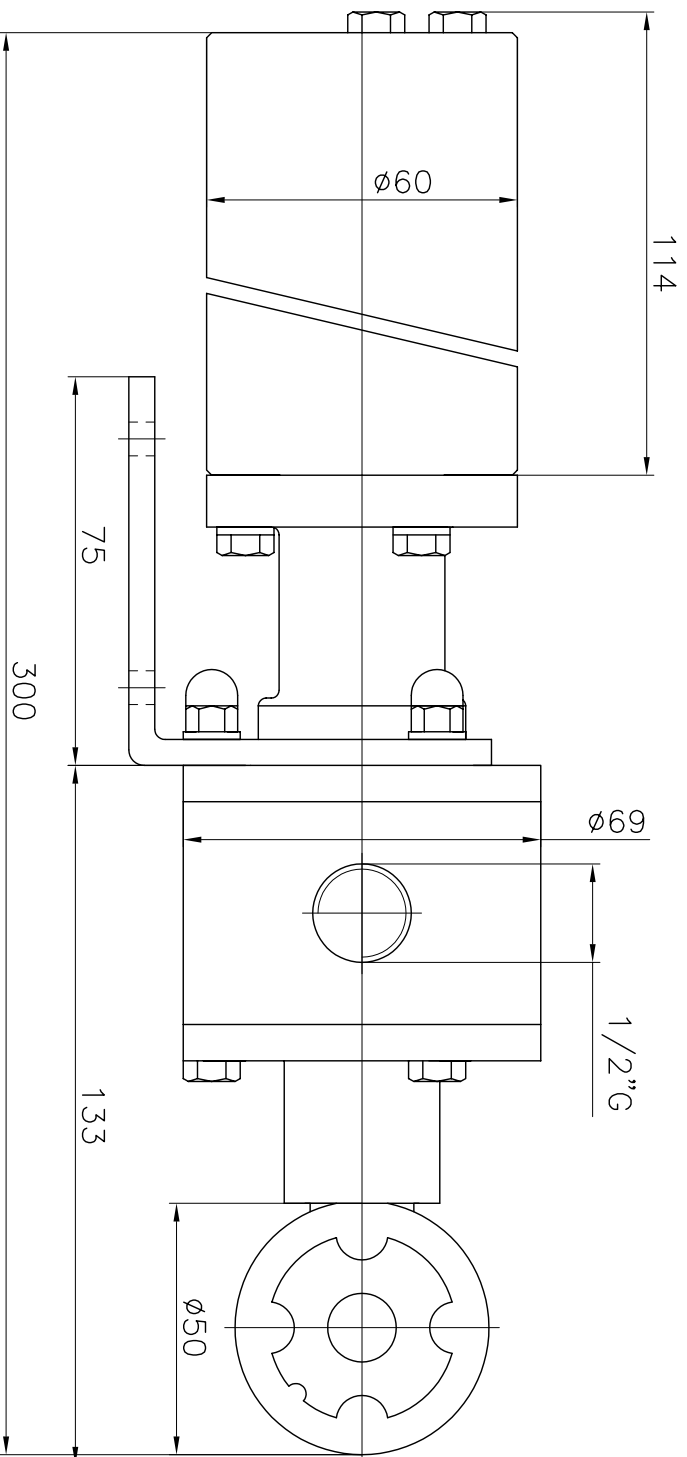
MONTTECHIO E. (RE) - ITALY

DISEGN.: CR | CONTR.: DM

DATA: 18.12.06 | MOD.

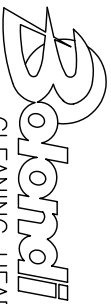
CODICE: XB 061AAH

SCALA: 1:3 | A4 | O

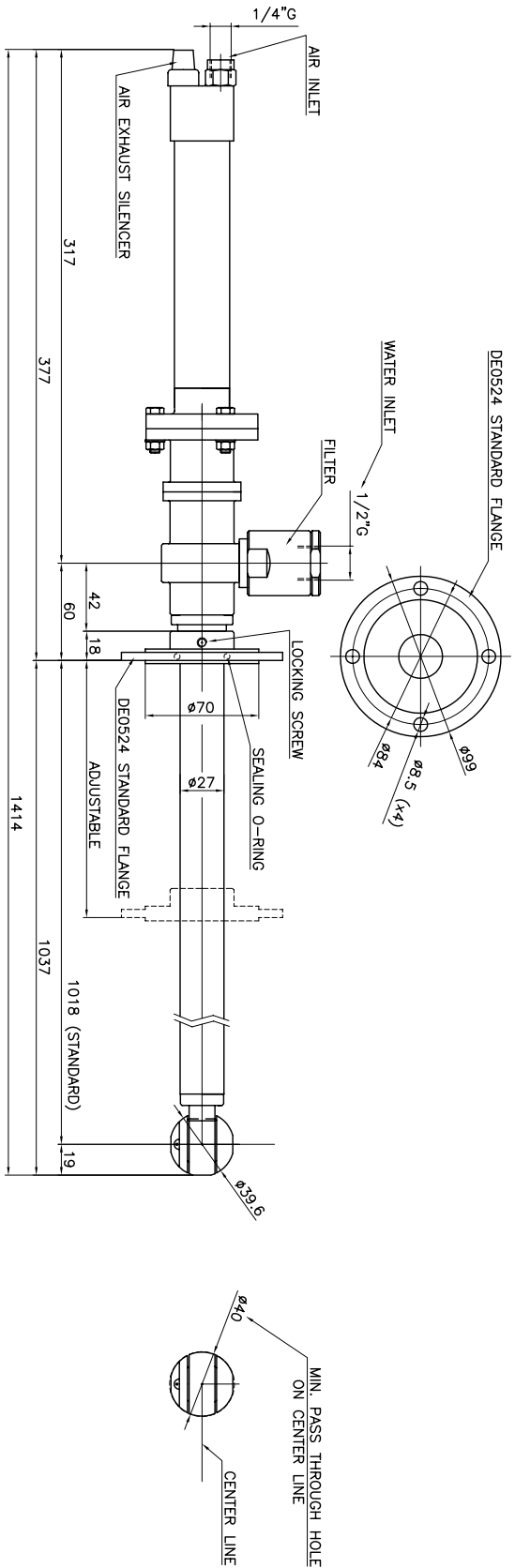


flangiaturo: coassiale o laterale
 materiale: inox 316
 motore: idraulico
 portata max: 60 l/min
 pressione max: 200 bar
 temperatura max: 90°C
 tenute: nbr
 portaugelli: 2-4 vie

flanging: lateral or coaxial
 materials: stainless steel 316
 motor: hydraulic
 flow max: 60 l/min
 pressure max: 200 bar
 temperature max: 90°C
 seals: nbr
 nozzle holder: 2-4 holes

RUGOSITA' (UNI 4600)	MODIFICA	1	2	3	4	5	 CLEANING HEADS MONTECCHIO E. (RE) - ITALY
	Foglio DATA	XXXX XX.XX.XX					
GREZZO	TOLLERANZE GENERALI classe m UNI-EN 22768/1						
~ = √	0÷6	6÷30	30÷120	120÷400	400÷1000	1000÷2000	
SGROSS.	±0.1	±0.2	±0.3	±0.5	±0.8	±1.2	
∇ = 3/2	NOTE: VERSIONE 04						
FINITURA	MATERIALE:						
∇∇ = 1.6/							
RETTIFICA	DESCRIZIONE: APPLICATION DRAWING						
∇∇∇ = 0.8/	CODICE: XB 060HY						
	SCALA	1:1		A3	0		MOD.
	DATA:	01.01.05		DISEGN.: SN		CONTR.: DM	

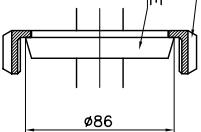
ROTATION SPEED	
AIR PRESSURE AND CONSUMPTION	
19 RPM	1 bar 155 L/min
28 RPM	2 bar 230 L/min
33 RPM	3 bar 275 L/min
37 RPM	4 bar 320 L/min
40 RPM	5 bar 360 L/min
51 RPM	6 bar 395 L/min



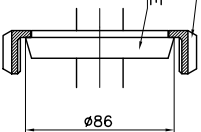
TECHNICAL DATA

O-RING	NBR - EPDM - VITON
SLIPPER	PTFE-CARBON FIBRE
BUSHING	AINI 316
FILTER	700 MICRON
NOZZLES POSITIONS	2 - 4
NOZZLES THREAD	SPECIAL XB 030
TESTING NOZZLES	0 x DIA. 00.0
OPERATING FLOW RANGE	0 - 30 L/min
TESTING FLOW	00 L/min
OPERATING PRESSURE RANGE	0 - 200 bar
TESTING PRESSURE	000 bar
CENTER LINE MIN PASS THROUGH HOLE	40 mm
MANUAL MIN PASS THROUGH HOLE	40 mm
PIPE LENGTH	1018 mm (STANDARD)
MAX OPERATING TEMPERATURE	90 °C
MATERIAL	INOX AISI 316
CONICAL GEARS	FIXED Z=23 ROTATING Z=25
MODULE	1
FULL CYCLE	25 ROTATIONS
FULL CYCLE TIME	1 min AT 3 BAR AIR PRESSURE
AIR MOTOR	BA0705 FIAM M15Z
AIR EXHAUST	WITH SILENCER
ROTATION SPEED	SEE CHART
WEIGHT	7.5 KG

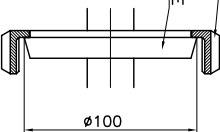
BE0030 DN 65
DIN 11851-52 NUT



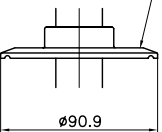
BE0011 DN 65
DIN 11851-52 FLANGE



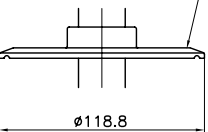
BE0010 DN 80
DIN 11851-52 FLANGE



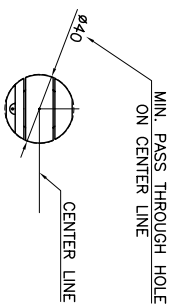
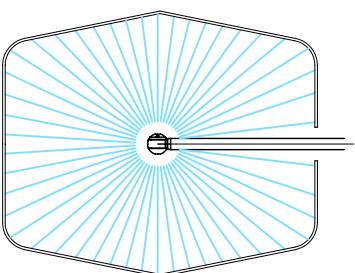
BE0014 3\"/>

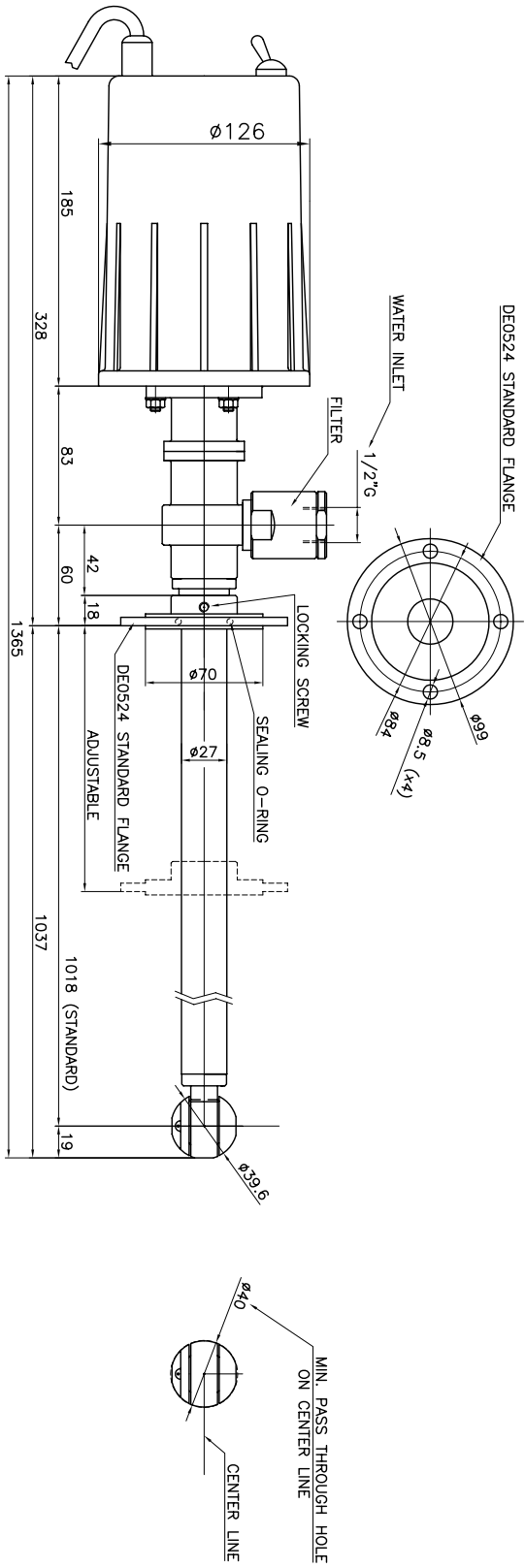


BE0015 4\"/>

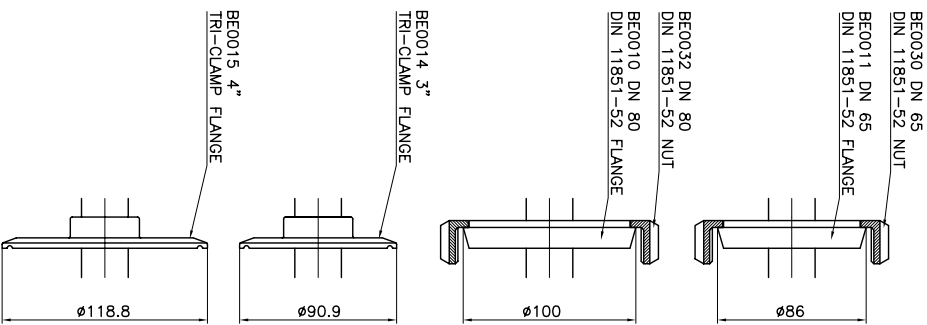


RUGOSITA' (UNI 4600)	MODIFICA	1	2	3	4	5
FOGLIO	XXXX					
GREZZO	DATA	XX.XX.XX				
TOLLERANZE GENERALI classe m	UNI-EN	22768/1				
SGROSS.	0+6	6-30	30-120	120-400	400-1000	1000-2000
∇	± 0.1	± 0.2	± 0.3	± 0.5	± 0.8	± 1.2
NOTE:						
FINITURA 1,6/ ∇	DESCRIZIONE:	XB 031 P				
RETTIFICA 0,8/ ∇	APPLICATION	DRAWING				
$\nabla\nabla = 0,8/\nabla$	CODICE:	XB 031 P				
	SCALA	1:3				
		A3				
		O				
	DISIGN.: CR	CONTR.: DM				
	DATA: 06.07.09	MOD.				
		MONTECCHIO E. (RE) - ITALY				
		BOROMATI CLEANING HEADS				

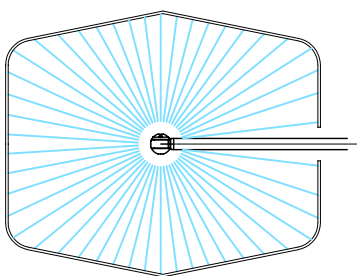


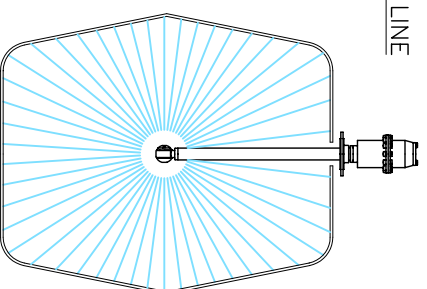
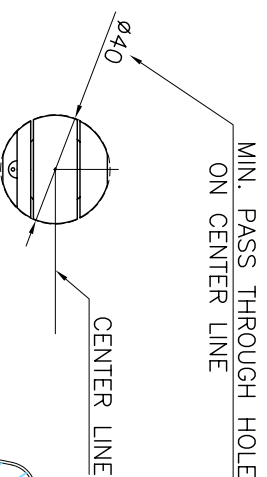
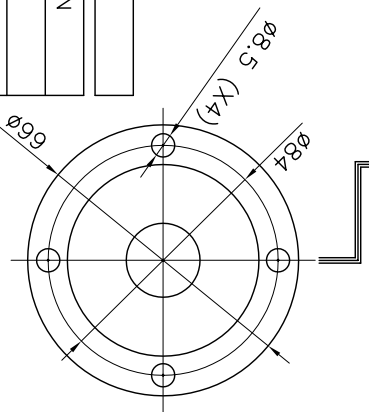
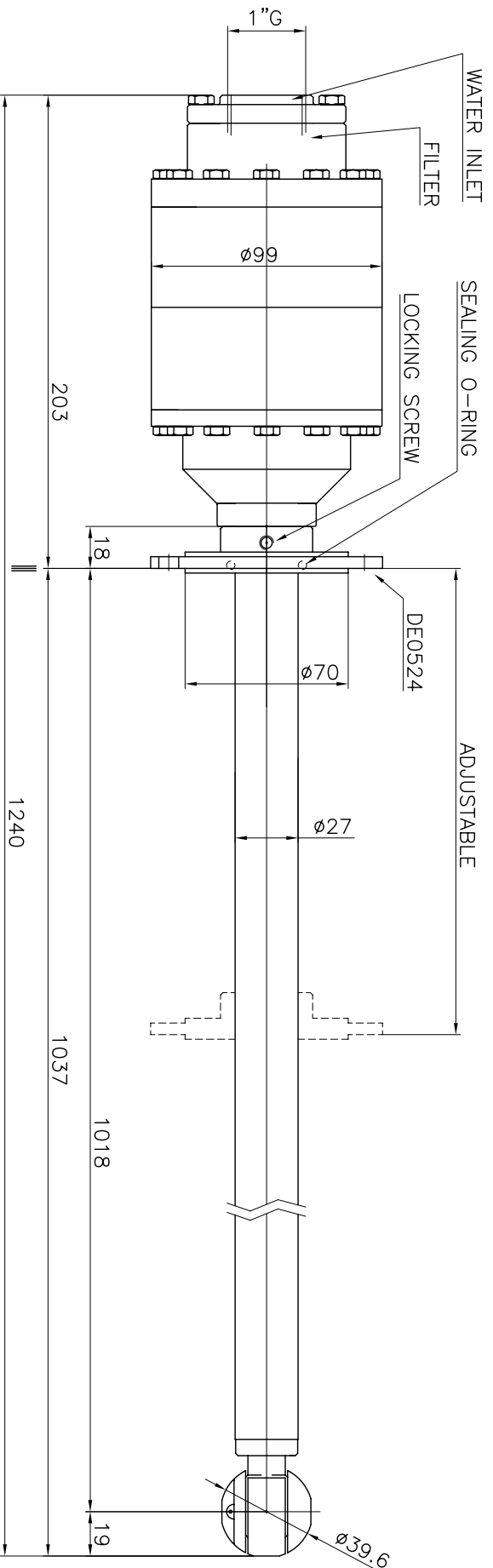


TECHNICAL DATA	
O-RING	NBR - EPDM - VITON
SLEPPER	PTFE-CARBON FIBRE
BUSHING	AINI 316
FILTER	700 MICRON
NOZZLES POSITIONS	2 - 4
NOZZLES THREAD	SPECIAL XB 030
TESTING NOZZLES	0 x DIA. 00.0
OPERATING FLOW RANGE	0 - 30 L/min
TESTING FLOW	00 L/min
OPERATING PRESSURE RANGE	0 - 200 bar
TESTING PRESSURE	000 bar
CENTER LINE MIN PASS THROUGH HOLE	40 mm
MANUAL MIN PASS THROUGH HOLE	40 mm
PIPE LENGTH	1018 mm (STANDARD)
MAX OPERATING TEMPERATURE	90 °C
MATERIAL	INOX AISI 316
CONICAL GEARS	FIXED Z=23 ROTATING Z=25
MODULE	1
FULL CYCLE	25 ROTATIONS
FULL CYCLE TIME	1.5 min
ELECTRIC MOTOR	BB0015
ELECTRIC MOTOR VOLT	24V AC/DC
WEIGHT	7.5 KG



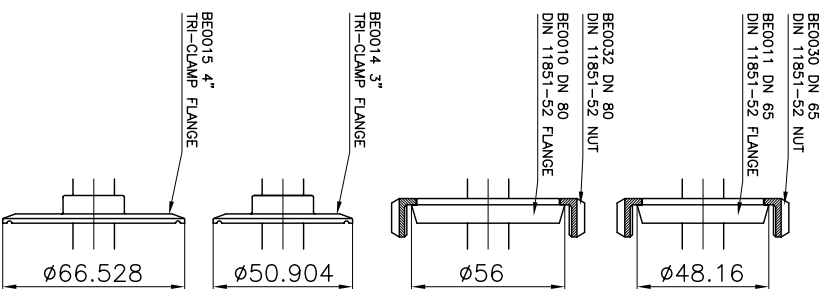
RUGOSITA' (UNI 4600)	MODIFICA	1	2	3	4	5
FOGLIO	XXXX					
GREZZO	DATA	XX.XX.XX				
TOLLERANZE GENERALI classe m UNI-EN 22768/1						
SGROSS. 3.2/	0+6	6-30	30-120	120-400	400-1000	1000-2000
∇ = 3.2/	±0.1	±0.2	±0.3	±0.5	±0.8	±1.2
NOTE:						
FINITURA 1.6/	DESCRIZIONE:	XB 031 E				
∇∇ = 1.6/	APPLICATION DRAWING					
RETTIFICA 0.8/						
∇∇∇ = 0.8/						
	CODICE:	XB 031 E				
	SCALA	1:3				
		A3				
		O				
	DISIGN.: GR ICONTR.: DM					
	DATA: 06.07.09					
	MOD.					





TECHNICAL DATA

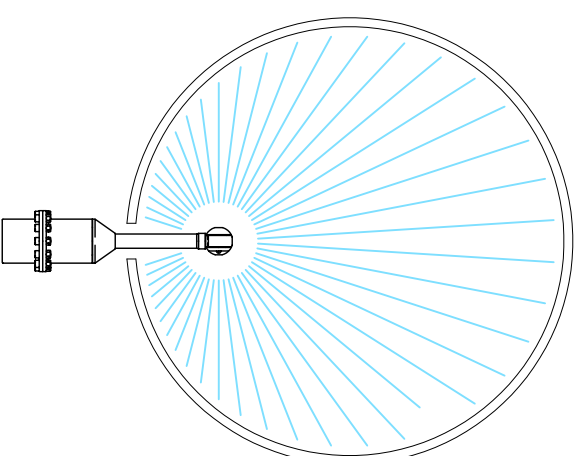
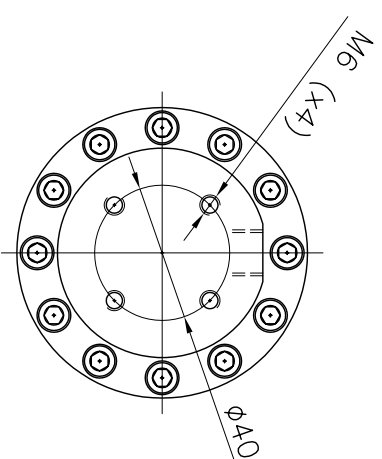
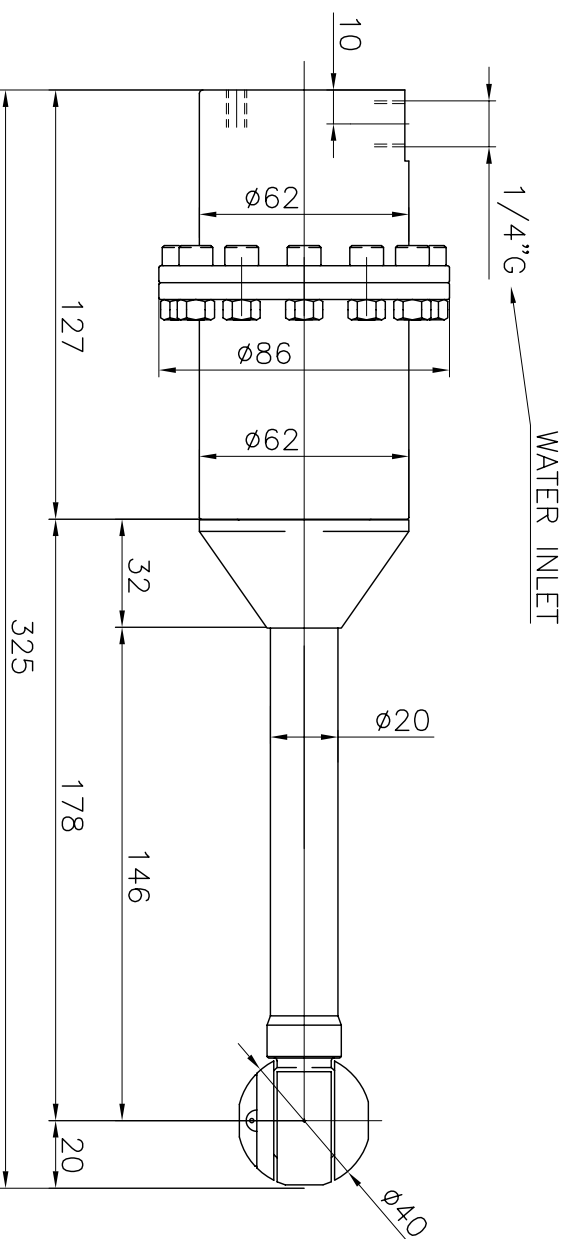
O.RING	NBR - EPDM - VITON
SLIPPER	PTFE+CARBON FIBRE
FILTER	700 MICRON
NOZZLES POSITIONS	2 - 4
NOZZLES TYPE	SPECIAL XB 030
MAX OPERATING FLOW	30 L/min
MAX OPERATING PRESSURE	200 bar
MAX OPERATING TEMPERATURE	90 °C
MATERIAL	INOX AISI 304
CONICAL GEARS	FIXED Z=23 ROTATING Z=25
MODULE	1
COMPLETE CYCLE	25 ROTATIONS
COMPLETE CYCLE TIME	1.1 MIN.
ROTATION SPEED	24 RPM
WEIGHT	7.5 KG



RUOSITA' (UNI 4800)	MODIFICA	1	2	3	4	5
GREZZO	DATA	XXXX				
TOLLERANZE GENERALI disasse m. UNI-EN 22768/1		XX.XXX.XX				
SGRASSI: ±0.1	±0.1	±0.2	±0.3	±0.3	±0.8	±1.2
NOTE:						
FINITURA	DESCRIZIONE: APPLICATION DRAWING					
RETTIFICA	XB 031 AAH					
COODICE:	XB 031 AAH					




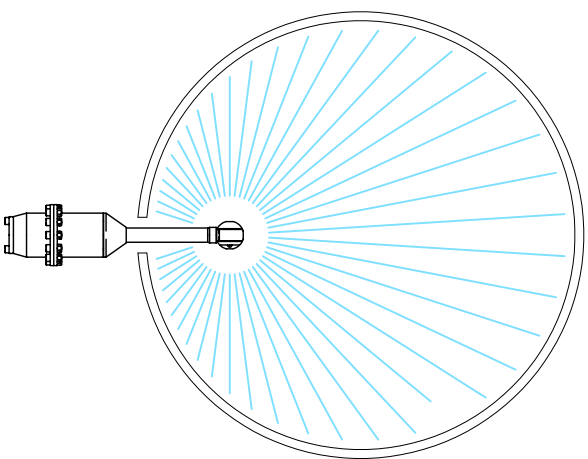
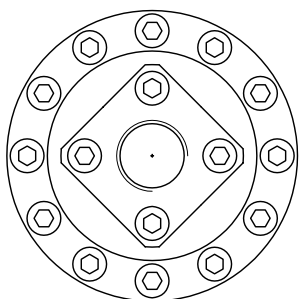
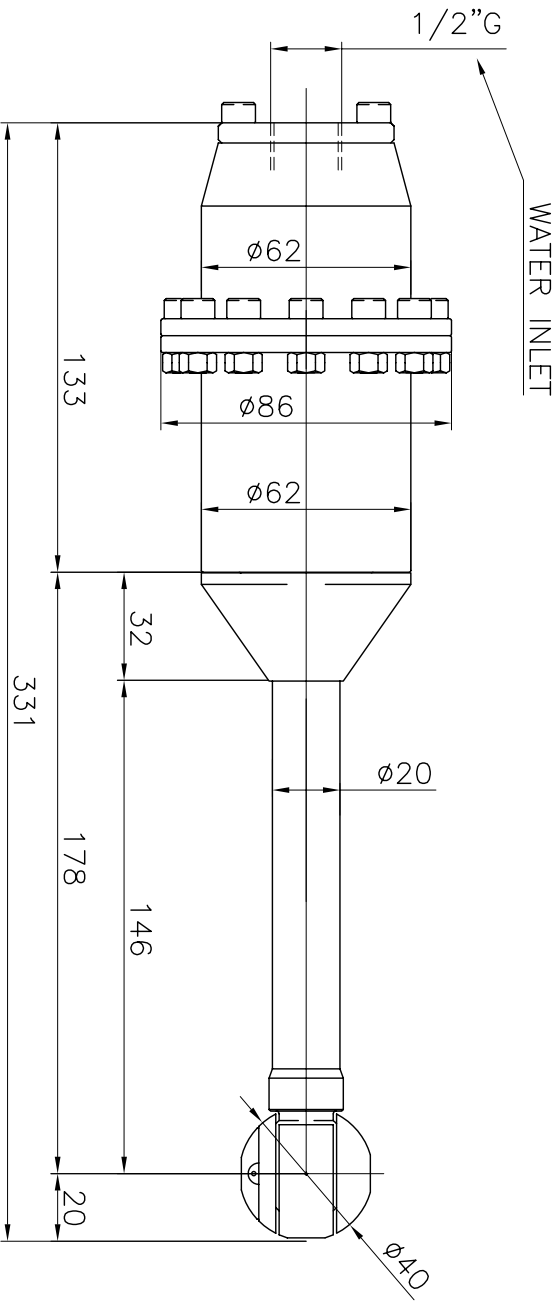
DESIGN: CR1	CONTR: DM
DATA: 18.05.09	MOD:
SCALE: 1:3	A4
	O



TECHNICAL DATA


O.RING	EPDM
SLIPPER	PTFE+CARBON FIBRE
FILTER	NONE
NOZZLES POSITIONS	2 OR 4
NOZZLES TYPE	SPECIAL NOZZLE XB 030
MAX OPERATING FLOW	30 L/min - 8 USG/min
MAX OPERATING PRESSURE	150 bar - 2100 psi
MAX OPERATING TEMPERATURE	90 °C - 194°F
MATERIAL	INOX AISI 316
LUBRICANTS	NONE
CONICAL GEARS	FIXED Z=23 ROTATING Z=25
MODULE	1
COMPLETE CYCLE	25 ROTATIONS
COMPLETE CYCLE TIME	1.1 MIN.
ROTATION SPEED	24 RPM
WEIGHT	4.6 KG - 10 LBS

RUGOSITA' (UNI 4600)	MODIFICA	1	2	3	4	5
GREZZO	FOGLIO	XXXX				
SGROSS. 3.2/	DATA	XX.XX.XX				
FINITURA 1.6/	TOLLERANZE GENERALI classe m UNI-EN 22768/1					
RETTIFICA 0.8/	0 ± 0.1 6 ± 0.30 30 ± 1.20 120 ± 4.00 400 ± 10.00 1000 ± 20.00					
	NOTE: ± 0.1 ± 0.2 ± 0.3 ± 0.5 ± 0.8 ± 1.2					
DESCRIZIONE: APPLICATION DRAWING						
XB 031AAE_BQ.01						
CODICE:		XB 031AAE_BQ.01		SCALE		
				1:2 A4 O		
 CLEANING HEADS MONTECCHIO E. (RE) - ITALY DISGN.: CR CONTR.: DM DATA: 27.08.08 MOD.						



TECHNICAL DATA

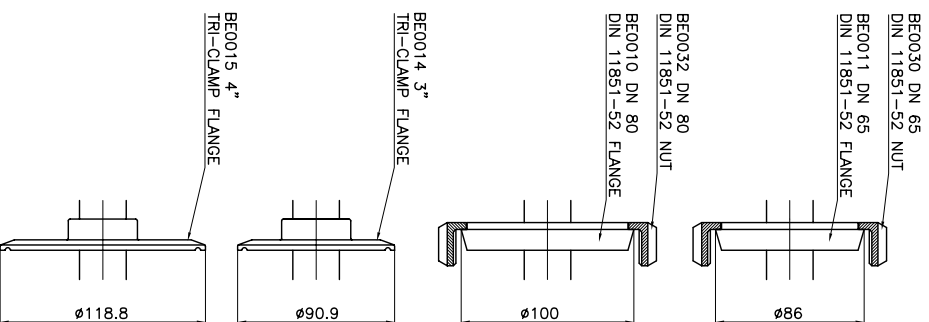
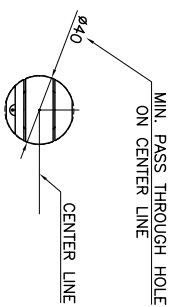
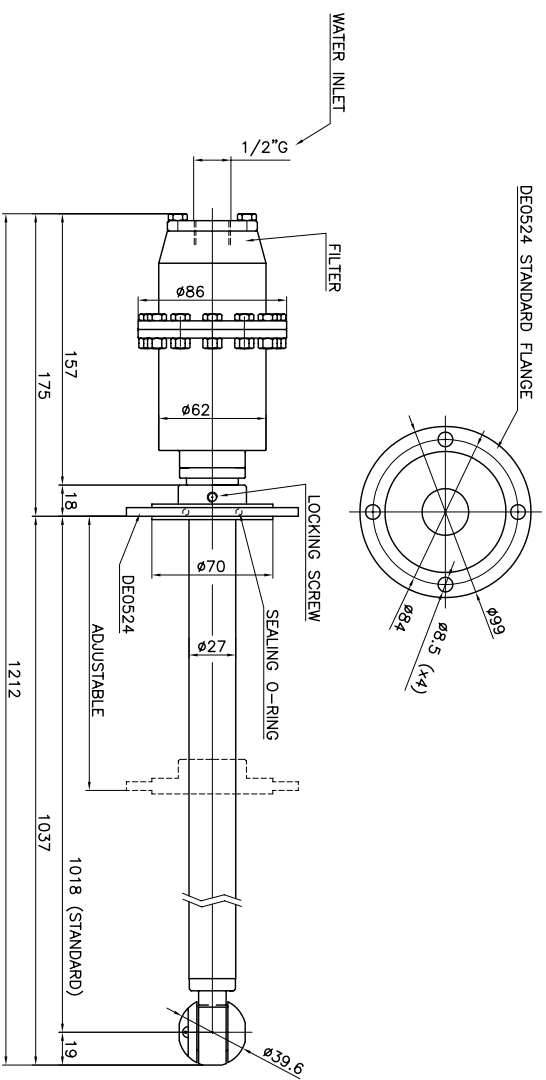
O.RING	EPDM
SLIPPER	PTFE+CARBON FIBRE
FILTER	NONE
NOZZLES POSITIONS	2 OR 4
NOZZLES TYPE	SPECIAL NOZZLE XB 030
MAX OPERATING FLOW	30 L/min – 8 USG/min
MAX OPERATING PRESSURE	150 bar – 2100 psi
MAX OPERATING TEMPERATURE	90 °C – 194°F
MATERIAL	INOX AISI 316
LUBRICANTS	NONE
CONICAL GEARS	FIXED Z=23 ROTATING Z=25
MODULE	1
COMPLETE CYCLE	25 ROTATIONS
COMPLETE CYCLE TIME	1.1 MIN.
ROTATION SPEED	24 RPM
WEIGHT	4.6 KG – 10 LBS

RUGOSITA' (UNI 4600)	MODIFICA	1	2	3	4	5
GREZZO	FOGLIO	XXXX				
SGROSS. 3.2/	DATA	XX.XX.XX				
FINITURA 1.6/	TOLLERANZE GENERALI classe m UNI-EN 22768/1					
RETTIFICA 0.8/	0±6 6÷30 30÷120 120÷400 400÷1000 1000÷2000					
	NOTE: ±0.1 ±0.2 ±0.3 ±0.5 ±0.8 ±1.2					
DESCRIZIONE: APPLICATION DRAWING XB 031AAD_BQ 01						
CODICE: XB 031AAD_BQ 01		SCALA 1:2		A4		O
 <p>CLEANING HEADS MONTECCHIO E. (RE) - ITALY DISIGN.: CR CONTR.: DM DATA: 19.12.08 MOD.</p>						

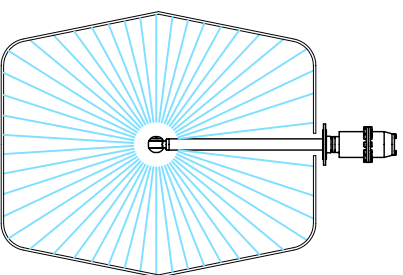
DIFFUSER CODE - HOLES	FLOW L/MIN
DF0401 - 6x1.50	10
DF0403 - 12x2.30	15
DF0403 - 12x2.30	20
DF0405 - 12x2.70	25
DF0406 - 12x3.00	30

TECHNICAL DATA

O-RING	NBR - EPDM - VITON
SLIPPER	PTFE+CARBON FIBRE
BUSHING	ANSI 316
FILTER	700 MICRON
NOZZLES POSITIONS	2 - 4
NOZZLES THREAD	SPECIAL XB 030
TESTING NOZZLES	0 x DIA. 00.0
OPERATING FLOW RANGE	10 - 30 L/min
TESTING FLOW	00 L/min
OPERATING PRESSURE RANGE	0 - 150 bar
TESTING PRESSURE	000 bar
CENTER LINE MIN PASS THROUGH HOLE	40 mm
MANUAL MIN PASS THROUGH HOLE	40 mm
PIPE LENGHT	1018 mm (STANDARD)
MAX OPERATING TEMPERATURE	90 °C
MATERIAL	INOX AISI 316
CONICAL GEARS	FIXED Z=23 ROTATING Z=25
MODULE	1
ROTATION SPEED RANGE	15 TO 25 RPM
TESTING DIFFUSER CODE	DF0000 (SEE CHART)
FULL CYCLE	25 ROTATIONS
FULL CYCLE TIME	1.2 min AT 20 RPM
WEIGHT	3.2 KG

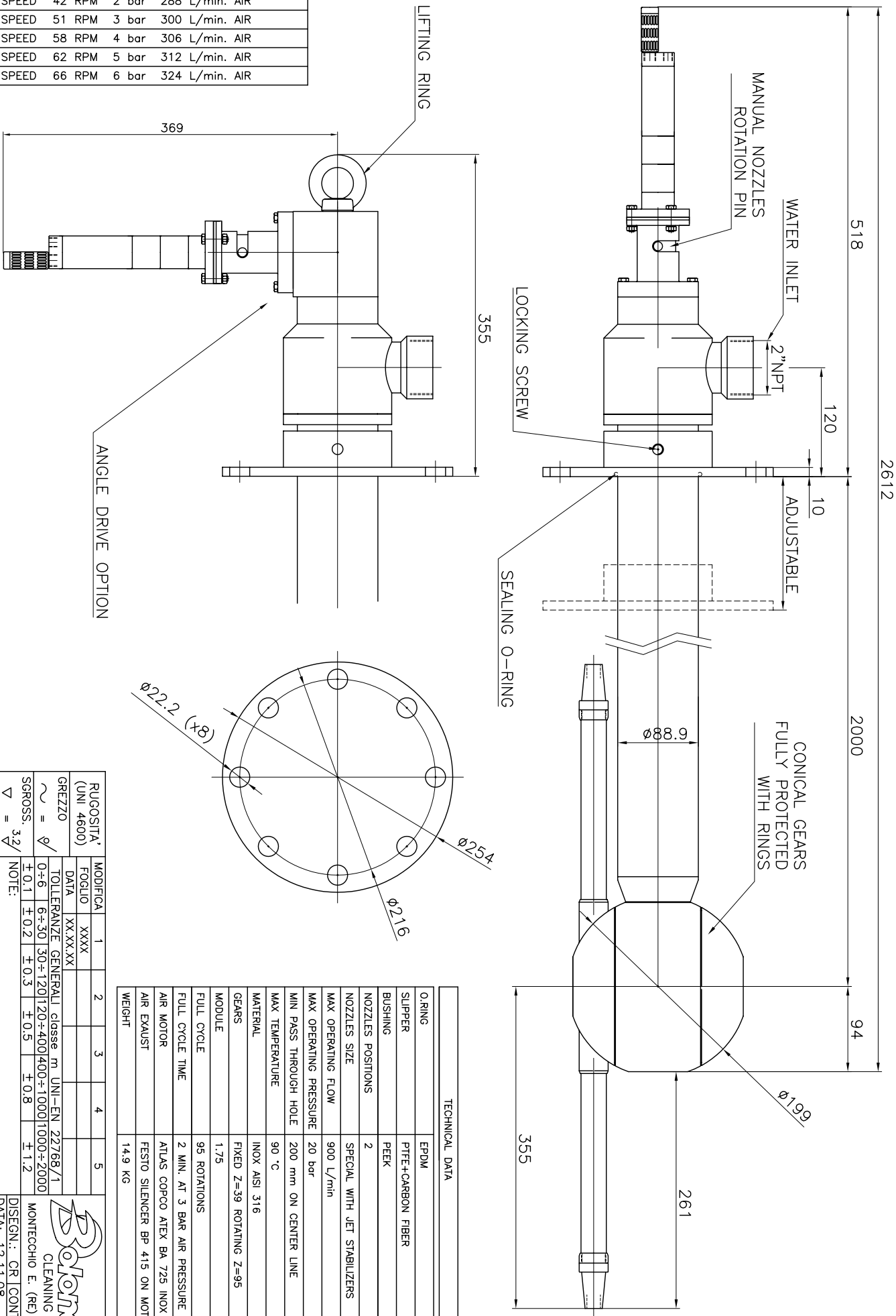


RUGOSITA' (UNI 4600)	MODIFICA	1	2	3	4	5
FOGLIO	XXXX					
GREZZO	DATA	XX.XX.XX				
TOLLERANZE GENERALI classe m UNI-EN 22768/1						
SGROSS. ±0.1	0-+6	6-+30	30-+120	120-+400	400-+1000	1000-+2000
±0.2	±0.3	±0.5	±0.8	±1.2		
NOTE:						
FINITURA 1,6/	DESCRIZIONE:	XB 031 A				
RETTIFICA 0,8/	APPLICATION DRAWING					
▼▼ = 1,6/						
▼▼▼ = 0,8/						
	CODICE:	XB 031 A				
	SCALA	1:3				
		A3				
		O				
	DISIGN.: CR	CONTR.: DM				
	DATA: 06.07.09	MOD.				
		MONTECOCHIO E. (RE) - ITALY				
		CLEANING HEADS				
		BOROMATI				



AIR PRESSURE AND CONSUMPTION

ROTATION SPEED	29 RPM	1 bar	264 L/min. AIR
ROTATION SPEED	42 RPM	2 bar	288 L/min. AIR
ROTATION SPEED	51 RPM	3 bar	300 L/min. AIR
ROTATION SPEED	58 RPM	4 bar	306 L/min. AIR
ROTATION SPEED	62 RPM	5 bar	312 L/min. AIR
ROTATION SPEED	66 RPM	6 bar	324 L/min. AIR



TECHNICAL DATA

O-RING	EPDM
SLIPPER	PTFE+CARBON FIBER
BUSHING	PEEK
NOZZLES POSITIONS	2
NOZZLES SIZE	SPECIAL WITH JET STABILIZERS
MAX OPERATING FLOW	900 L/min
MAX OPERATING PRESSURE	20 bar
MIN PASS THROUGH HOLE	200 mm ON CENTER LINE
MAX TEMPERATURE	90 °C
MATERIAL	INOX ASI 316
GEARS	FIXED Z=39 ROTATING Z=95
MODULE	1,75
FULL CYCLE	95 ROTATIONS
FULL CYCLE TIME	2 MIN. AT 3 BAR AIR PRESSURE
AIR MOTOR	ATLAS COPCO ATEX BA 725 INOX
AIR EXHAUST	FESTO SILENCER BP 415 ON MOTOR
WEIGHT	14.9 KG

RUGOSITA' (UNI 4600)	MODIFICA	1	2	3	4	5
GREZZO	FOGLIO	XXXX				
~ = ϕ	DATA	XX.XX.XX				
SGROSS. $3.2/$	TOLLERANZE GENERALI	glosse m UNI-EN 22769/1				
$\nabla = 3.2/$	0-6	6-50	50-120	120-400	400-1000	1000-2000
	± 0.1	± 0.2	± 0.3	± 0.5	± 0.8	± 1.2
FINITURA $1.6/$	NOTE:					
$\nabla \nabla = 1.6/$	MATERIALE:	INOX				
RETTIFICA $0.8/$	DESCRIZIONE:	XB 900P S1				
$\nabla \nabla \nabla = 0.8/$	INSTALLATION	DRAWING				
	CODICE:	XB 900P				
	SCALA	1:4				
	MOD.	A4				
		O				



CLEANING HEADS

MONTECOHIO E. (RE) - ITALY

DISIGN.: CR | CONTR.: DM

DATA: 12.11.08

MOD.

SERIE XC

XC SERIES

TESTINE AUTOROTANTI O MOTORIZZATE PER LAVAGGIO VOLUMETRICO
SELFSPINNING OR MOTOR DRIVEN HEADS FOR VOLUMETRIC CLEANING

TESTINE DI LAVAGGIO VOLUMETRICHE

Disponibili con motore ad acqua, elettrico o pneumatico, per foro accesso minimo di 76mm

VOLUMETRIC CLEANING HEADS

Available with water motor, electric or pneumatic, for min pass through hole of 76mm

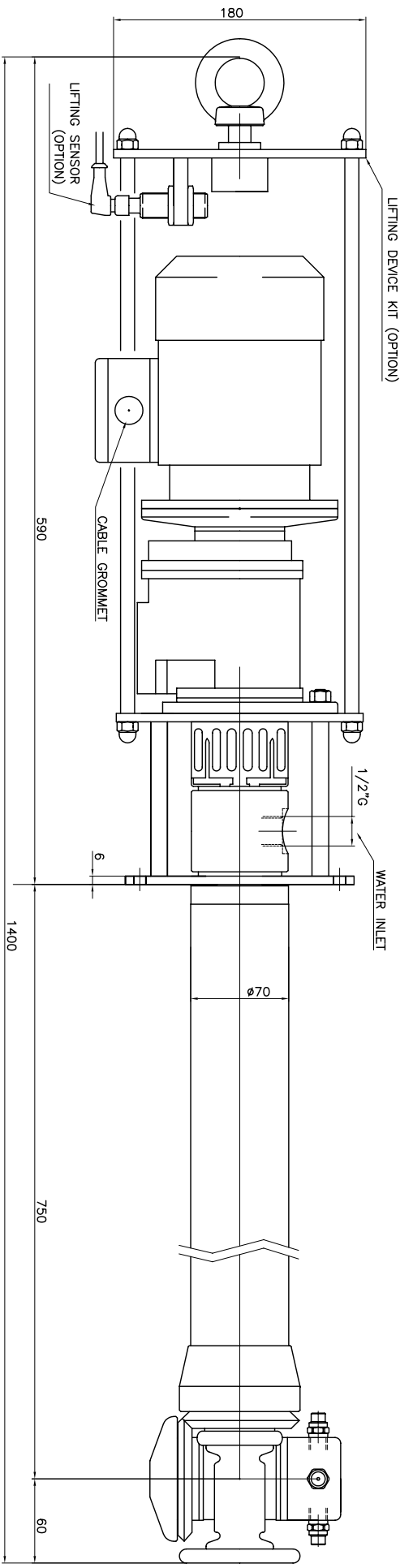


Disponibili in diverse lunghezze fino ad un max. di 6mt; disponibili anche versioni speciali per lavaggio settoriale

Available in different length till a max. of 6mt; available also special version for sector cleaning

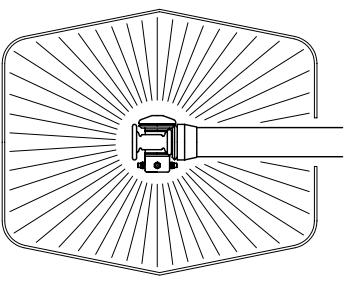
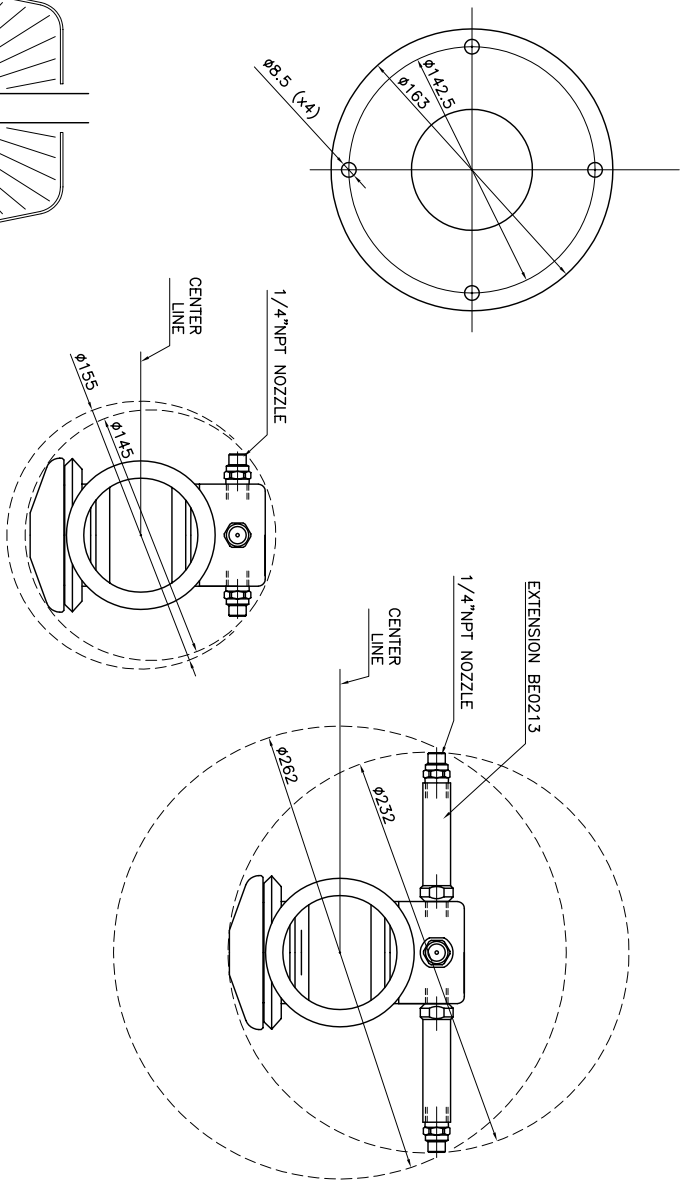


rOtojet



TECHNICAL DATA

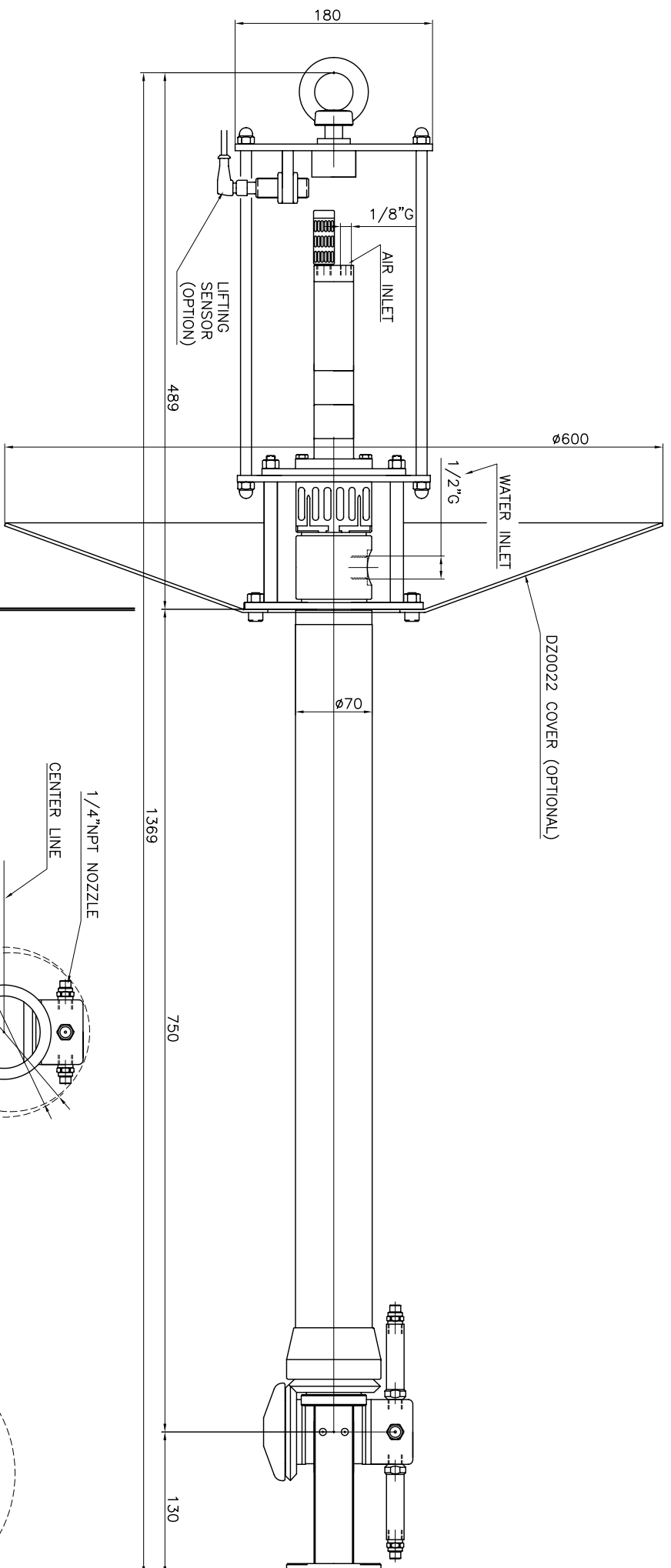
O-RING	NBR - EPDM - VITON
SLIPPER	PTFE+CARBON FIBRE
BUSHING	ASI 316
FILTER	NONE
NOZZLES POSITIONS	2 - 4
NOZZLES THREAD	1/4"NPT
TESTING NOZZLES	0 x 0000
OPERATING FLOW RANGE	0 - 200 L/min
TESTING FLOW	000 L/min
OPERATING PRESSURE RANGE	0 - 200 bar
TESTING PRESSURE	000 bar
CENTER LINE MIN PASS THROUGH HOLE	155 mm W/O EXTENSIONS
MANUAL MIN PASS THROUGH HOLE	145 mm W/O EXTENSIONS
PIPE LENGTH	750 mm (STANDARD)
MAX OPERATING TEMPERATURE	90 °C
MATERIAL	INOX AISI 316
CONICAL GEARS	FIXED Z=41 ROTATING Z=43
MODULE	2
FULL CYCLE	43 ROTATIONS
GEARBOX	W/MOTOR
ELECTRIC MOTOR	BB0743
ELECTRIC MOTOR VOLTS	24V AC/DC
ELECTRIC MOTOR AMPS	0.30 A
ROTATION SPEED	17 RPM
FULL CYCLE TIME	2.5 min
WEIGHT	14.2 KG



RUGOSITA' (UNI 4600)	MODIFICA	1	2	3	4	5
FOGLIO	XXXX					
GREZZO	DATA	XX.XX.XX				
TOLLERANZE GENERALI classe m	UNI-EN	22768/1				
0+6	6-30	30-120	120-400	400-1000	1000-2000	
±0.1	±0.2	±0.3	±0.5	±0.8	±1.2	
NOTE:						
FINITURA 1/g						
RETTIFICA 0/g						
DESCRIZIONE:	XC 200 E APPLICATION DRAWING					
CODICE:	XC 200 E					
SCALA	1:3					
DISEGNI:	A3					
MOD.	O					

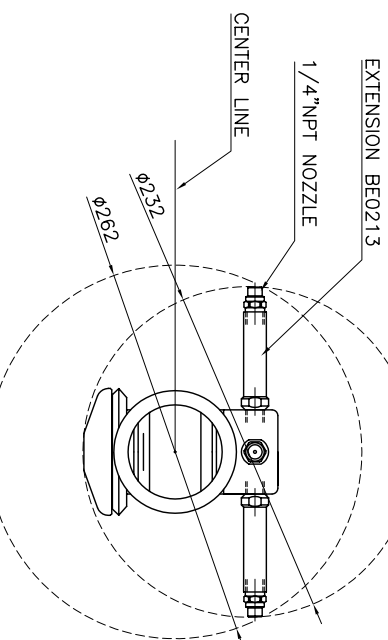
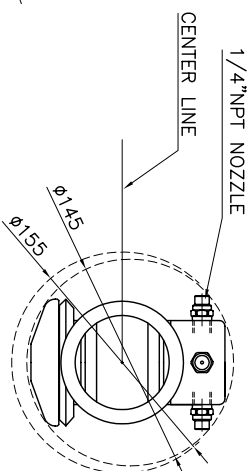
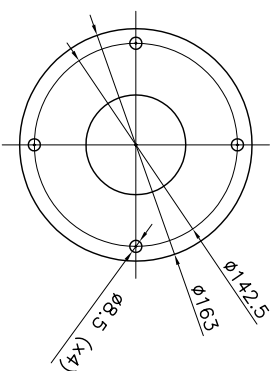


MONTICOCHIO E. (RE) - ITALY
DATA: 06.10.08
MOD.



TECHNICAL DATA

O-RING	EPDM
SLIPPER	PTFE+CARBON FIBER
BUSHING	NICKEL BRONZE 25%
NOZZLES POSITIONS	2 OR 4
NOZZLES SIZE	1/4"NPT
MAX OPERATING FLOW	200 L/min
MAX OPERATING PRESSURE	200 bar
MAX TEMPERATURE	90 °C
MATERIAL	INOX AISI 316
GEARS	FIXED Z=41 ROTATING Z=43
MODULE	2
FULL CYCLE	43 ROTATIONS
FULL CYCLE TIME	1.00 MIN. AT 3 BAR AIR PRESSURE
AIR MOTOR	ATLAS COPCO ATEX BA 725 INOX
AIR EXHAUST	FESTO SILENCER BP 415 ON MOTOR
WEIGHT	X X KG



AIR PRESSURE AND CONSUMPTION

ROTATION SPEED	29 RPM	1 bar	284 L/min.	AIR
ROTATION SPEED	42 RPM	2 bar	288 L/min.	AIR
ROTATION SPEED	51 RPM	3 bar	300 L/min.	AIR
ROTATION SPEED	58 RPM	4 bar	306 L/min.	AIR
ROTATION SPEED	62 RPM	5 bar	312 L/min.	AIR
ROTATION SPEED	66 RPM	6 bar	324 L/min.	AIR

RUGOSITA' (UNI 4600)	MODIFICA	1	2	3	4	5
FOGLIO	xxxx					
DATA	xxxx-xx					
TOLLERANZE GENERALI classe m UNI-EN 22768/1						
±0.6 6±30 30±120 120±400 400±1000 1000±2000						
SRORSS.	±0.1 ±0.2 ±0.3 ±0.5 ±0.8 ±1.2					
▽ = 3/2	NOTE:					
FINITURA 1/g	MATERIALE:					
▽▽ = 1/g						
RETTIFICA 0/g						
▽▽▽ = 3/4						
DESCRIZIONE: APPLICATION DRAWING						
XC 200 P cm						
CODICE: XC200P cm						



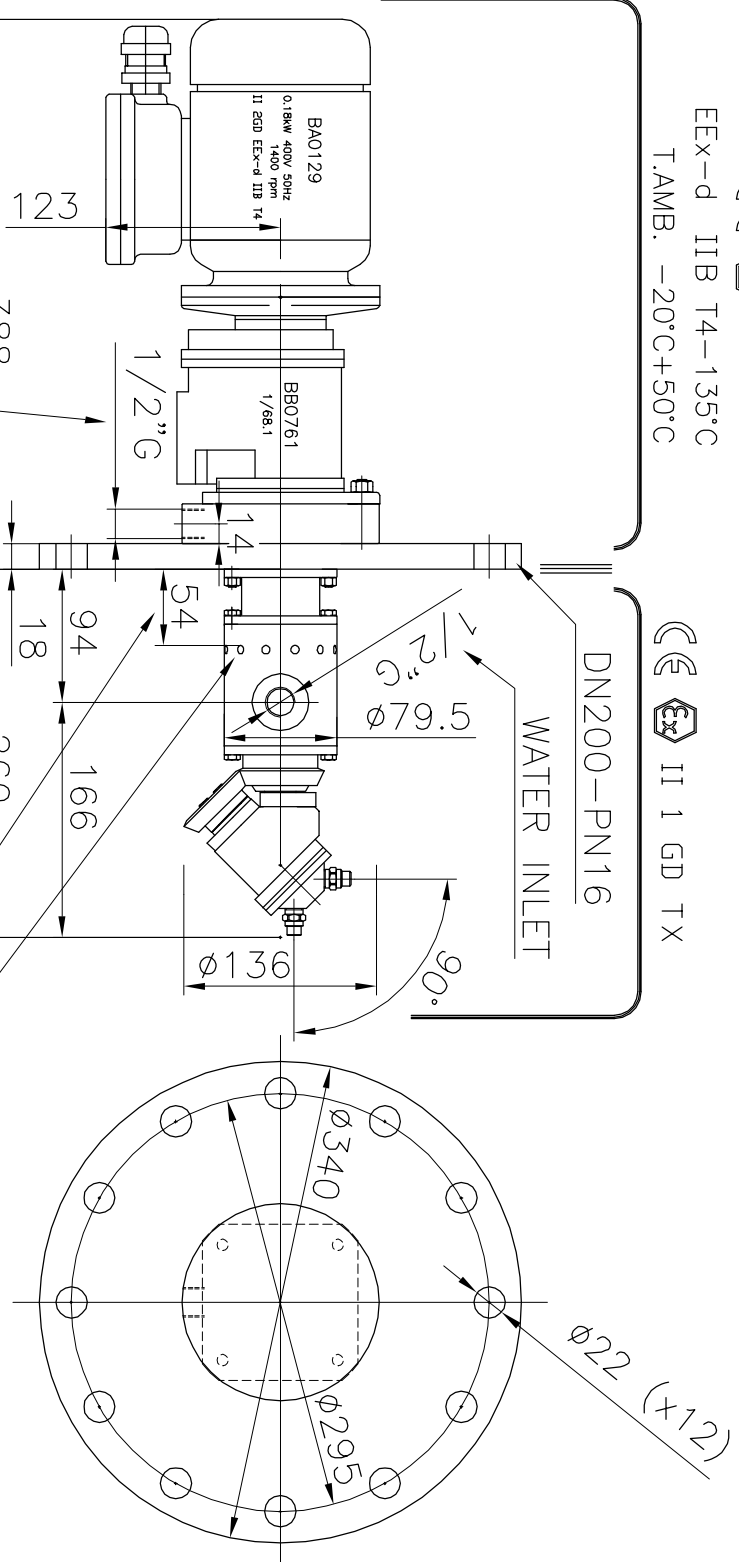
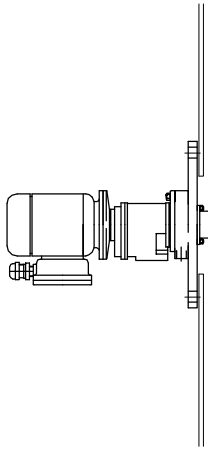
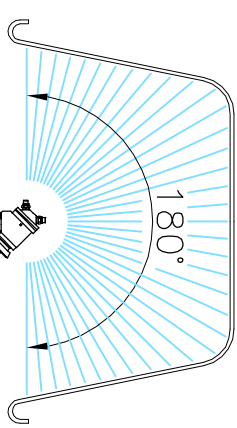
MONTECCHIO E. (RE) - ITALY
 DATA: 27.11.08
 DISEGN.: CR | CONTR.: DM
 MOD.

SCALE: 1:3 A3 0

II 2 GD

EE_x-d IIB T4-135°C
T.AMB. -20°C+50°C

II 1 GD TX

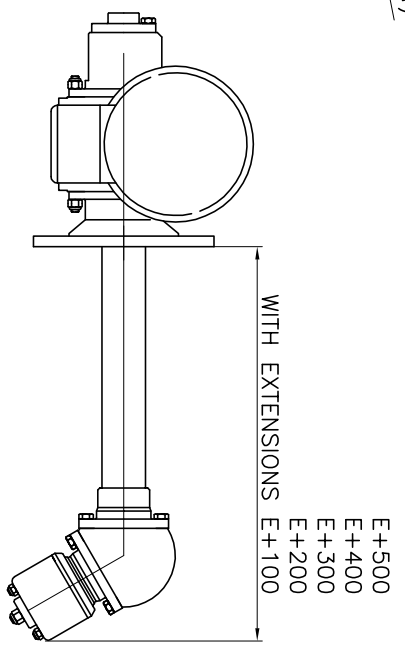
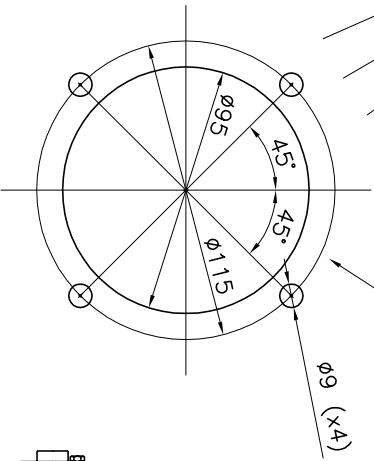
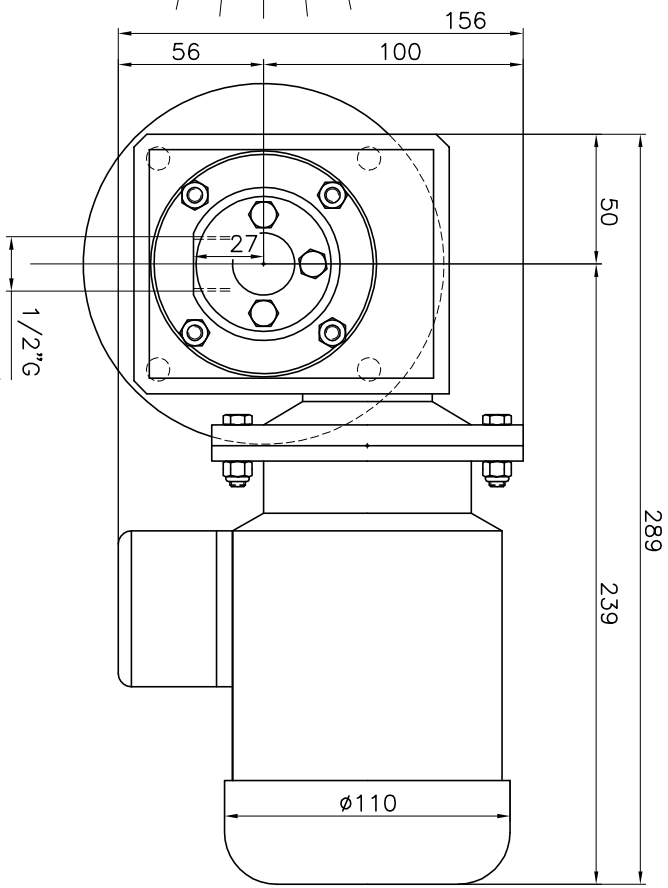
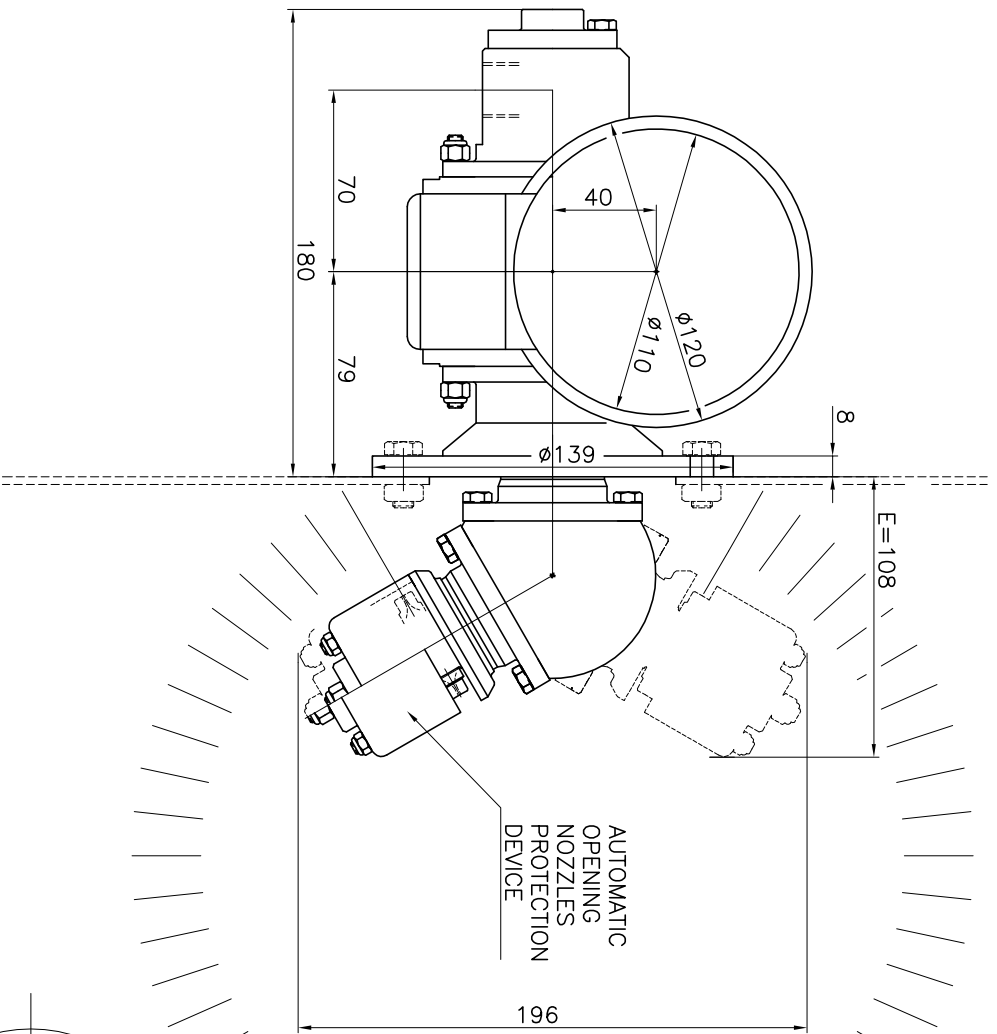


file: XC 150_180°FR-EEN cm1

TECHNICAL DATA

O.RING	EPDM
SLIPPER	PTFE+CARBON FIBER
BUSHING	NICKEL BRONZE 25%
NOZZLES POSITIONS	2 OR 4
NOZZLES SIZE	1/4"NPT
OPERATING FLOW	200 L/min
OPERATING PRESSURE	150 bar
MAX TEMPERATURE	90 °C
MATERIAL	INOX AISI 304
GEARS	FIXED Z=29 ROTATING Z=27
MODULE	2
FULL CYCLE	29 ROTATIONS
FULL CYCLE TIME	1.4 MIN.
ELECTRIC MOTOR EE _x	400V 50HZ
ROTATION SPEED	21 RPM
WEIGHT	XX KG

RUGOSITA' (UNI 4600)	MODIFICA	1	2	3	4	5	 CLEANING HEADS MONTECCHIO E. (RE) - ITALY DISEGN.: CR CONTR.: DM DATA: 21.10.09 MOD.
	FOGLIO						
GREZZO	DATA						TOLLERANZE GENERALI classe m UNI-EN 22768/1 0 ÷ 6 6 ÷ 30 30 ÷ 120 120 ÷ 400 400 ÷ 1000 1000 ÷ 2000 ± 0.1 ± 0.2 ± 0.3 ± 0.5 ± 0.8 ± 1.2 NOTE:
SGROSS. 3.2/	NOTE:						
FINITURA 1.6/	MATERIALE:						
RETTIFICA 0.8/	DESCRIZIONE: APPLICATION DRAWING						
	XC 150_180°FR-EER						
	CODICE: XC 150_180°FR-EER						

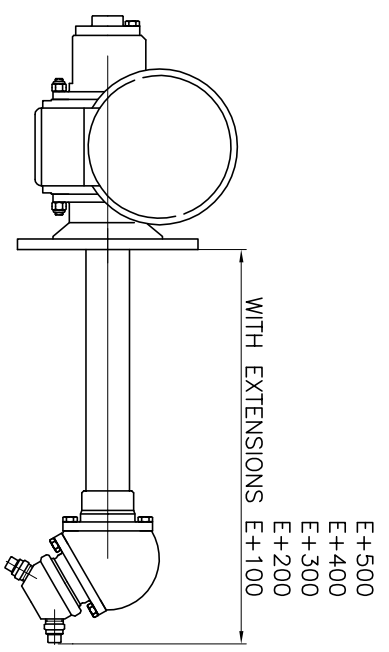
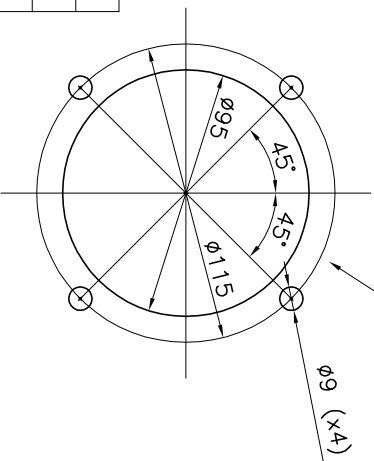
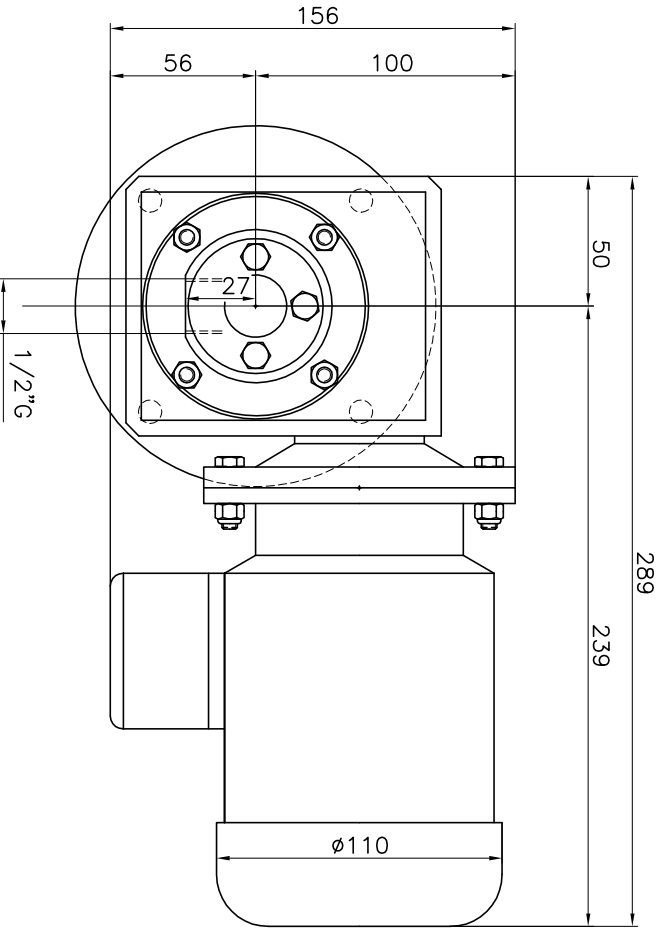
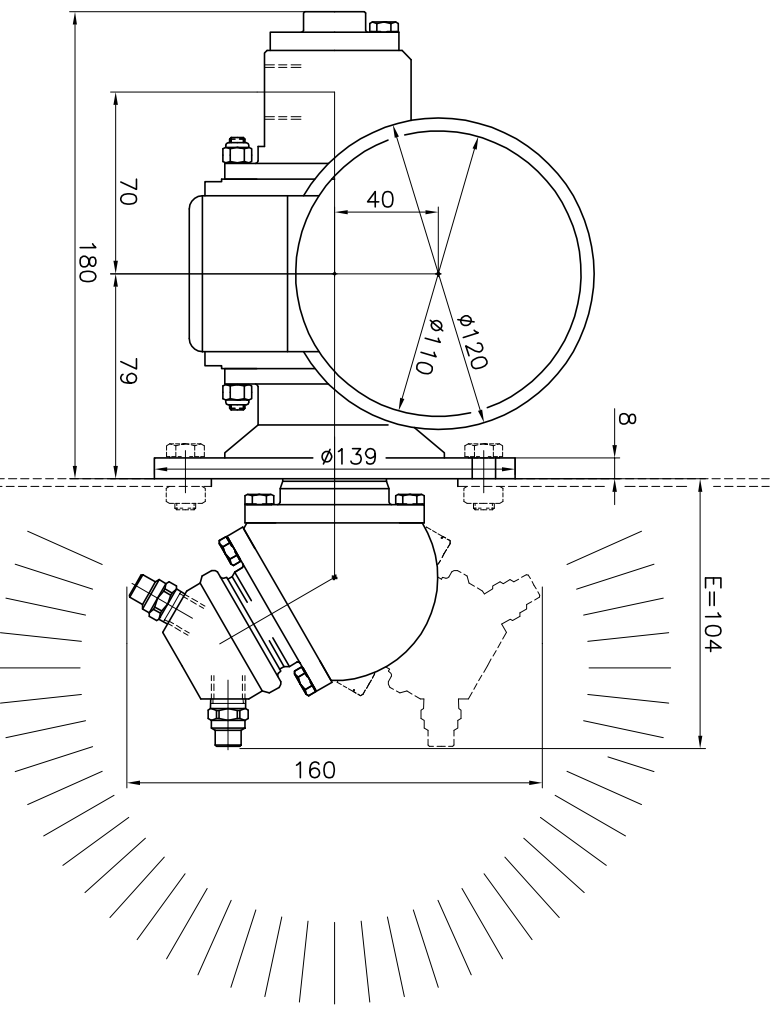


MAX FLOW	60 L/MIN.
MAX PRESSURE	200 BAR
NOZZLES POSITIONS	2 - 4
NOZZLE THREAD	1/8" G. SPECIAL
ELECTRIC MOTOR	56B5-4P-1400RPM-0.09KW-400V-3PH
GEARBOX	CM040U-1:80 RATIO
ROTATION SPEED	18 RPM
WASHING FULL CYCLE TIME	2 MIN.
HEAD MATERIAL	INOX
WEIGHT	12.5 KG.

RUGOSITA' (UNI 4600)	MODIFICA	1	2	3	4	5
GREZZO	FOGLIO	XXXX				
~ = √	DATA	XX.XX.XX				
SGROSS. ±0.1	TOLLERANZE GENERALI	chiosse m	UNI-EN 22768/1			
±0.2	±0.3	±0.5	±0.8	±1.2		
±0.3	±0.5	±0.8	±1.2			
NOTE:						
FINITURA	MATERIALE:					
RETIFICA	DESCRIZIONE: CONCRETE MIXER WASHING HEAD					
∇∇∇ = 0.9/∇	AUTOMATIC PROTECTION VERSION					
	CODICE:					
	XC 070E PT					



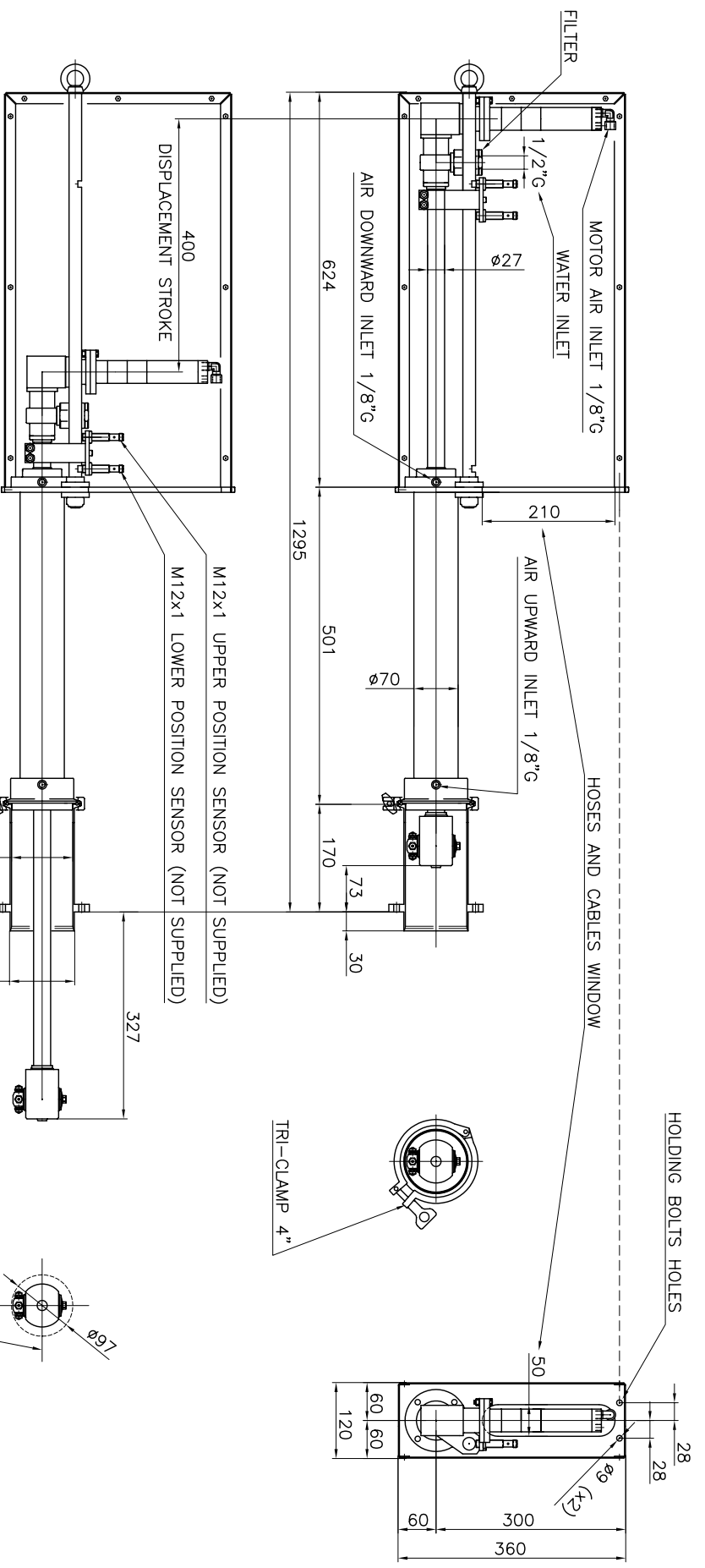
DATA: 06.04.11
MOD. 1:2 A3 0



MAX FLOW	60 L/MIN.
MAX PRESSURE	200 BAR
NOZZLES POSITIONS	4
NOZZLE THREAD	1/4" G
ELECTRIC MOTOR	56B5-4P-1400RPM-0.09KW-400V-3PH
GEARBOX	CM040U-1:80 RATIO
ROTATION SPEED	18 RPM
WASHING FULL CYCLE TIME	2 MIN.
HEAD MATERIAL	INOX+BRASS
WEIGHT	12.5 KG.

RUGOSITA' (UNI 4600)	MODIFICA	1	2	3	4	5
GREZZO	FOGLIO	XXXX				
~ = √	DATA	XX.XX.XX				
SGROSS. ±0.1	TOLLERANZE GENERALI classe m	UNI-EN 22768/1				
∇ = √	0-6 ±0.2	6-30 ±0.3	30-120 ±0.5	120-400 ±0.8	400-1000 ±1.2	1000-2000 ±1.2
FINITURA 1.6/	NOTE:					
RETIFICA 0.8/	MATERIALE:					
∇∇∇ = √	DESCRIZIONE: CONCRETE MIXER WASHING HEAD					
	STETTER VERSION					
	CODICE: XC 070E CM3					





TECHNICAL DATA

O.RING	EPDM
SLIPPER	PTFE+CARBON FIBER
BUSHING	AISI 316
FILTER	700 MICRON
NOZZLES POSITIONS	4
NOZZLES SIZE	1/8"NPT
OPERATING FLOW	60 L/min
OPERATING PRESSURE	150 bar
MAX TEMPERATURE	90 °C
MATERIAL	INOX AISI 316 + BRASS + GALVANIZED STEEL
GEARS	FIXED Z=29 ROTATING Z=31
MODULE	1
FULL CYCLE	31 ROTATIONS
FULL CYCLE TIME	1.00 MIN. AT 3 BAR AIR PRESSURE
AIR MOTOR	ATLAS COPCO BA 720 INOX
WEIGHT	6.5 KG

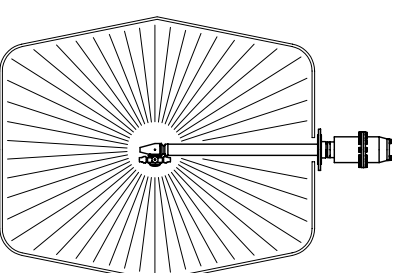
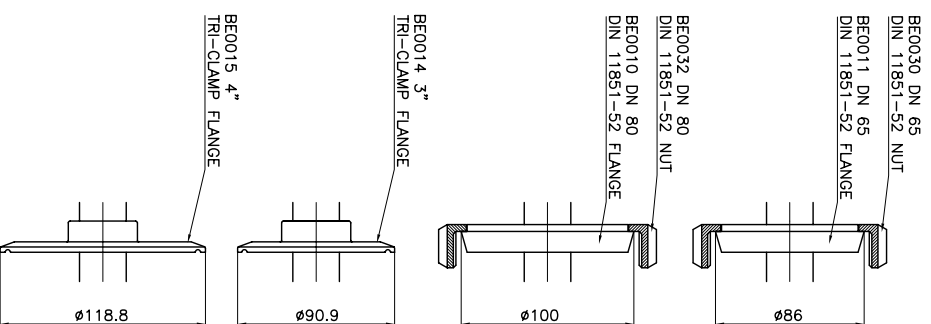
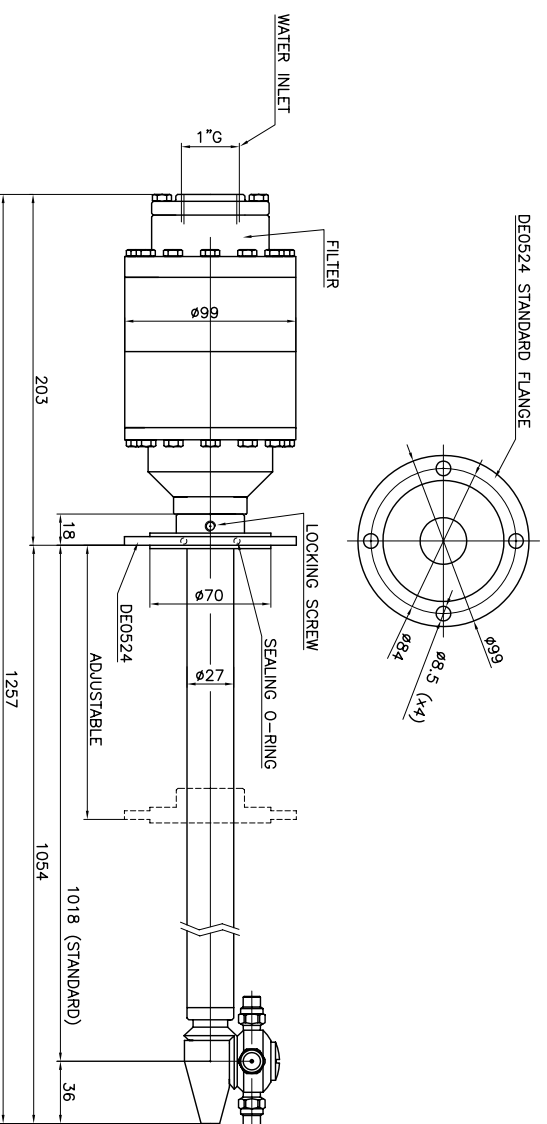
AIR PRESSURE AND CONSUMPTION

ROTATION SPEED	29 RPM	1 bar	264 L/min.	AIR
ROTATION SPEED	42 RPM	2 bar	288 L/min.	AIR
ROTATION SPEED	51 RPM	3 bar	300 L/min.	AIR
ROTATION SPEED	58 RPM	4 bar	306 L/min.	AIR
ROTATION SPEED	62 RPM	5 bar	312 L/min.	AIR
ROTATION SPEED	66 RPM	6 bar	324 L/min.	AIR

RUGOSITA' (UNI 4600)	MODIFICA	1	2	3	4	5
GREZZO	FOGLIO	XXXX				
~ = √	DATA	XXXXXXXX				
SGROSS. = √	TOLLERANZE GENERALI	close m. UNI-EN 22768/1				
∇ = 3/2	±0.6	6±30	30±120	120±400	400±1000	1000±2000
∇∇ = √	NOTE:	±0.1	±0.2	±0.3	±0.5	±0.8
∇∇∇ = 0.8/	FINITURA	1.6/				
	DESCRIZIONE:	APPLICATION DRAWING				
		XC 065 PPD-90°BA cm				
		400 mm STROKE				
	CODICE:	XC 065 PPD-90°BA				
	SCALA	1:9 A4 O				
	DATA:	22.01.10 MOD.				
	DISEGN.: CR	CONTR.: DM				
		MONTECCHIO E. (RE) - ITALY				



TECHNICAL DATA	
O-RING	NBR - EPDM - VITON
SLIPPER	PTFE+CARBON FIBRE
BUSHING	ANSI 316
FILTER	700 MICRON
NOZZLES POSITIONS	2 - 4
NOZZLES THREAD	1/8"NPT
TESTING NOZZLES	0 x 0000
OPERATING FLOW RANGE	10 - 60 L/min
TESTING FLOW	00 L/min
OPERATING PRESSURE RANGE	0 - 200 bar
TESTING PRESSURE	000 bar
CENTER LINE MIN PASS THROUGH HOLE	95 mm
MANUAL MIN PASS THROUGH HOLE	76 mm
PIPE LENGHT	1018 mm (STANDARD)
MAX OPERATING TEMPERATURE	90 °C
MATERIAL	INOX AISI 316
CONICAL GEARS	FIXED Z=29 ROTATING Z=31
ROTATION SPEED RANGE	15 TO 25 RPM
FULL CYCLE	31 ROTATIONS
FULL CYCLE TIME	1.5 min AT 20 RPM



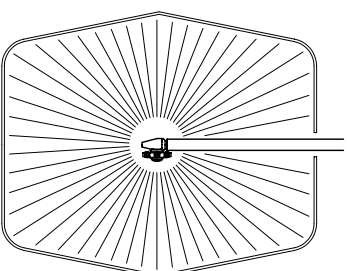
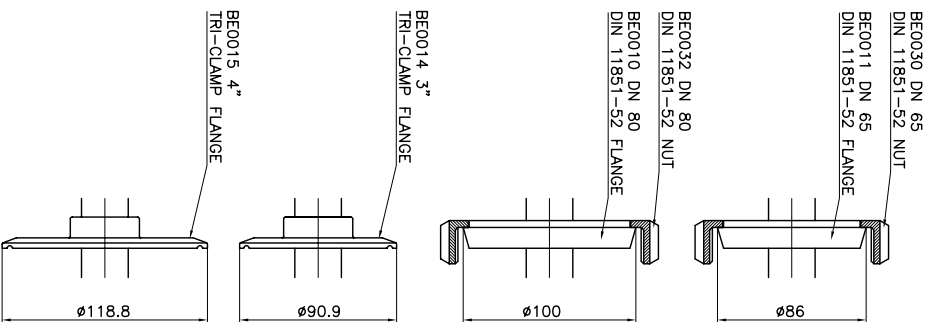
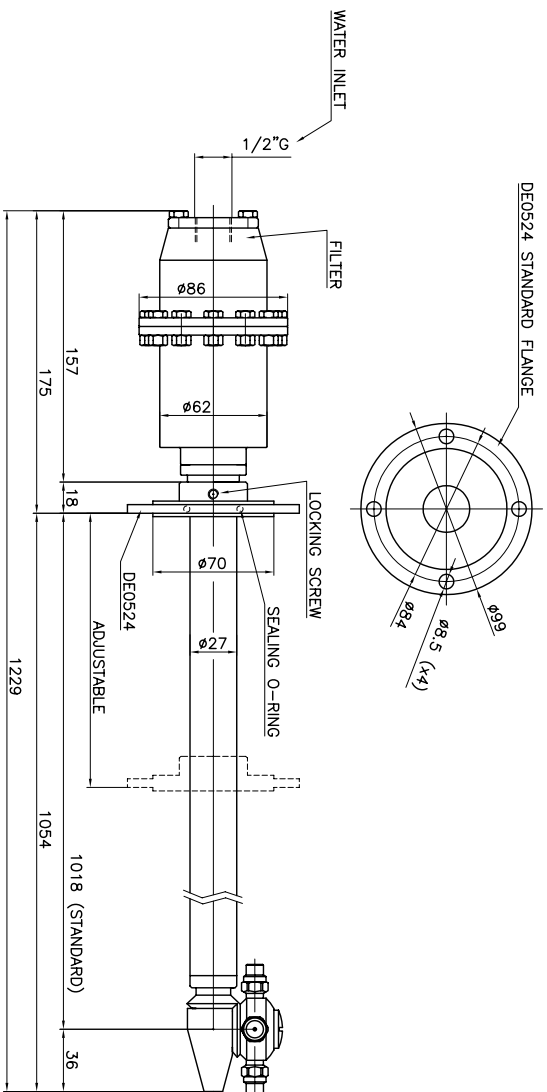
RUGOSITA' (UNI 4600)	MODIFICA	1	2	3	4	5
GREZZO	FOGLIO	XXXX				
~ = ∅	DATA	XX.XX.XX				
SGROSS. 3.2/∇ = 3.2/∇	TOLLERANZE GENERALI classe m	UNI-EN 22768/1				
FINITURA 1.6/∇∇ = 1.6/∇	0+6	6-30	30-120	120-400	400-1000	1000-2000
RETTIFICA 0.8/∇∇∇ = 0.8/∇	±0.1	±0.2	±0.3	±0.5	±0.8	±1.2
	NOTE:					
	DESCRIZIONE:	XC 061 AAH APPLICATION DRAWING				
	CODICE:	XC 061 AAH				
	DISIGN.: CR	CONTR.: DM				
	DATA:	02.10.08				
	SCALA	1:3				
		A3				
		O				
		MOD.				

Bonomati
CLEANING HEADS
MONTECCHIO E. (RE) - ITALY

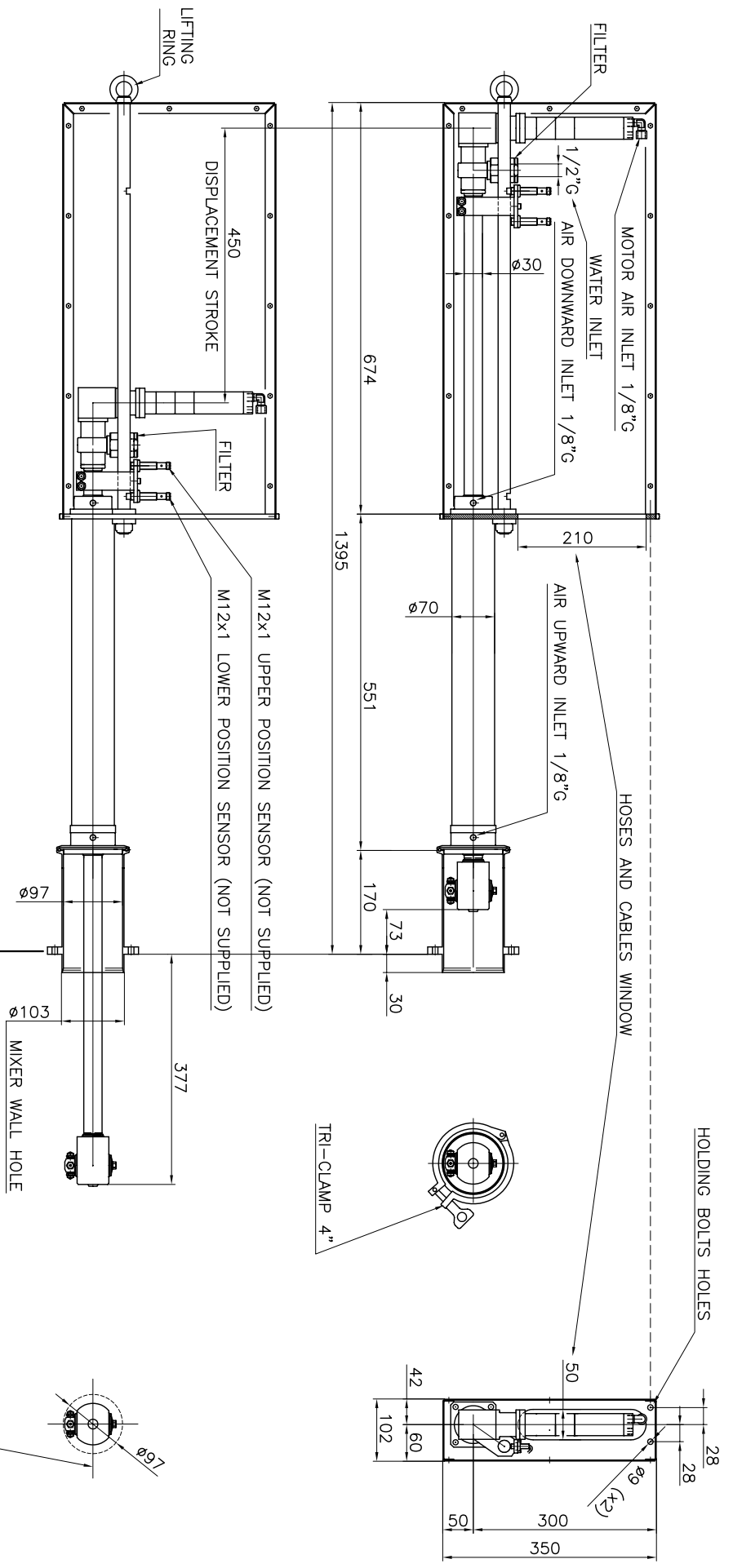
DIFFUSER CODE - HOLES	FLOW L/MIN
DF0401 - 6x1.50	10
DF0403 - 12x2.30	15
DF0403 - 12x2.30	20
DF0405 - 12x2.70	25
DF0406 - 12x3.00	30
DF0408 - 12x3.40	35
DF0419 - 18x3.20	40
DF0419 - 18x3.20	45
DF0420 - 18x3.40	50
DF0420 - 18x3.40	55
DF0420 - 18x3.40	60

TECHNICAL DATA

O-RING	NBR - EPDM - VITON
SLIPPER	PTFE+CARBON FIBRE
BUSHING	ASI 316
FILTER	700 MICRON
NOZZLES POSITIONS	2 - 4
NOZZLES THREAD	1/8"NPT
TESTING NOZZLES	0 x 0000
OPERATING FLOW RANGE	10 - 60 L/min
TESTING FLOW	00 L/min
OPERATING PRESSURE RANGE	0 - 150 bar
TESTING PRESSURE	000 bar
CENTER LINE MIN PASS THROUGH HOLE	95 mm
MANUAL MIN PASS THROUGH HOLE	76 mm
PIPE LENGHT	1018 mm (STANDARD)
MAX OPERATING TEMPERATURE	90 °C
MATERIAL	INOX AISI 316
CONICAL GEARS	FIXED Z=29 ROTATING Z=31
MODULE	1
ROTATION SPEED RANGE	15 TO 25 RPM
TESTING DIFFUSER CODE	DF0000 (SEE CHART)
FULL CYCLE	48 ROTATIONS
FULL CYCLE TIME	2.4 min AT 20 RPM
WEIGHT	3.2 KG



RUGOSITA' (UNI 4600)	MODIFICA	1	2	3	4	5
FOGLIO	XXXX					
GREZZO	DATA	XX.XX.XX				
TOLLERANZE GENERALI classe m	UNI-EN	22768/1				
SGROSS.	0-+6	6-+30	30-+120	120-+400	400-+1000	1000-+2000
∇ = 3.2/	±0.1	±0.2	±0.3	±0.5	±0.8	±1.2
NOTE:						
DESCRIZIONE:	XC 061 A APPLICATION DRAWING					
DISIGN.: CR	CONTR.: DM					
SCALA	1:3					
MOD.	A3					
CODICE:	XC 061 A					

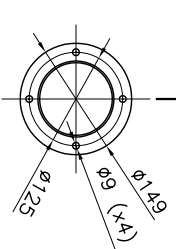


TECHNICAL DATA

O.RING	EPDM
SLIPPER	PTFE+CARBON FIBER
BUSHING	NICKEL BRONZE 25%
FILTER	700 MICRON
NOZZLES POSITIONS	4
NOZZLES SIZE	1/8" NPT
OPERATING FLOW	60 L/min
OPERATING PRESSURE	150 bar
MAX TEMPERATURE	90 °C
MATERIAL	INOX AISI 316
GEARS	FIXED Z=29 ROTATING Z=31
MODULE	1
FULL CYCLE	31 ROTATIONS
FULL CYCLE TIME	1.00 MIN. AT 3 BAR AIR PRESSURE
AIR MOTOR	ATLAS COPCO BA 720 INOX
AIR EXHAUST	FESTO SILENCER BP 415 ON MOTOR
WEIGHT	6.5 KG

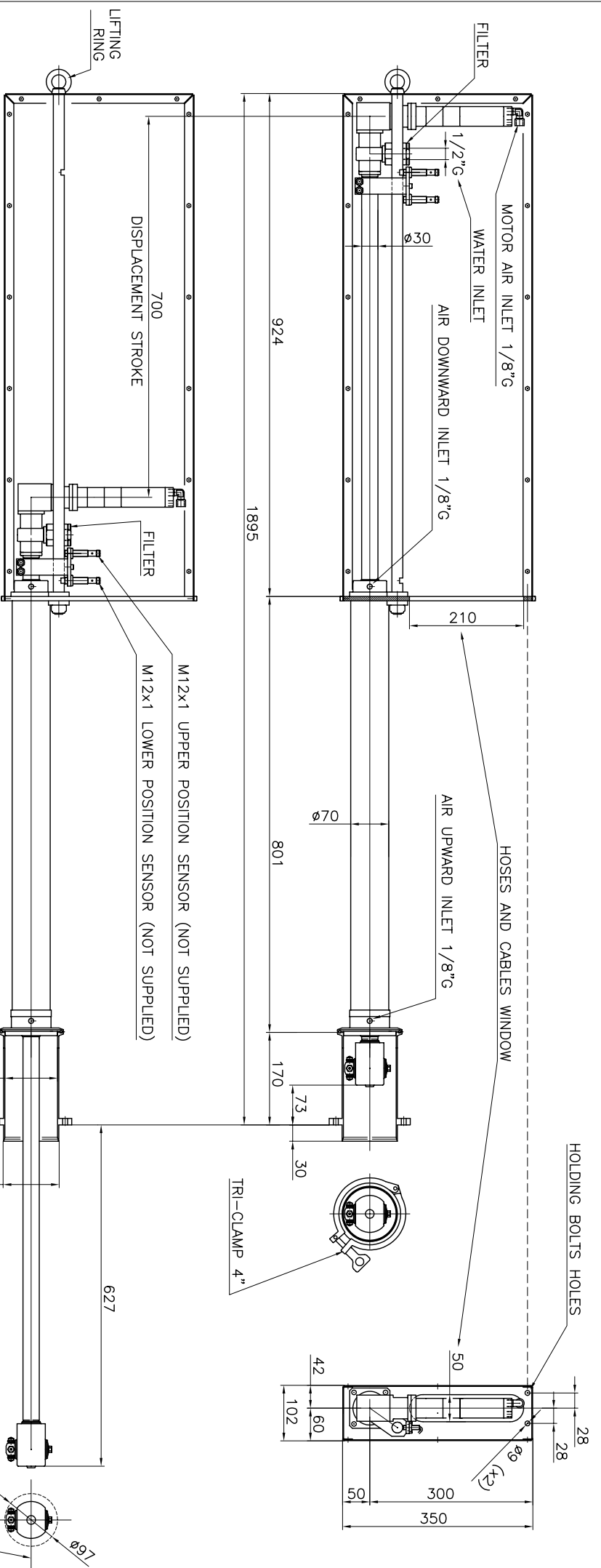
AIR PRESSURE AND CONSUMPTION

ROTATION SPEED	29 RPM	1 bar	264 L/min.	AIR
ROTATION SPEED	42 RPM	2 bar	288 L/min.	AIR
ROTATION SPEED	51 RPM	3 bar	300 L/min.	AIR
ROTATION SPEED	58 RPM	4 bar	306 L/min.	AIR
ROTATION SPEED	62 RPM	5 bar	312 L/min.	AIR
ROTATION SPEED	66 RPM	6 bar	324 L/min.	AIR



RUGOSITA' (UNI 4600)	MODIFICA	1	2	3	4	5
GREZZO	FOGLIO	XXXX				
~ = √	DATA	XXXXXXXX				
± = √	TOLLERANZE GENERALI close m. UNI-EN 22768/1					
±0.1 ±0.2 ±0.3 ±0.5 ±0.8 ±1.2	±0.6 6-±30 30-±120 120-±400 400-±1000 1000-±2000					
∇ = 3/2	NOTE:					
FINITURA 1/6	DESCRIZIONE: APPLICATION DRAWING					
∇∇ = √	XC 061 PEBD S4A					
RETTIFICA 0.8/	file: XC 061 PEBD S4A cm					
	CODICE: XC 061PEBD S4A					





TECHNICAL DATA

O.RING	EPDM
SLIPPER	PTFE+CARBON FIBER
BUSHING	NICKEL BRONZE 25%
FILTER	700 MICRON
NOZZLES POSITIONS	4
NOZZLES SIZE	1/8"NPT
OPERATING FLOW	60 L/min
OPERATING PRESSURE	150 bar
MAX TEMPERATURE	90 °C
MATERIAL	INOX AISI 316
GEARS	FIXED Z=29 ROTATING Z=31
MODULE	1
FULL CYCLE	31 ROTATIONS
FULL CYCLE TIME	1.00 MIN. AT 3 BAR AIR PRESSURE
AIR MOTOR	ATLAS COPCO BA 720 INOX
AIR EXHAUST	FESTO SILENCER BP 415 ON MOTOR
WEIGHT	6.5 KG

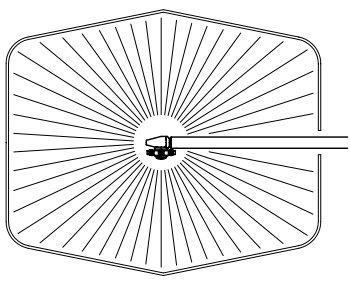
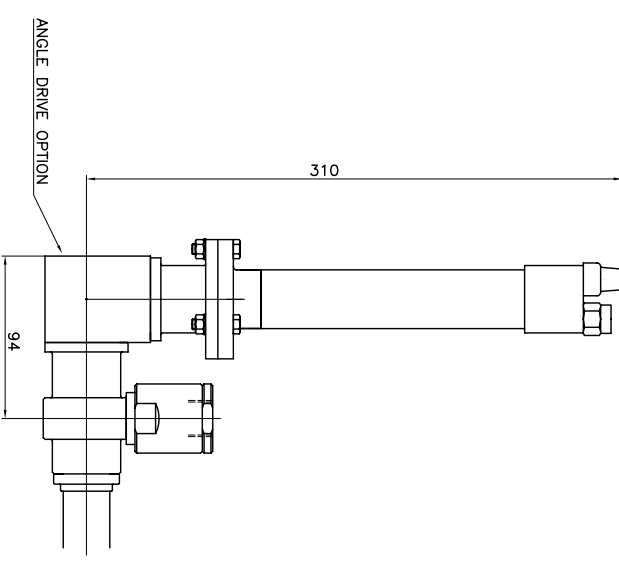
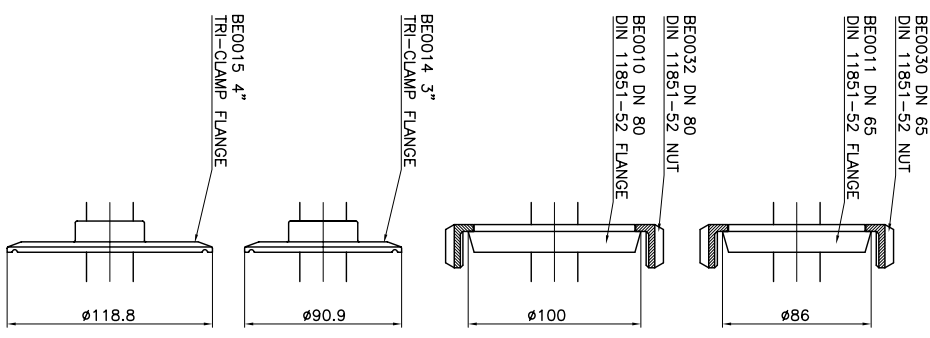
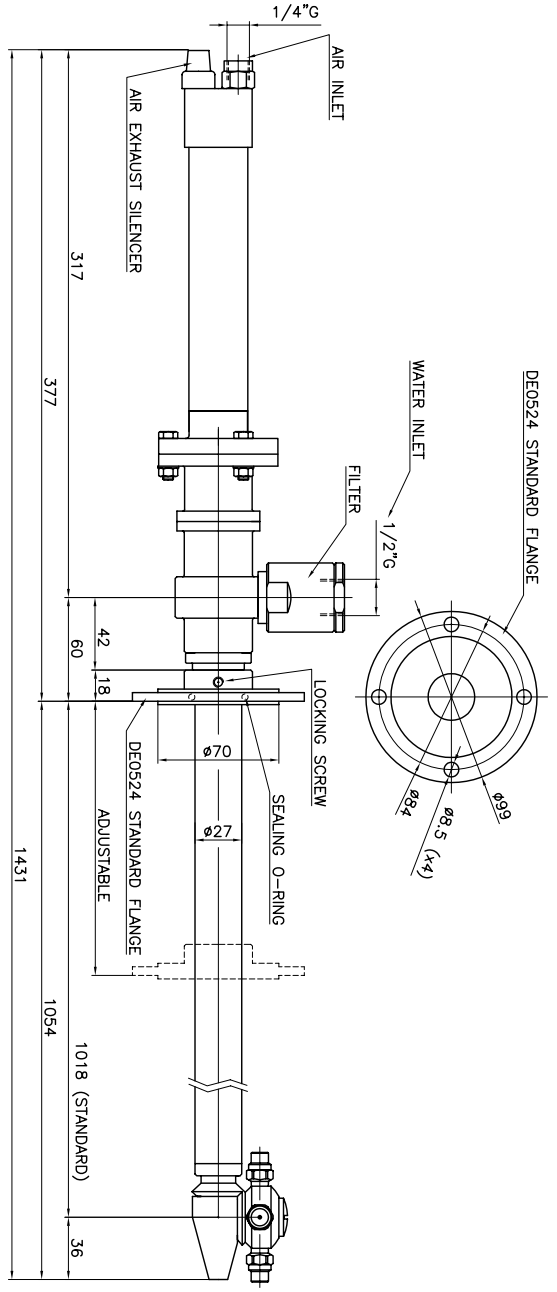
AIR PRESSURE AND CONSUMPTION

ROTATION SPEED	29 RPM	1 bar	264 L/min.	AIR
ROTATION SPEED	42 RPM	2 bar	288 L/min.	AIR
ROTATION SPEED	51 RPM	3 bar	300 L/min.	AIR
ROTATION SPEED	58 RPM	4 bar	306 L/min.	AIR
ROTATION SPEED	62 RPM	5 bar	312 L/min.	AIR
ROTATION SPEED	66 RPM	6 bar	324 L/min.	AIR

RUGOSITA' (UNI 4600)	MODIFICA	1	2	3	4	5	
GREZZO	FOGLIO	XXXX					
~ = ∅	DATA	XXXXXXXX					
SGROSS. ∇ = 3.2/	TOLLERANZE GENERALI close m. UNI-EN 22768/1	0-6	6-30	30-120	120-400	400-1000	1000-2000
FINITURA ∇∇ = 1.6/	NOTE:	±0.1	±0.2	±0.3	±0.5	±0.8	±1.2
RETTIFICA ∇∇∇ = 0.8/	DESCRIZIONE: APPLICATION DRAWING	XC 061 PEBD S3A					
	file: XC 061 PEBD S3A cm						
	CODICE: XC 061PEBD S3A						
	SCALA 1:9 A4 O						
	DISIGN.: CR CONTR.: DM						
	DATA: 26.05.08						
	MOD.						
	CLEANING HEADS						
	MONTECHIO E. (RE) - ITALY						

ROTATION SPEED	
AIR PRESSURE AND CONSUMPTION	
19 RPM	1 bar 155 L/min
28 RPM	2 bar 230 L/min
33 RPM	3 bar 275 L/min
37 RPM	4 bar 320 L/min
40 RPM	5 bar 360 L/min
51 RPM	6 bar 395 L/min

TECHNICAL DATA	
O-RING	NBR - EPDM - VITON
SLIPPER	PTFE-CARBON FIBRE
BUSHING	AINI 316
FILTER	700 MICRON
NOZZLES POSITIONS	2 - 4
NOZZLES THREAD	1/8"NPT
TESTING NOZZLES	0 x 0000
OPERATING FLOW RANGE	0 - 60 L/min
TESTING FLOW	00 L/min
OPERATING PRESSURE RANGE	0 - 200 bar
TESTING PRESSURE	000 bar
CENTER LINE MIN PASS THROUGH HOLE	95 mm
MANUAL MIN PASS THROUGH HOLE	76 mm
PIPE LENGTH	1018 mm (STANDARD)
MAX OPERATING TEMPERATURE	90 °C
MATERIAL	INOX AISI 316
CONICAL GEARS	FIXED Z=29 ROTATING Z=31
MODULE	1
FULL CYCLE	31 ROTATIONS
FULL CYCLE TIME	1 min AT 3 BAR AIR PRESSURE
AIR MOTOR	BA0705 FIAM M15Z
AIR EXHAUST	WITH SILENCER
ROTATION SPEED	SEE CHART
WEIGHT	7.5 KG

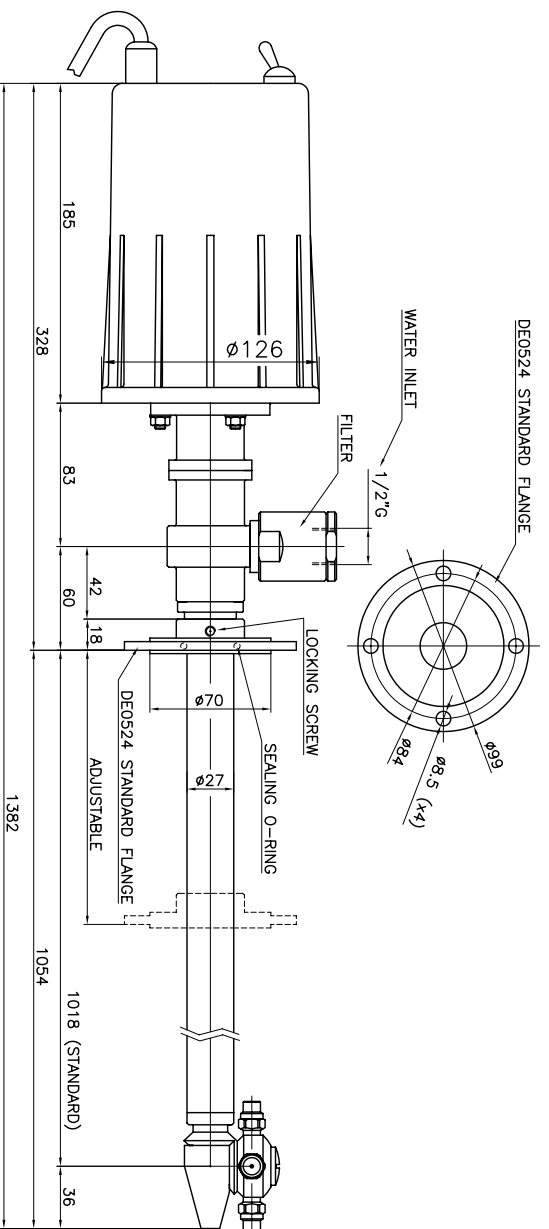


RUGOSITA' (UNI 4600)	MODIFICA	1	2	3	4	5
FOGLIO	XXXX					
GREZZO	DATA	XX XX XX				
TOLLERANZE GENERALI classe m UNI-EN 22768/1						
0+0.6	6-+30	30-+120	120-+400	400-+1000	1000-+2000	
±0.1	±0.2	±0.3	±0.5	±0.8	±1.2	
SGROSS. 3.2/						
∇ = 3.2/						
NOTE:						
FINITURA 1.6/	DESCRIZIONE:	XC 061 P				
∇∇ = 1.6/	APPLICATION	DRAWING				
RETTIFICA 0.8/						
∇∇∇ = 0.8/						
	CODICE:	XC 061 P				



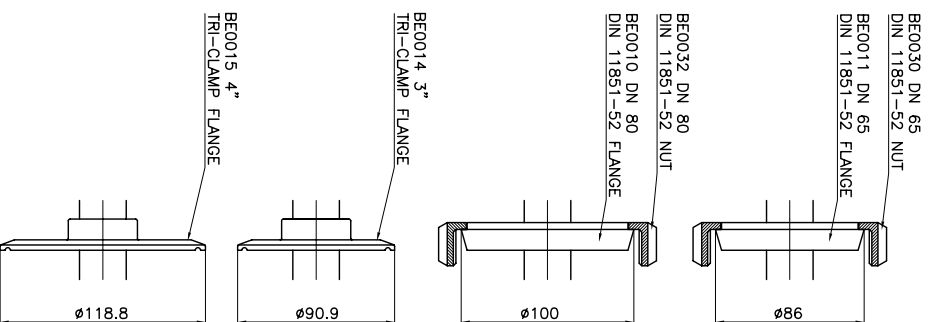
MONTECOCHIO E. (RE) - ITALY
 DISIGN.: CR ICONTR.: DM
 DATA: 06.10.08 MOD.

SCALA 1:3 A3 O

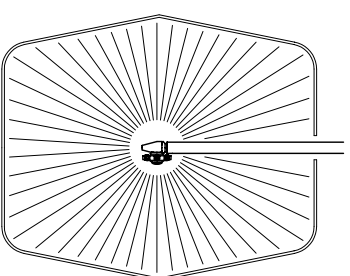


TECHNICAL DATA

O-RING	NBR - EPDM - VITON		
SLIPPER	PTFE+CARBON FIBRE		
BUSHING	AISI 316		
FILTER	700 MICRON		
NOZZLES POSITIONS	2 - 4		
NOZZLES THREAD	1/8"NPT		
TESTING NOZZLES	0 x 0000		
OPERATING FLOW RANGE	0 - 60 L/min		
TESTING FLOW	00 L/min		
OPERATING PRESSURE RANGE	0 - 200 bar		
TESTING PRESSURE	000 bar		
CENTER LINE MIN PASS THROUGH HOLE	95 mm		
MANUAL MIN PASS THROUGH HOLE	76 mm		
PIPE LENGTH	1018 mm (STANDARD)		
MAX OPERATING TEMPERATURE	90 °C		
MATERIAL	INOX AISI 316		
CONICAL GEARS	FIXED Z=29 ROTATING Z=31		
MODULE	1		
FULL CYCLE	31 ROTATIONS		
GEARBOX	W/MOTOR	BB0743	BB0743
ELECTRIC MOTOR	BB0015	BA0105	BA0102
ELECTRIC MOTOR VOLTS	24V AC/DC	48V 50Hz 1ph	230V 50Hz 1ph
ELECTRIC MOTOR AMPS	0.30 A	1.15 A	0.23 A
ROTATION SPEED	17 RPM	14 RPM	14 RPM
FULL CYCLE TIME	1.8 min	2.2 min	2.2 min
WEIGHT	7.5 KG		



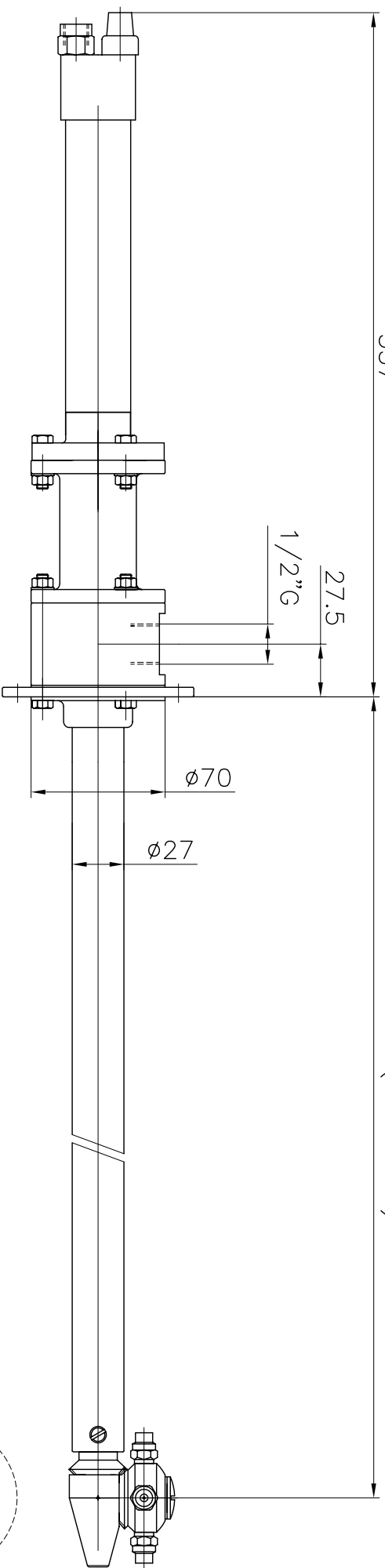
RUGOSITA' (UNI 4600)	MODIFICA	1	2	3	4	5
FOGLIO	FOGLIO	XXXX				
GREZZO	DATA	XX.XX.XX				
TOLLERANZE GENERALI classe m	UNI-EN	22768/1				
SGROSS.	0+6	6-30	30-120	120-400	400-1000	1000-2000
∇	± 0.1	± 0.2	± 0.3	± 0.5	± 0.8	± 1.2
NOTE:						
DESCRIZIONE:	XC 061 E APPLICATION DRAWING					
FINITURA	1.6/					
RETTIFICA	0.8/					
SCALA	1:3	A3	O			
CODICE:	XC 061 E					



Bonomati
CLEANING HEADS
MONTECCHIO E. (RE) - ITALY
DISIGN.: CR ICONTR.: DM
DATA: 06.10.08 MOD.

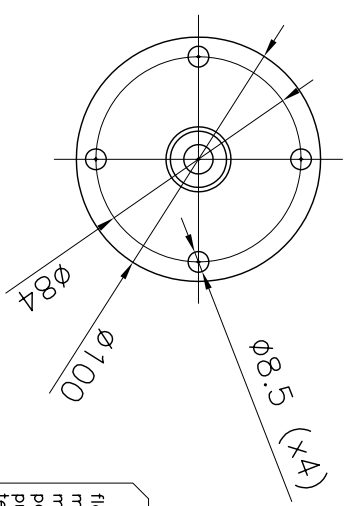
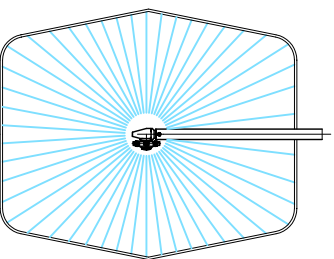
357

1018 (STANDARD)



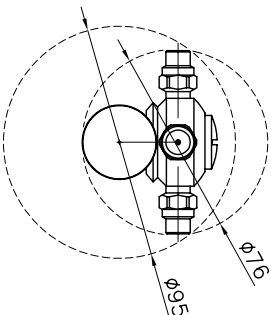
ROTATION SPEED
AIR PRESSURE AND CONSUMPTION

19 RPM	1 bar	155 L/min
28 RPM	2 bar	230 L/min
33 RPM	3 bar	275 L/min
37 RPM	4 bar	320 L/min
40 RPM	5 bar	360 L/min
51 RPM	6 bar	395 L/min

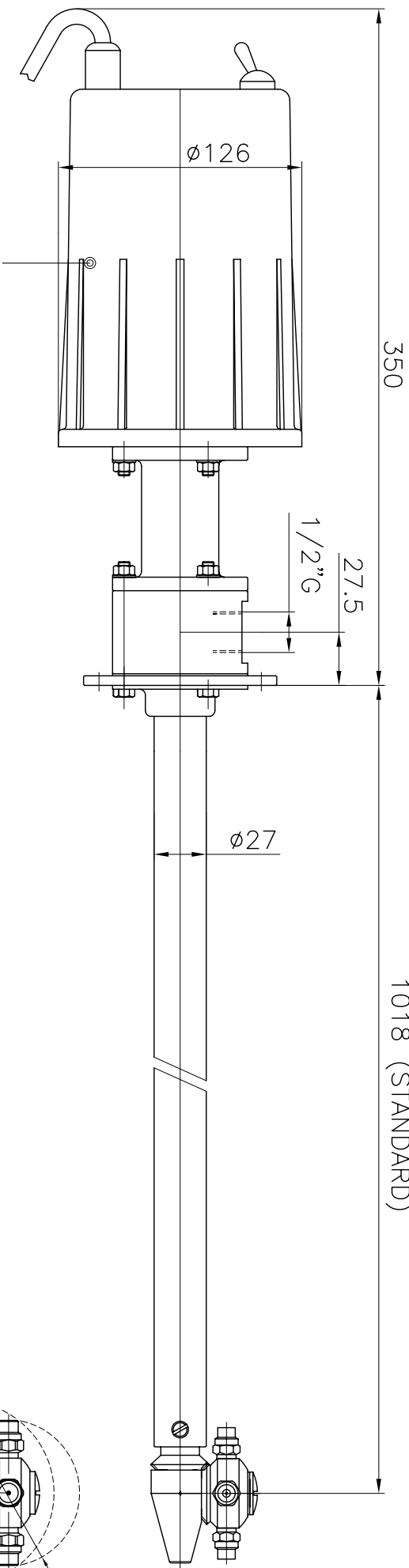


flangitura: coassiale
materiale: inox 316
motore: pneumatico
portata max: 60 l/min
pressione max: 400 bar
temperatura max: 100°C
tenute: nbr, epdm, viton
ugelli: 1/8" G
portaugelli: 2-4 vie

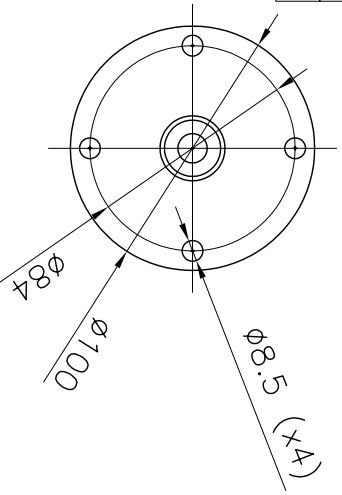
flanging: coaxial
material: stainless steel 316
motor: pneumatic
flow max: 60 l/min
pressure max: 400 bar
temperature max: 100°C
seals: nbr, epdm, viton
nozzles: 1/8" G
nozzle holder: 2-4 holes



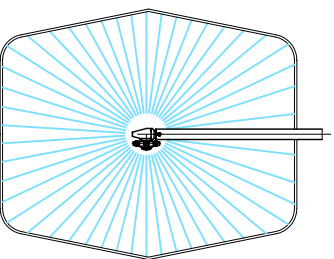
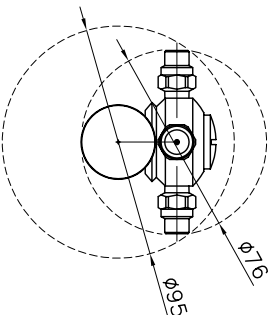
RUGOSITA' (UNI 4600)	MODIFICA	1	2	3	4	5
	FOGLIO	XXXX				
GREZZO	DATA	XX.XX.XX				
	TOLLERANZE GENERALI classe m UNI-EN 22768/1	0 ÷ 6	6 ÷ 30	30 ÷ 120	120 ÷ 400	400 ÷ 1000
SGROSS.	± 0.1	± 0.2	± 0.3	± 0.5	± 0.8	± 1.2
NOTE:	VERSION 400 BAR					
FINITURA	DESCRIZIONE: DISEGNO DI APPLICAZIONE					
RETTIFICA	XC 060 P					
	INSTALLATION DRAWING					
	XC 060 P					
 CLEANING HEADS MONTECCHIO E. (RE) - ITALY	SCALE	1:3				
	CODICE:	XC 060 P				
DATA: 01.01.05	DISIGN.: CR	CONTR.: DM	MOD.			



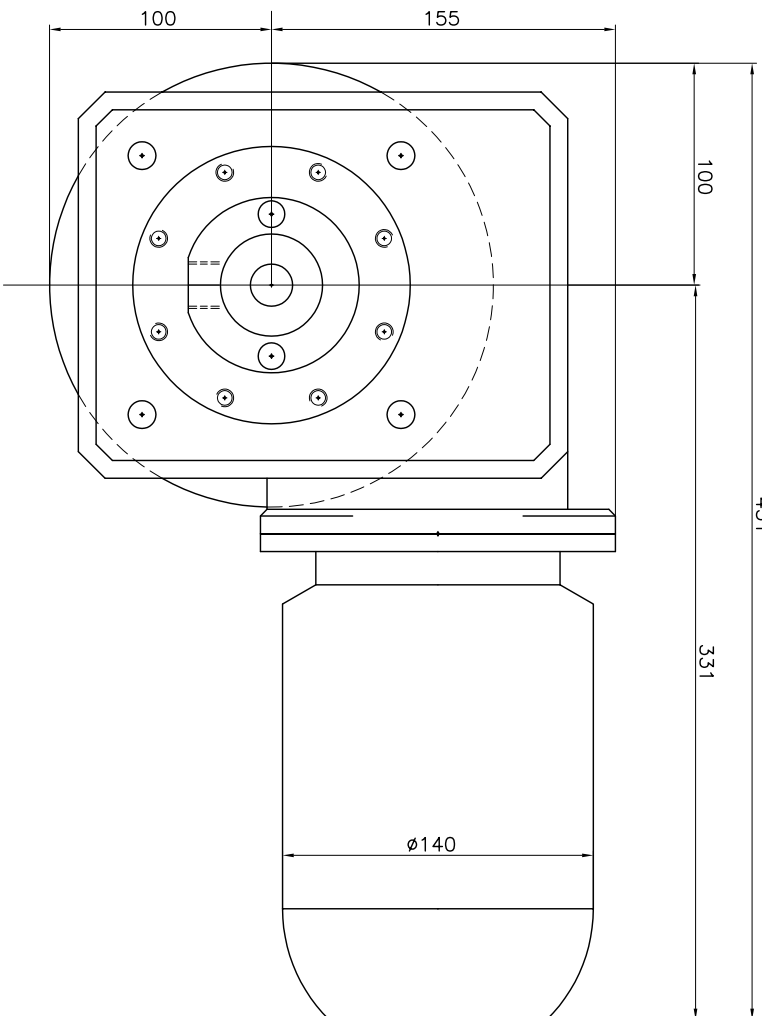
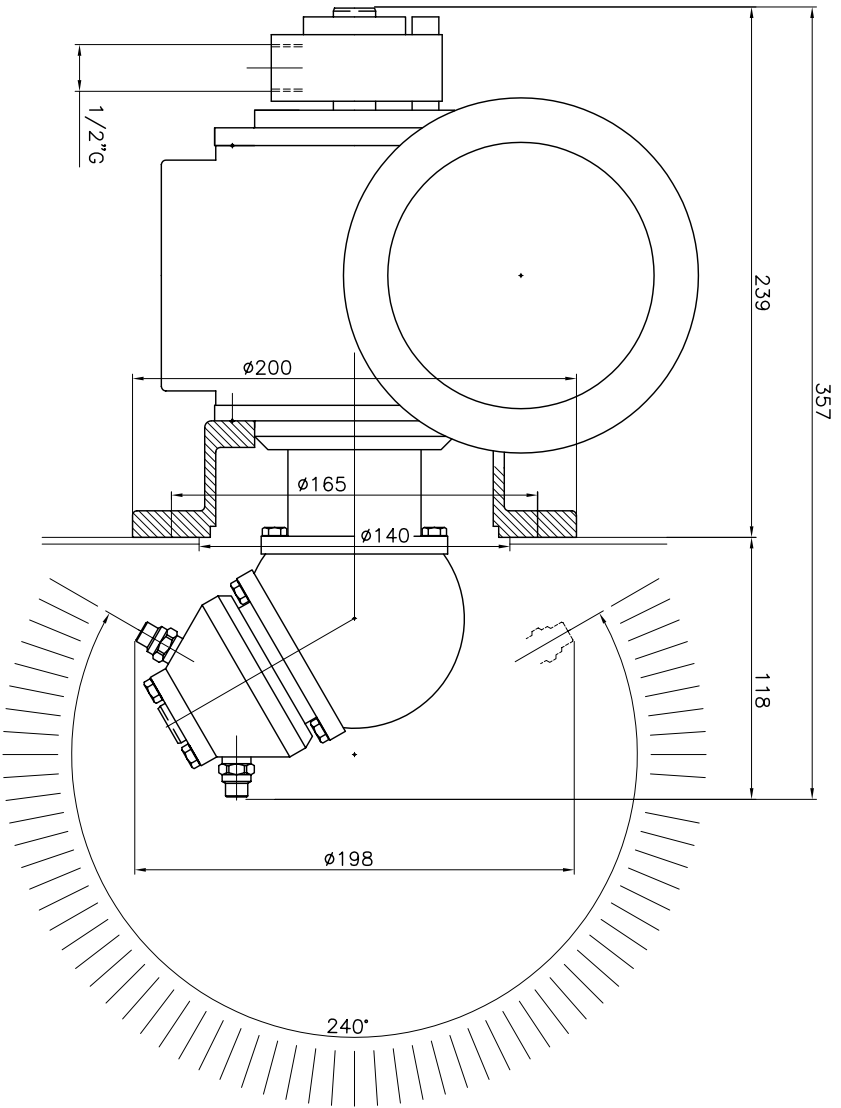
motore elettrico: 24V, 48V, 48V, 230V, 380V, anti-deflagrante
 electric motor: 24V, 48V, 230V, 380V, explosion-proof



flangidatura: coassiale materiale: inox 316 motore: elettrico portata max: 60 l/min pressione max: 400 bar temperatura max: 90°C tenuta: nbr, epdm, viton ugelli: 1/8" G portaugelli: 2-4 vie	flanging: coaxial materials: stainless steel 316 motor: electric flow max: 60 l/min pressure max: 400 bar temperature max: 90°C seals: nbr, epdm, viton nozzles: 1/8" G nozzle holder: 2-4 holes
---	--

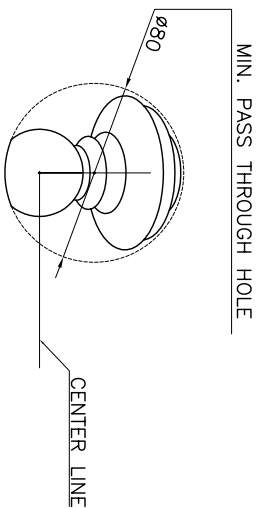
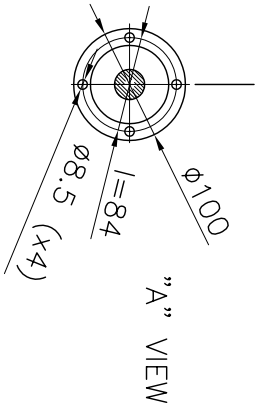
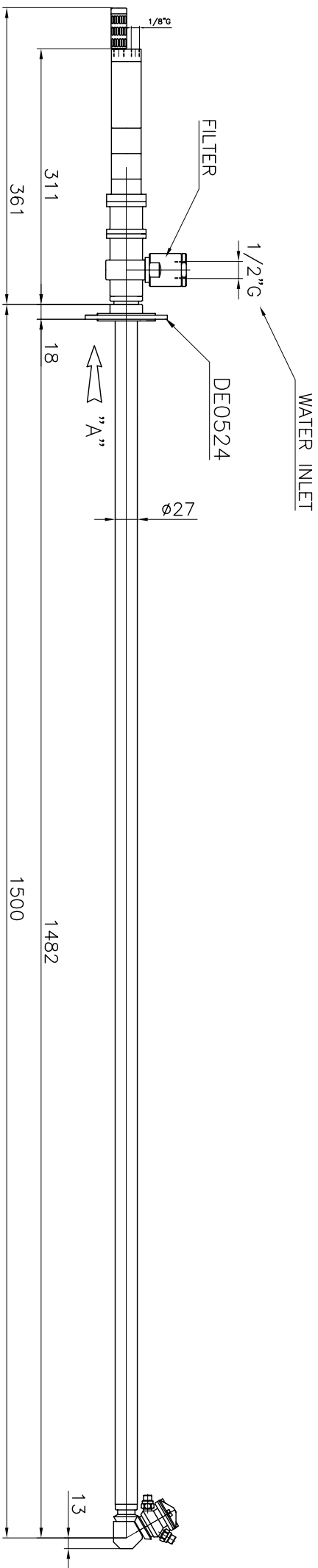


RUGOSITA' (UNI 4600)	MODIFICA	1	2	3	4	5	
	FOGLIO	XXXX					
GREZZO	DATA	XX.XX.XX					
	TOLLERANZE GENERALI classe m UNI-EN 22768/1	0-6	6-30	30-120	120-400	400-1000	1000-2000
SGROSS.		±0.1	±0.2	±0.3	±0.5	±0.8	±1.2
∇ = 3.2	NOTE:	VERSION 400 bar					
FINITURA	DESCRIZIONE:	DISEGNO DI APPLICAZIONE					
∇∇ = 1.6		XC 060 E					
RETTIFICA		INSTALLATION DRAWING					
∇∇∇ = 0.8		XC 060 E					
 CLEANING HEADS MONTECCHIO E. (RE) - ITALY		DISEGN.: CR CONTR.: DM		DATA: 01.01.05		MOD.	
CODICE: XC 060 E		SCALE: 1:3 A4		MOD.		O	

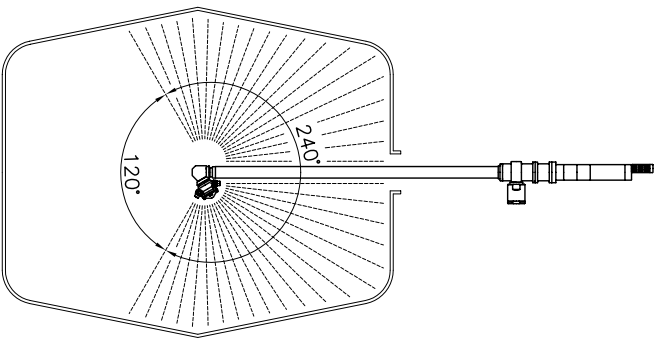


PORTATA MAX	MAX FLOW	100 litri/min.
PRESSIONE MAX	MAX PRESSURE	150 bar
N° UGELLI	NOZZLES POSITIONS	4
FILETTATURA UGELLI	NOZZLE THREAD	1/4" NPT
MOTORE ELETTRICO	ELECTRIC MOTOR	71B5-4POLI-1400RPM-0.37KW-3PH-400V-50HZ
RIDUTTORE	GEARBOX	W/5 - RAPPORTO 1:80 RATIO
VELOCITA' ROTAZIONE	ROTATION SPEED RPM	18
MATERIALE TESTA	HEAD MATERIAL	INOX
PESO	WEIGHT	19.5 Kg.

RUGOSITA' (UNI 4600)	MODIFICA	1	2	3	4	5	 Bolonchi CLEANING HEADS MONTECCHIO E. (RE) - ITALY
GREZZO	FOGLIO	XXXX					
~ = ∅	DATA	XX.XX.XX					TOLLERANZE GENERALI classe m UNI-EN 22768/1 0+6 6-30 30+120 120+400 400+1000 1000+2000 ±0.1 ±0.2 ±0.5 ±0.5 ±0.8 ±1.2 NOTE:
SRGROSS. 3/2	NOTE:						
V = 3/2	MATERIALE:						DISEGN.: CR1 CONTR.: DM. DATA: 29.09.10 SCALA: 1:2
FINITURA 1/g							CODICE: XC059E A3 O
RETIFICATA 0/g	DESCRIZIONE: CONCRETE MIXER WASHING HEAD						
VVV = ∅	TESTA LAVAGGIO SISTEMI BETONAGGIO						



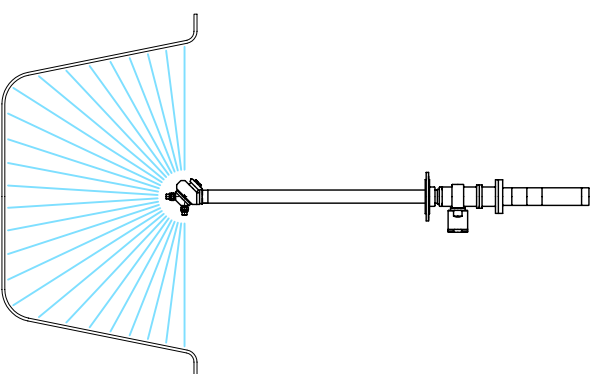
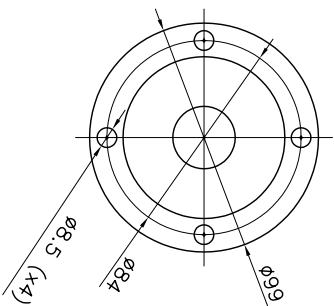
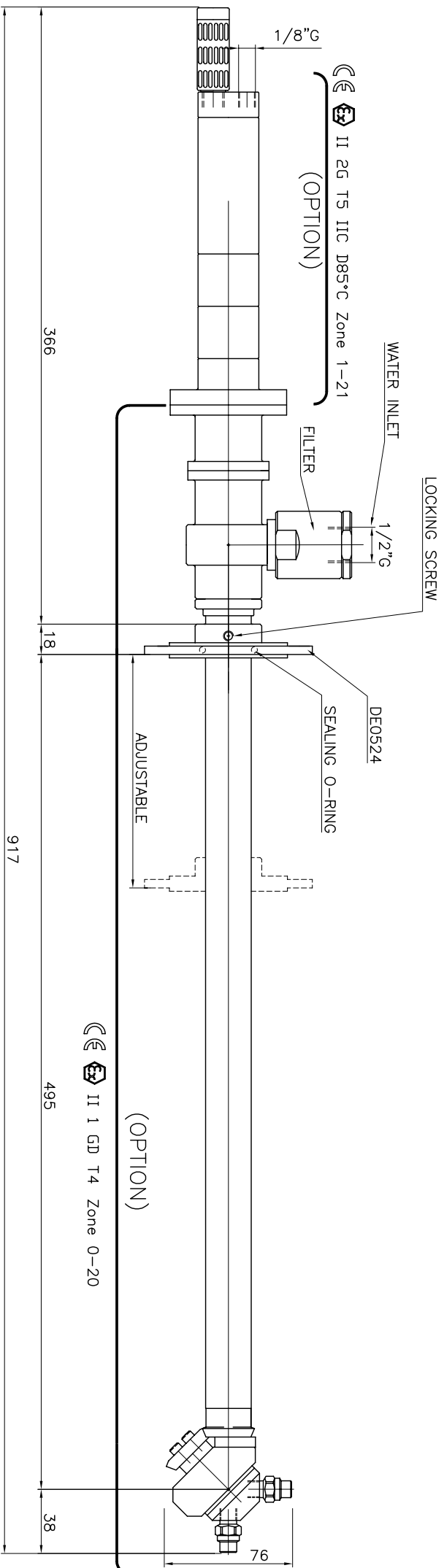
AIR PRESSURE AND CONSUMPTION	
ROTATION SPEED 29 RPM	1 bar 264 L/min. AIR
ROTATION SPEED 42 RPM	2 bar 288 L/min. AIR
ROTATION SPEED 51 RPM	3 bar 300 L/min. AIR
ROTATION SPEED 58 RPM	4 bar 306 L/min. AIR
ROTATION SPEED 62 RPM	5 bar 312 L/min. AIR
ROTATION SPEED 66 RPM	6 bar 324 L/min. AIR



TECHNICAL DATA

O-RING	EPDM
SLIPPER	PTFE+CARBON FIBER
BUSHING	NICKEL BRONZE 25%
FILTER	700 MICRON
NOZZLES POSITIONS	4
NOZZLES SIZE	1/8"NPT
OPERATING FLOW	60 L/min
OPERATING PRESSURE	150 bar
MAX TEMPERATURE	90 °C
MATERIAL	INOX AISI 316
GEARS	FIXED Z=29 ROTATING Z=31
MODULE	1
FULL CYCLE	31 ROTATIONS
FULL CYCLE TIME	1.00 MIN. AT 3 BAR AIR PRESSURE
AIR MOTOR	ATLAS COPCO BA 720 INOX
AIR EXHAUST	FESTO SILENCER BP 415 ON MOTOR
WEIGHT	6.5 KG

RUGOSITA' (UNI 4600)	MODIFICA	1	2	3	4	5
GREZZO	FOGLIO	XXXX				
~ = ϕ	DATA	XX.XX.XX				
SGROSS. = $3/2$	TOLLERANZE GENERALI close m UNI-EN 22768/1					
∇ = $3/2$	0-6 ±0.1 6-30 ±0.2 30-120 ±0.3 120-400 ±0.5 400-1000 ±0.8 1000-2000 ±1.2					
FINITURA = $1/6$	VERSION: 01					
RETTIFICA = 0.8	NOTE:					
$\nabla\nabla = 0.8$	DESCRIPTION: APPLICATION DRAWING					
	CODICE: XC031_240°BK-PE.01					
	 CLEANING HEADS MONTECCHIO E. (RE) - ITALY DATA: 14.09.07 SCALA 1:3 A4 0					



TECHNICAL DATA

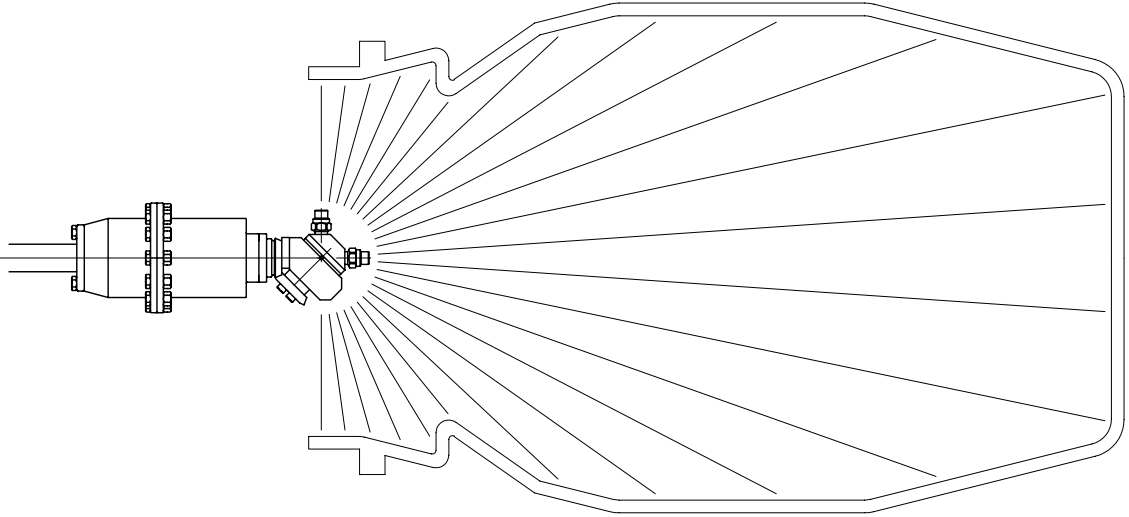
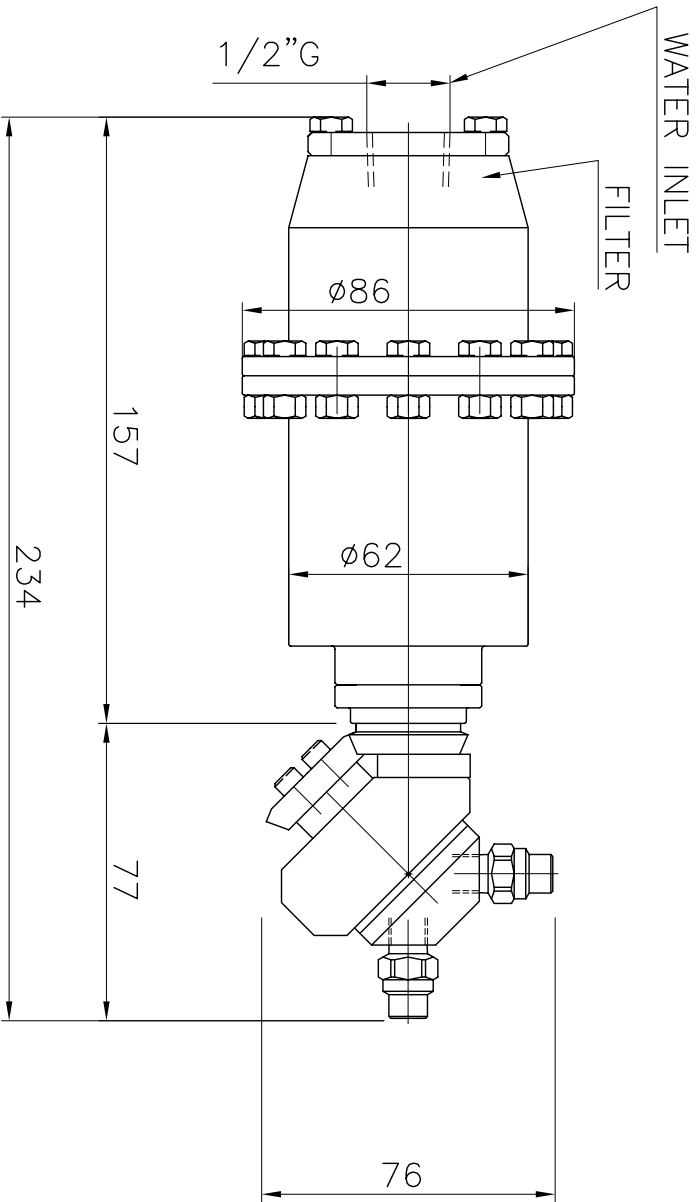
O-RING	NBR-EPDM-VITON
SUPPLIER	PTFE+CARBON FIBER
FILTER	700 MICRON
NOZZLES POSITIONS	2 - 4
NOZZLES SIZE	1/8"NPT
OPERATING FLOW	MAX 60 L/min
OPERATING PRESSURE	MAX 200 bar
MAX TEMPERATURE	90 °C
MATERIAL	INOX AISI 316
FULL CYCLE	31 ROTATIONS
FULL CYCLE TIME	1.00 MIN. AT 3 BAR AIR PRESSURE
WEIGHT	4.9 KG

AIR PRESSURE AND CONSUMPTION

ROTATION SPEED	29 RPM	1 bar	264 L/min. AIR
ROTATION SPEED	42 RPM	2 bar	288 L/min. AIR
ROTATION SPEED	51 RPM	3 bar	300 L/min. AIR
ROTATION SPEED	58 RPM	4 bar	306 L/min. AIR
ROTATION SPEED	62 RPM	5 bar	312 L/min. AIR
ROTATION SPEED	66 RPM	6 bar	324 L/min. AIR


RUGOSTITA' (UNI 4600)	MODIFICA	1	2	3	4	5
GREZZO	FOGLIO DATA	xxxx				
~ = ϕ	TOLLERANZE GENERALI classe m UNI-EN 22768/1					
SGROSS = $3/2$	0+6 -1 6+30 30+120 120+400 400+1000 1000+2000					
V = $1/2$	NOTE: ±0.1 ±0.2 ±0.3 ±0.5 ±0.8 ±1.2					
VV = $1/4$	MATERIALE: INOX					
FINITURA	DESCRIZIONE: APPLICATION DRAWING					
RETTIFICA	XC 031_180FR-PPD.01					
VVV = $1/8$	CODICE: XC 031_180FR-PPD.01					

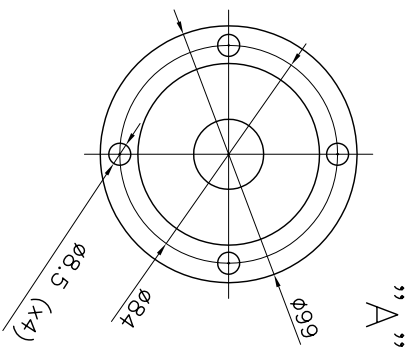
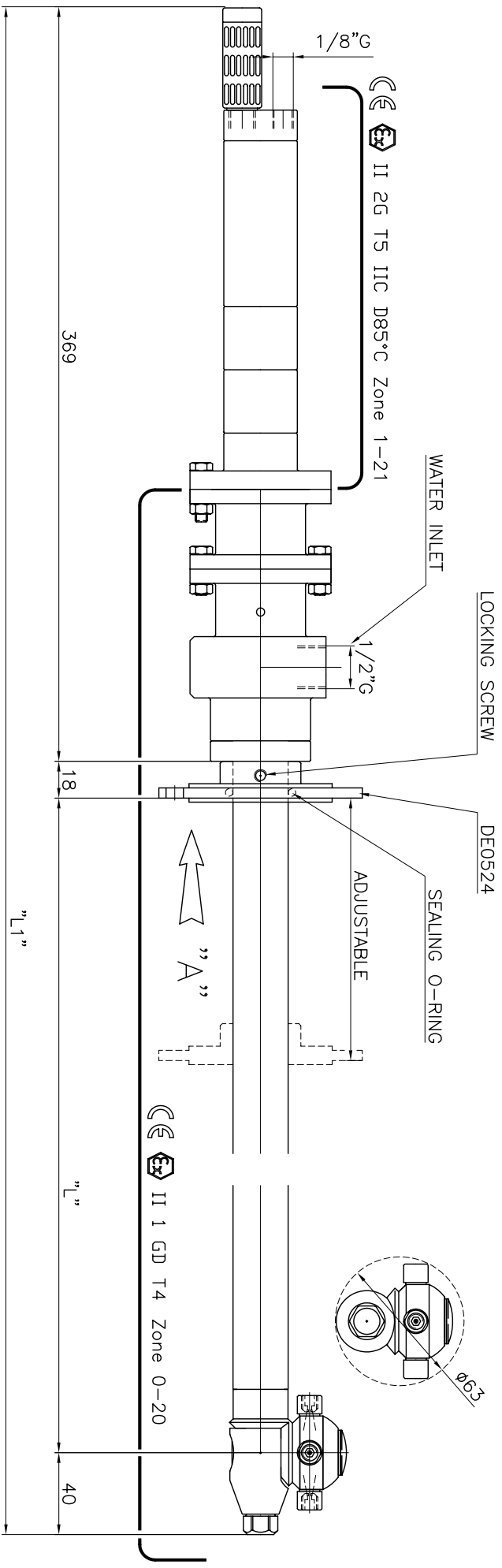




TECHNICAL DATA

O.RING	EPDM
SLIPPER	PTFE+CARBON FIBRE
FILTER	700 MICRON
NOZZLES POSITIONS	2-4
NOZZLES TYPE	1/8"NPT
MAX OPERATING FLOW	60 L/min
MAX OPERATING PRESSURE	150 bar
MAX OPERATING TEMPERATURE	90 °C
MATERIAL	INOX AISI 316
CONICAL GEARS	FIXED Z=29 ROTATING Z=31
MODULE	1
COMPLETE CYCLE	31 ROTATIONS
COMPLETE CYCLE TIME	30 SEC
ROTATION SPEED	60 RPM
WEIGHT	7.5 KG

RUGOSITA' (UNI 4600)	MODIFICA	1	2	3	4	5
GREZZO	FOGLIO	XXXX				
~ = √	DATA	XX.XX.XX				
SGROSS. ∇ = √	TOLLERANZE GENERALI classe m UNI-EN 22768/1					
∇ = √	0-6	6-30	30-120	120-400	400-1000	1000-2000
	±0.1	±0.2	±0.3	±0.5	±0.8	±1.2
	NOTE: file: XC 061 AAH cm					
FINITURA ∇∇ = √	DESCRIZIONE: APPLICATION DRAWING					
RETTIFICA ∇∇∇ = √	XC031_180°FR-AAM.01					
	DISEGN.: CR		CONTR.: DM		CODICE: XC031_180°FR-AAM.01	
	DATA: 07.05.08		MOD.		SCALA 1:2 A4 O	
	 CLEANING HEADS MONTECCHIO E. (RE) - ITALY					



"A" VIEW

DIMENSION "L"	DIMENSION "L1"
526	953
1026	1453
1526	1953
2026	2453
2526	2953
3026	3453
3526	3953
4026	4453

TECHNICAL DATA

O-RING	NBR-EPDM-VITON
SLIPPER	PTFE+CARBON FIBER
BUSHING	AISI 316
NOZZLES POSITIONS	2 - 4
NOZZLES SIZE	SPECIAL 1/8"G
OPERATING FLOW	MAX 60 L/min
OPERATING PRESSURE	MAX 500 bar
MAX TEMPERATURE	90 °C
MATERIAL	INOX AISI 316
GEARS	FIXED Z=29 ROTATING Z=31
MODULE	1
FULL CYCLE	31 ROTATIONS
FULL CYCLE TIME	1.00 MIN. AT 3 BAR AIR PRESSURE
AIR MOTOR	ATLAS COPCO ATEX BA 725 INOX
AIR EXHAUST	FESTO SILENCER BP 415 ON MOTOR
WEIGHT	4.9 KG

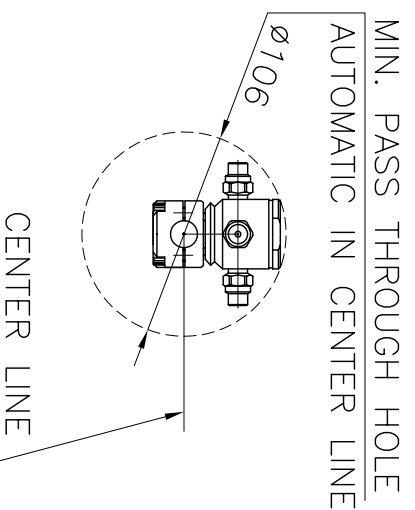
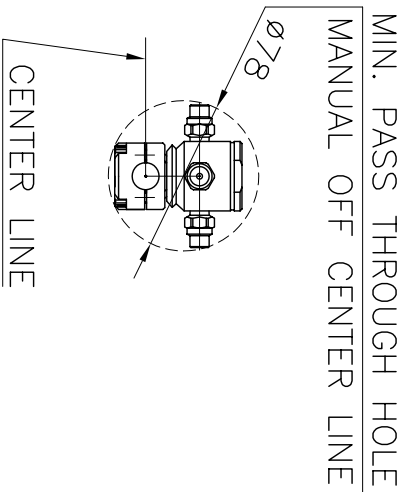
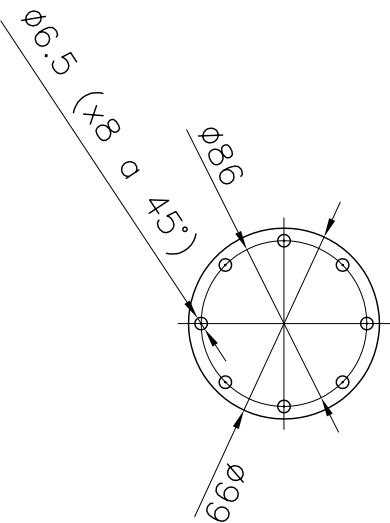
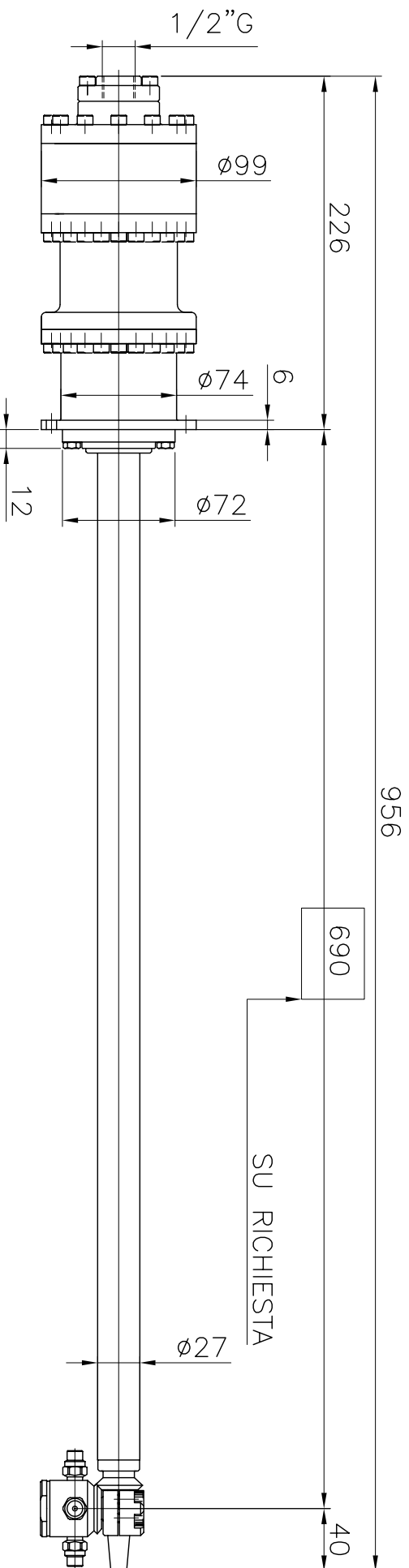
AIR PRESSURE AND CONSUMPTION

ROTATION SPEED	29 RPM	1 bar	264 L/min. AIR
ROTATION SPEED	42 RPM	2 bar	288 L/min. AIR
ROTATION SPEED	51 RPM	3 bar	300 L/min. AIR
ROTATION SPEED	58 RPM	4 bar	306 L/min. AIR
ROTATION SPEED	62 RPM	5 bar	312 L/min. AIR
ROTATION SPEED	66 RPM	6 bar	324 L/min. AIR

RUGOSITA' (UNI 4600)	MODIFICA	1	2	3	4	5
FOGLIO	xxxx					
GREZZO	DATA	XX.XX.XX				
TOLLERANZE GENERALI classe m UNI-EN 22768/1						
0+6	6-30	30-120	120-400	400-1000	1000-2000	
±0.1	±0.2	±0.3	±0.5	±0.8	±1.2	
NOTE:						
FINITURA 1/g	MATERIALE:					
VV = 1/g						
RETTIFICA 0,8g	DESCRIZIONE: APPLICATION DRAWING					
VVV = 0,8g	XC 561 P cm					
	CODICE: XC 561 P cm					



SCALE 1:2 A3 O



TECHNICAL DATA	
temperature max	90°C
pressure max	500 bar
flow	15-60 l/min
spinning speed	16 rpm
washing cycle time	2 min
water inlet	1/2" G
inlet filter	700 micron
material	INOX
seals	NBR
nozzle size	1/8" NPT
nozzles positions	2 - 4
weight	9.5 Kg

RUGOSITA' (UNI 4600)	MODIFICA	1	2	3	4	5
	FOGLIO	XXXX				
GREZZO	DATA	XX.XX.XX				
	TOLLERANZE GENERALI classe m UNI-EN 22768/1	0 ÷ 6	6 ÷ 30	30 ÷ 120	120 ÷ 400	400 ÷ 1000
SGROSS.	± 0.1	± 0.2	± 0.3	± 0.5	± 0.8	± 1.2
FINITURA	NOTE: 21.07.08					
RETTIFICA	MATERIALE:					
DESCRIZIONE: XC 563AAO	INSTALLATION DRAWING					
weight	CODICE: XC 563AAO					



DISEGN.: CR | CONTR.: DM
 DATA: 19.11.07 | MOD.

SCALA 1:1 | A4 | O

OFF. MECC. BOLONDI IVANO
Via Volta, 4
42027 Montecchio Emilia
Reggio Emilia - ITALY
phone +39 0522 864434
fax +39 0522 865780
www.bolondi.com