



MCP series - Progressive cavity pumps for grape crusher



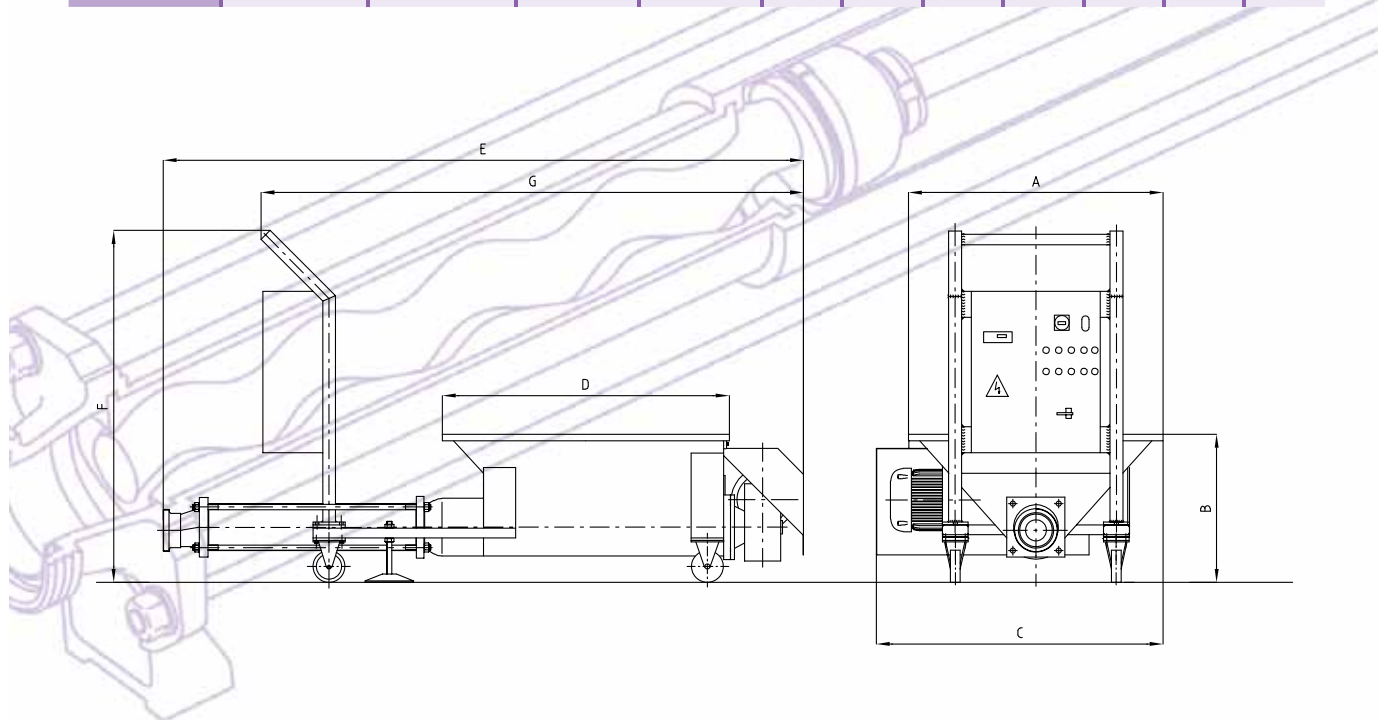
- New series of eccentric screw pumps with hopper and pre-feeding screw, are for transporting oenological products (pressed grapes with or without grape-stalks). Made of stainless steel with a protective grid over the hopper, the pump unit includes a compact angular drive motor, with the complete unit mounted on a mobile trolley fitted with swivel wheels.
- The drive motor can be either fixed speed for a constant delivery, or variable speed using a frequency converter to adjust the motor speed and pump output, to suit varying production requirements.
You can install a special level detector that transmits a modulating signal to the frequency converter, so that the pump speed is automatically adjusted according to the incoming flow of liquid, or to stop the pump when there is no product.
For gentle product handling, speed changes occur gradually and in proportion to production conditions.

MCP SERIES PROGRESSIVE CAVITY PUMPS

TECHNICAL DATA AND OVERALL DIMENSIONS

Dimensions not binding

PUMP MODEL	DELIVERY m ³ /h	POWER INSTALLED kW	Outlet port		A	B	C	D	E	F	G
			DIN 11851	Oenological							
MCP 100-1	4	4	DN 100/100	Ø 100	790	460	890	890	1636	1092	1382
	8	4									
	12	5,5									
	2 ÷ 12	5,5									
MCP 110-L	16	5,5	DN 100/100	Ø 100	790	460	890	890	1986	1092	1682
	22	5,5									
	26	7,5									
	9 ÷ 26	7,5									
MCP 130-L	18	5,5	DN 100/100	Ø 120	890	500	1100	990	2420	1000	1800
	25	7,5									
	40	9,2									
	10 ÷ 40	9,2									
MCP 150-1	22	7,5	DN 150/150	Ø 150	1040	550	1250	1040	2350	1000	1950
	34	11									
	50	11									
	10 ÷ 50	11									
MCP 160-L	52	11	DN 150/150	Ø 150	1040	550	1350	1040	2900	1000	2450
	80	15									
	30 ÷ 100	18,5									



CSF Inox S.p.A. Strada per Bibbiano, 7 - 42027 Montecchio E. (RE) - ITALY EU
Ph +39.0522.869911 r.a. - Fx +39.0522.865454 / 866758 - csfitalia@csf.it - www.csf.it

Export Department • Commercial Étranger • Comercial Extranjero
Ph +39.0522.869922 - Fx +39.0522.869841 - csfexport@csf.it - www.csf.it