

# P4/PX4

Original™ Series **METAL** Pumps

# EOM

Engineering  
Operation &  
Maintenance



Simplify your process

**PRO-FLO**<sup>®</sup>  
PROGRESSIVE PUMP TECHNOLOGY

**PRO-FLO**<sup>™</sup>**X**  
PROGRESSIVE PUMP TECHNOLOGY



# WILDEN

A **DOVER** COMPANY

WIL-10310-E-07  
Replaces WIL-10310-E-06

**TABLE OF CONTENTS**

**SECTION 1 CAUTIONS—READ FIRST! .....1**

**SECTION 2 WILDEN PUMP DESIGNATION SYSTEM .....2**

**SECTION 3 HOW IT WORKS—PUMP & AIR DISTRIBUTION SYSTEM .....3**

**SECTION 4 DIMENSIONAL DRAWINGS .....4**

**SECTION 5 PERFORMANCE**

    A. P4 Metal Performance Curves

        Rubber-Fitted .....6

        TPE-Fitted .....6

        PTFE-Fitted .....7

        Full Stroke PTFE-Fitted .....7

        Ultra-Flex™ -Fitted .....8

        Suction Lift Curves .....9

    B. PX4 Performance

        Operating Principal .....12

        How to Use this EMS Curve .....13

        Performance Curves

            Rubber-Fitted .....16

            TPE-Fitted .....17

            PTFE-Fitted .....18

            Full Stroke PTFE-Fitted .....19

            Ultra-Flex™ -Fitted .....20

        Suction Lift Curves .....21

**SECTION 6 SUGGESTED INSTALLATION, OPERATION & TROUBLESHOOTING .....23**

**SECTION 7 DISASSEMBLY / REASSEMBLY .....26**

**SECTION 8 EXPLODED VIEW AND PARTS LISTING**

    P4 Metal

        Full Stroke Diaphragm-Fitted .....34

        Reduced Stroke Diaphragm-Fitted .....36

        1-Piece Center Section Full Stroke Diaphragm-Fitted .....38

        1-Piece Center Section Reduced Stroke Diaphragm-Fitted .....40

    PX4 Metal

        Full Stroke Diaphragm-Fitted .....42

        Reduced Stroke Diaphragm-Fitted .....44

**SECTION 9 ELASTOMER OPTIONS .....46**





## CAUTIONS—READ FIRST!

- CAUTION:** Do not apply compressed air to the exhaust port — pump will not function.
- CAUTION:** Do not, under any circumstance, loosen the set screw located at the adjust dial of the Pro-Flo X™ pump. If the set screw is loose when the pump is pressurized, it could eject and cause injury to anyone in the area.
- CAUTION:** Do not over-lubricate air supply — excess lubrication will reduce pump performance. Pump is pre-lubed.
- TEMPERATURE LIMITS:**
- |                                    |                    |                |
|------------------------------------|--------------------|----------------|
| Neoprene                           | -17.7°C to 93.3°C  | 0°F to 200°F   |
| Buna-N                             | -12.2°C to 82.2°C  | 10°F to 180°F  |
| EPDM                               | -51.1°C to 137.8°C | -60°F to 280°F |
| Viton®                             | -40°C to 176.7°C   | -40°F to 350°F |
| Saniflex™                          | -28.9°C to 104.4°C | -20°F to 220°F |
| Polytetrafluoroethylene (PTFE)     | 4.4°C to 104.4°C   | 40°F to 220°F  |
| Polyurethane                       | -12.2°C to 65.6°C  | 10°F to 150°F  |
| Tetra-Flex™ PTFE w/Neoprene Backed | 4.4°C to 107.2°C   | 40°F to 225°F  |
| Tetra-Flex™ PTFE w/EPDM Backed     | -10°C to 137°C     | 14°F to 280°F  |
- NOTE: Not all materials are available for all models. Refer to Section 2 for material options for your pump.
- CAUTION:** When choosing pump materials, be sure to check the temperature limits for all wetted components. Example: Viton® has a maximum limit of 176.7°C (350°F) but polypropylene has a maximum limit of only 79°C (175°F).
- CAUTION:** Maximum temperature limits are based upon mechanical stress only. Certain chemicals will significantly reduce maximum safe operating temperatures. Consult Chemical Resistance Guide (E4) for chemical compatibility and temperature limits.
- WARNING:** Prevention of static sparking — If static sparking occurs, fire or explosion could result. Pump, valves, and containers must be grounded to a proper grounding point when handling flammable fluids and whenever discharge of static electricity is a hazard.
- CAUTION:** Do not exceed 8.6 bar (125 psig) air supply pressure.
- CAUTION:** The process fluid and cleaning fluids must be chemically compatible with all wetted pump components. Consult Chemical Resistance Guide (E4).
- CAUTION:** Do not exceed 82°C (180°F) air inlet temperature for Pro-Flo X™ models.
- CAUTION:** Pumps should be thoroughly flushed before installing into process lines. FDA and USDA approved pumps should be cleaned and/or sanitized before being used.
- CAUTION:** Always wear safety glasses when operating pump. If diaphragm rupture occurs, material being pumped may be forced out air exhaust.
- CAUTION:** Before any maintenance or repair is attempted, the compressed air line to the pump should be disconnected and all air pressure allowed to bleed from pump. Disconnect all intake, discharge and air lines. Drain the pump by turning it upside down and allowing any fluid to flow into a suitable container.
- CAUTION:** Blow out air line for 10 to 20 seconds before attaching to pump to make sure all pipeline debris is clear. Use an in-line air filter. A 5µ (micron) air filter is recommended.
- NOTE:** When installing PTFE diaphragms, it is important to tighten outer pistons simultaneously (turning in opposite directions) to ensure tight fit. (See torque specifications in Section 7.)
- NOTE:** Cast Iron PTFE-fitted pumps come standard from the factory with expanded PTFE gaskets installed in the diaphragm bead of the liquid chamber. PTFE gaskets cannot be re-used. Consult PS-TG for installation instructions during reassembly.
- NOTE:** Before starting disassembly, mark a line from each liquid chamber to its corresponding air chamber. This line will assist in proper alignment during reassembly.
- CAUTION:** Pro-Flo® pumps cannot be used in submersible applications. Pro-Flo X™ is available in both submersible and non-submersible options. Do not use non-submersible Pro-Flo X™ models in submersible applications. Turbo-Flo® pumps can also be used in submersible applications.
- CAUTION:** Tighten all hardware prior to installation.

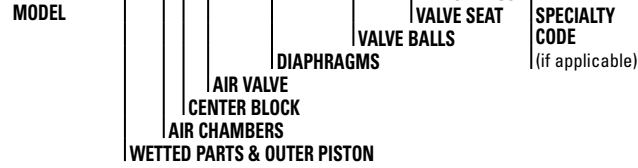
**WILDEN PUMP DESIGNATION SYSTEM**

**P4/PX4 METAL**

**38 mm (1-1/2") Pump**  
**Maximum Flow Rate:**  
**348 lpm (92 gpm)**

**LEGEND**

**PX4 / XXXXX / XXX / XX / XXX / XXXX**



**MATERIAL CODES**

**MODEL**

P4 = PRO-FLO®  
PX4 = PRO-FLO X™

**WETTED PARTS & OUTER PISTON**

AA = ALUMINUM / ALUMINUM  
SS = STAINLESS STEEL / STAINLESS STEEL  
WW = CAST IRON / CAST IRON  
WM = CAST IRON / MILD STEEL

**AIR CHAMBERS/CENTER SECTION**

A = ALUMINUM  
L = ACETAL (P4 only)  
N = NICKEL-PLATED  
S = STAINLESS STEEL  
V = HALAR® COATED (P4 only)

**CENTER SECTION/BLOCK**

A = ALUMINUM (PX4 only)  
L = ACETAL (P4 only)  
N = NICKEL-PLATED (PX4 only)  
P = POLYPROPYLENE (P4 only)  
S = STAINLESS STEEL (PX4 only)

**AIR VALVE**

A = ALUMINUM (PX4 only)  
L = ACETAL (P4 only)  
N = NICKEL-PLATED (PX4 only)  
P = POLYPROPYLENE  
S = STAINLESS STEEL (PX4 only)

**DIAPHRAGMS**

XBS = CONDUCTIVE BUNA-N (Two Red Dots)  
BNS = BUNA-N (Red Dot)  
FSS = SANIFLEX™ [Hytrel® (Cream)]  
EPS = EPDM (Blue Dot)  
NES = NEOPRENE (Green Dot)  
PUS = POLYURETHANE (Clear)  
TEU = PTFE W/EPDM BACK-UP (White)  
TNU = PTFE W/NEOPRENE BACK-UP (White)  
TSU = PTFE W/SANIFLEX™ BACK-UP (White)  
BNU = BUNA-N, ULTRA-FLEX™ (Red Dot)  
EPU = EPDM, ULTRA-FLEX™ (Blue Dot)  
NEU = NEOPRENE, ULTRA-FLEX™ (Green Dot)  
VTU = VITON®, ULTRA-FLEX™ (White Dot)  
VTS = VITON® (White Dot)  
WFS = WIL-FLEX™ [Santoprene® (Orange Dot)]  
TSS = FULL STROKE PTFE W/SANIFLEX™ BACK-UP  
TWS = FULL STROKE PTFE W/WIL-FLEX™ BACK-UP

**VALVE BALL**

BN = BUNA-N (Red Dot)  
FS = SANIFLEX™ [Hytrel® (Cream)]  
EP = EPDM (Blue Dot)  
NE = NEOPRENE (Green Dot)  
PU = POLYURETHANE (Clear)  
TF = PTFE (White)  
VT = VITON® (Silver or White Dot)  
WF = WIL-FLEX™ [Santoprene (Orange Dot)]

**VALVE SEAT**

A = ALUMINUM  
BN = BUNA-N (Red Dot)  
FS = SANIFLEX™ [Hytrel® (Cream)]  
H = ALLOY C  
M = MILD STEEL  
EP = EPDM (Blue Dot)  
NE = NEOPRENE (Green Dot)  
PU = POLYURETHANE (Clear)  
S = STAINLESS STEEL  
VT = VITON® (Silver or White Dot)  
WF = WIL-FLEX™ [Santoprene (Orange Dot)]

**VALVE SEAT O-RING**

TF = PTFE

**SPECIALTY CODES**

- |   |   |  |
|---|---|--|
| 014 BSP                                 | 070 Saniflo FDA                           | 108 BSP, Wil-Gard 220V                 |
| 023 Wing nuts                           | 075 Saniflo FDA, Stallion balls and seats | 118 Stallion balls and seats ONLY, BSP |
| 030 Screen based                        | 079 Tri-clamp fittings, wing nuts         | 120 Saniflo FDA, Wil-Gard 110V         |
| 036 Screen based, BSP                   | 080 Tri-clamp fittings ONLY               | 330 Wing nuts BSP                      |
| 044 Stallion, balls & seats ONLY        | 100 Wil-Gard 110V                         |  |
| 047 Stallion externals, balls and seats | 102 Wil-Gard sensor wires ONLY            |  |
| 067 Saniflo FDA, Wil-Gard 220V          | 103 Wil-Gard 220V                         |  |

NOTE: MOST ELASTOMERIC MATERIALS USE COLORED DOTS FOR IDENTIFICATION.

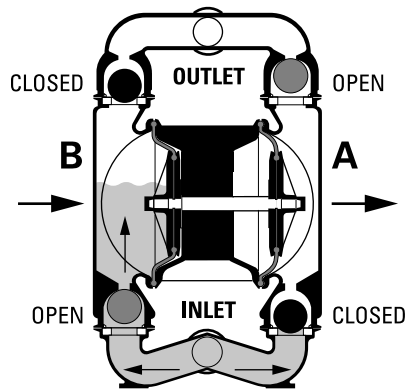
NOTE: Not all models are available with all material options.

Viton® is a registered trademark of DuPont Dow Elastomers.

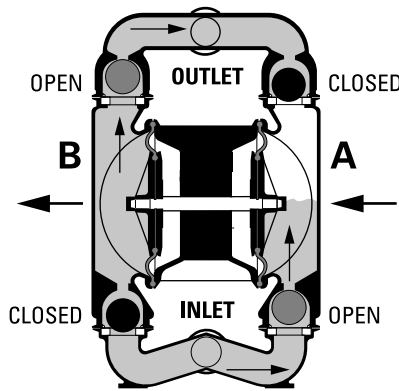
Halar® is a registered trademark of Solvay.

**HOW IT WORKS — PUMP**

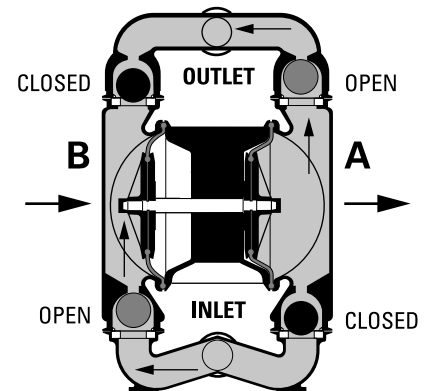
The Wilden diaphragm pump is an air-operated, positive displacement, self-priming pump. These drawings show flow pattern through the pump upon its initial stroke. It is assumed the pump has no fluid in it prior to its initial stroke.



**FIGURE 1** The air valve directs pressurized air to the back side of diaphragm A. The compressed air is applied directly to the liquid column separated by elastomeric diaphragms. The diaphragm acts as a separation membrane between the compressed air and liquid, balancing the load and removing mechanical stress from the diaphragm. The compressed air moves the diaphragm away from the center of the pump. The opposite diaphragm is pulled in by the shaft connected to the pressurized diaphragm. Diaphragm B is on its suction stroke; air behind the diaphragm has been forced out to atmosphere through the exhaust port of the pump. The movement of diaphragm B toward the center of the pump creates a vacuum within chamber B. Atmospheric pressure forces fluid into the inlet manifold forcing the inlet valve ball off its seat. Liquid is free to move past the inlet valve ball and fill the liquid chamber (see shaded area).

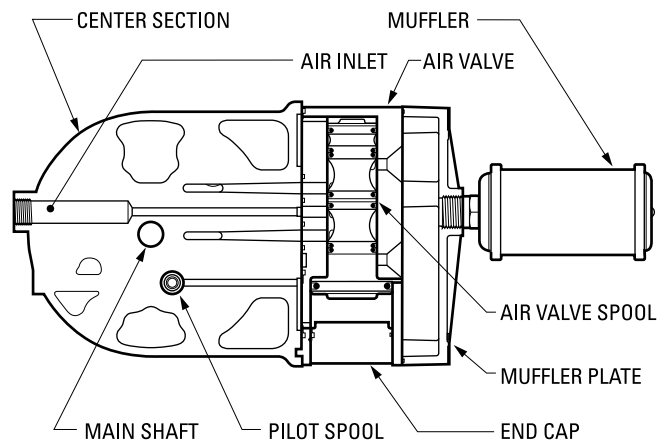


**FIGURE 2** When the pressurized diaphragm, diaphragm A, reaches the limit of its discharge stroke, the air valve redirects pressurized air to the back side of diaphragm B. The pressurized air forces diaphragm B away from the center while pulling diaphragm A to the center. Diaphragm B is now on its discharge stroke. Diaphragm B forces the inlet valve ball onto its seat due to the hydraulic forces developed in the liquid chamber and manifold of the pump. These same hydraulic forces lift the discharge valve ball off its seat, forcing fluid to flow through the pump discharge. The movement of diaphragm A toward the center of the pump creates a vacuum within liquid chamber A. Atmospheric pressure forces fluid into the inlet manifold of the pump. The inlet valve ball is forced off its seat allowing the fluid being pumped to fill the liquid chamber.



**FIGURE 3** At completion of the stroke, the air valve again redirects air to the back side of diaphragm A, which starts diaphragm B on its exhaust stroke. As the pump reaches its original starting point, each diaphragm has gone through one exhaust and one discharge stroke. This constitutes one complete pumping cycle. The pump may take several cycles to completely prime depending on the conditions of the application.

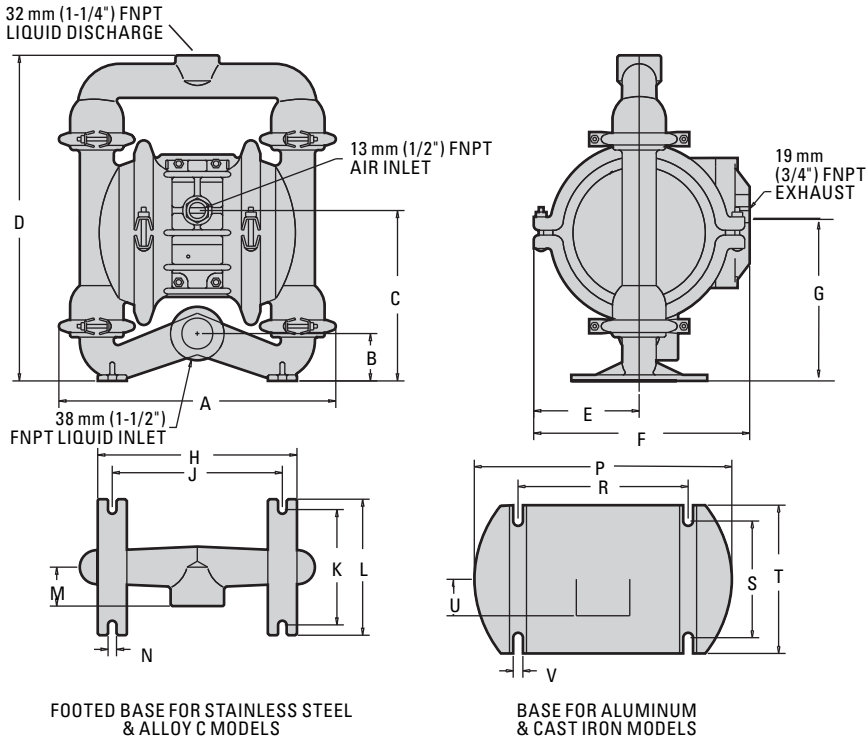
**HOW IT WORKS — AIR DISTRIBUTION SYSTEM**



The Pro-Flo® patented air distribution system incorporates two moving parts: the air valve spool and the pilot spool. The heart of the system is the air valve spool and air valve. This valve design incorporates an unbalanced spool. The smaller end of the spool is pressurized continuously, while the large end is alternately pressurized then exhausted to move the spool. The spool directs pressurized air to one air chamber while exhausting the other. The air causes the main shaft/diaphragm assembly to shift to one side — discharging liquid on that side and pulling liquid in on the other side. When the shaft reaches the end of its stroke, the inner piston actuates the pilot spool, which pressurizes and exhausts the large end of the air valve spool. The repositioning of the air valve spool routes the air to the other air chamber.

**DIMENSIONAL DRAWINGS**

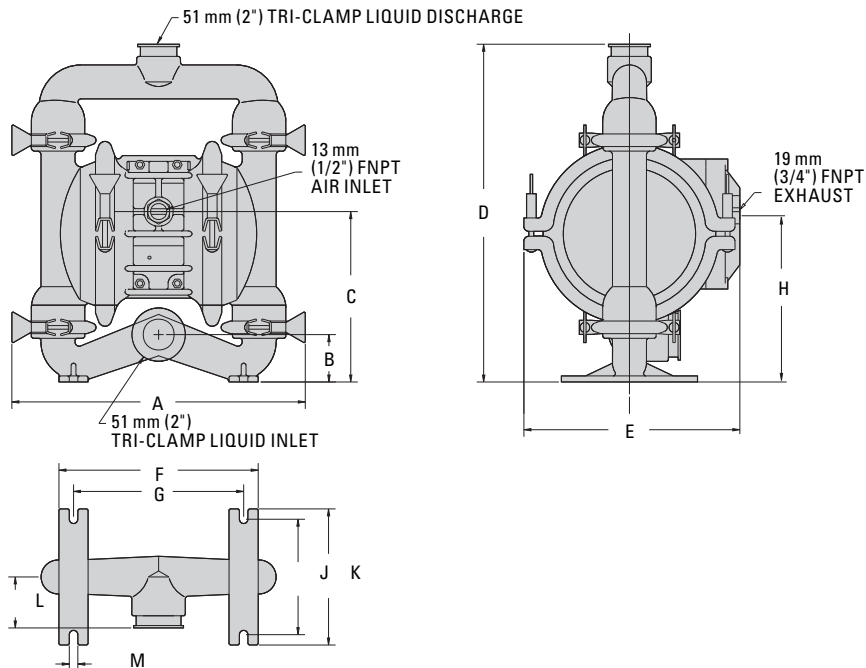
**P4 Metal**



**DIMENSIONS**

ITEM	METRIC (mm)	STANDARD (inch)
A	368	14.5
B	64	2.5
C	206	8.1
D	429	16.9
E	147	5.8
F	308	12.1
G	211	8.3
H	262	10.3
J	224	8.8
K	152	6.0
L	178	7.0
M	51	2.0
N	10	0.4
P	335	13.2
R	224	8.8
S	135	5.3
T	196	7.7
U	48	1.9
V	13	0.5

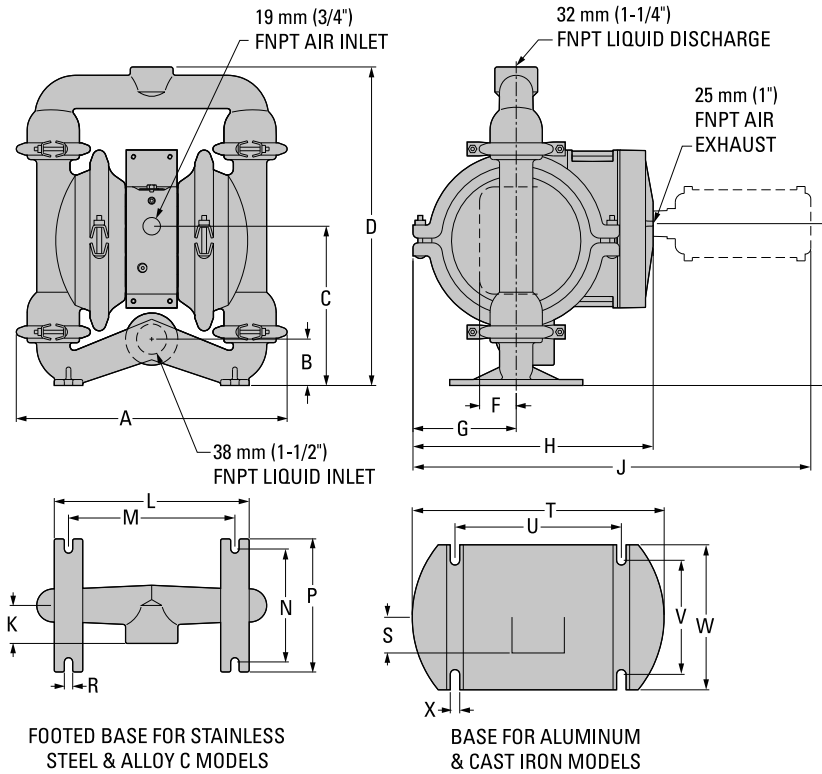
**P4 Metal Saniflo<sup>FDA</sup>**



**DIMENSIONS**

ITEM	METRIC (mm)	STANDARD (inch)
A	389	15.3
B	64	2.5
C	206	8.1
D	442	17.4
E	308	12.1
F	262	10.3
G	224	8.8
H	211	8.3
J	152	6.0
K	178	7.0
L	66	2.6
M	10	0.4

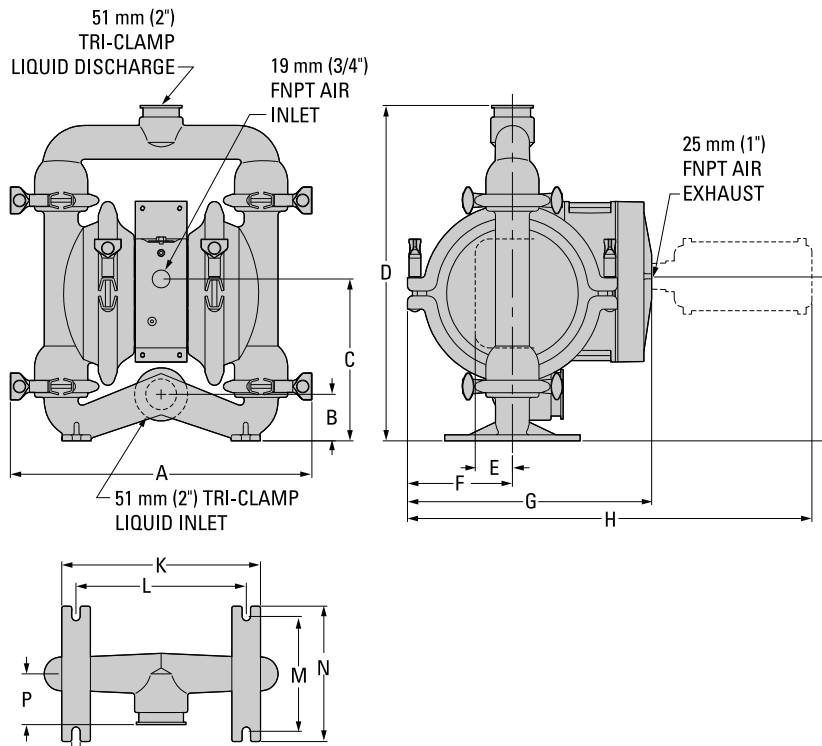
**PX4 Metal**



**DIMENSIONS**

ITEM	METRIC (mm)	STANDARD (inch)
A	368	14.5
B	64	2.5
C	213	8.4
D	429	16.9
E	216	8.5
F	48	1.9
G	147	5.8
H	320	12.6
J	531	20.9
K	51	2.0
L	262	10.3
M	224	8.8
N	150	5.9
P	178	7.0
R	10	0.4
S	48	1.9
T	338	13.3
U	224	8.8
V	155	6.1
W	193	7.6
X	13	0.5

**PX4 Metal Saniflo<sup>FDA</sup>**



**DIMENSIONS**

ITEM	METRIC (mm)	STANDARD (inch)
A	396	15.6
B	64	2.5
C	213	8.4
D	442	17.4
E	48	1.9
F	147	5.8
G	320	12.6
H	531	20.9
J	216	8.5
K	262	10.3
L	208	8.2
M	152	6.0
N	178	7.0
P	69	2.8
R	10	0.4





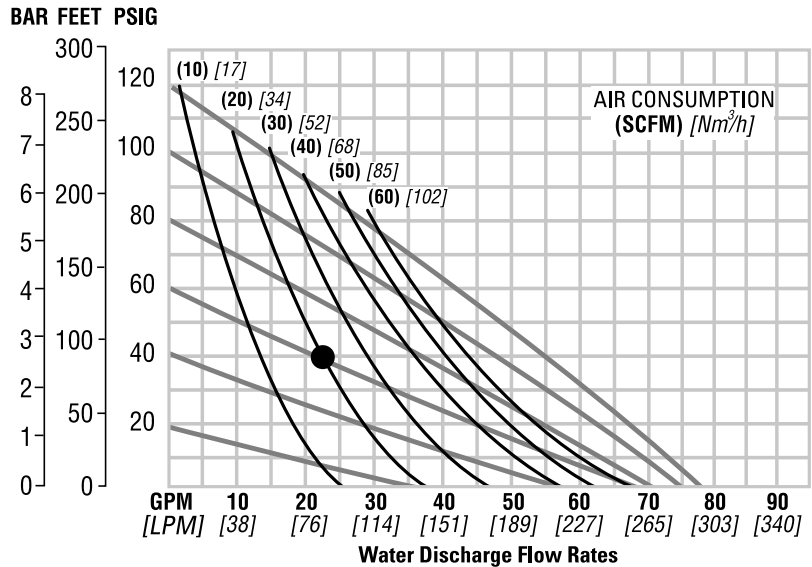
**P4 METAL  
REDUCED STROKE PTFE-FITTED**

Height ..... 429 mm (16.9")  
 Width ..... 368 mm (14.5")  
 Depth ..... 307 mm (12.1")  
 Est. Ship Weight ... Aluminum 13 kg (29 lbs.)  
                                   316 Stainless Steel 20 kg (45 lbs.)  
                                   Cast Iron 22 kg (49 lbs.)  
                                   Alloy C 23 kg (51 lbs.)  
 Air Inlet ..... 19 mm (3/4")  
 Inlet ..... 38 mm (1-1/2")  
 Outlet ..... 32 mm (1-1/4")  
 Suction Lift ..... 3.7 m Dry (12')  
                                   8.5 m Wet (28')  
 Displacement/Stroke ..... 0.53 L (0.14 gal.)<sup>1</sup>  
 Max. Flow Rate ..... 295 lpm (78 gpm)  
 Max. Size Solids ..... 4.8 mm (3/16")

<sup>1</sup>Displacement per stroke was calculated at 4.8 bar (70 psig) air inlet pressure against a 2.1 bar (30 psig) head pressure.

**Example:** To pump 83 lpm (22 gpm) against a discharge pressure head of 2.7 bar (40 psig) requires 4.1 bar (60 psig) and 34 Nm<sup>3</sup>/h (20 scfm) air consumption.

**Caution:** Do not exceed 8.6 bar (125 psig) air supply pressure.



Flow rates indicated on chart were determined by pumping water.

For optimum life and performance, pumps should be specified so that daily operation parameters will fall in the center of the pump performance curve.

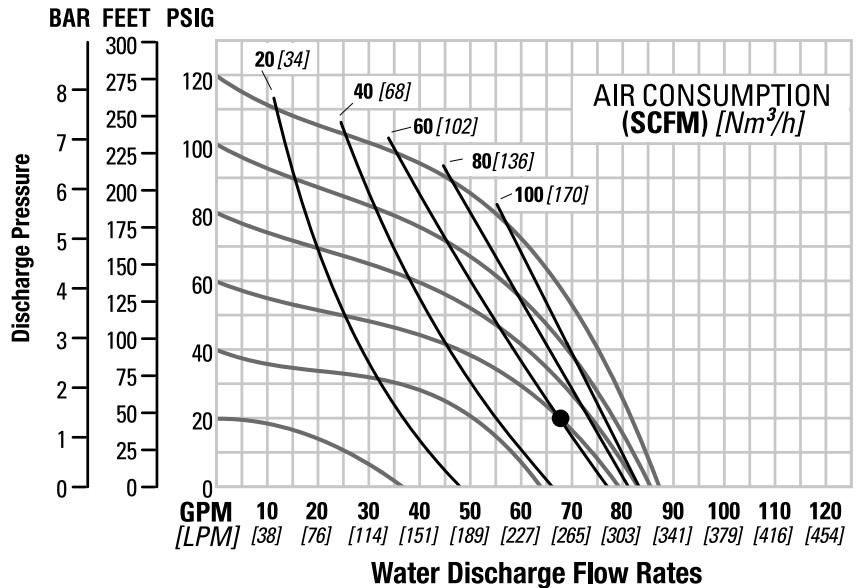
**P4 METAL  
FULL STROKE PTFE-FITTED**

Height ..... 429 mm (16.9")  
 Width ..... 368 mm (14.5")  
 Depth ..... 307 mm (12.1")  
 Ship Weight ..... Aluminum 13 kg (29 lbs.)  
                                   316 Stainless Steel 20kg (45 lbs.)  
                                   Cast Iron 22 kg (49 lbs.)  
                                   Alloy C 23 kg (51 lbs.)  
 Air Inlet ..... 13 mm (1/2")  
 Inlet ..... 38 mm (1-1/2")  
 Outlet ..... 32 mm (1-1/4")  
 Suction Lift ..... 6.4m Dry (21.0')  
                                   9.3 m Wet (30.6')  
 Disp. Per Stroke ..... 1.1 l (.28 gal.)<sup>1</sup>  
 Max. Flow Rate ..... 330 lpm (87.2 gpm)  
 Max. Size Solids ..... 4.8 mm (3/16")

<sup>1</sup>Displacement per stroke was calculated at 4.8 bar (70 psig) air inlet pressure against a 2.1 bar (30 psig) head pressure.

**Example:** To pump 68 GPM against a discharge head of 20 psig requires 60 psig and 60 scfm air consumption.

**Caution:** Do not exceed 8.6 bar (125 psig) air supply pressure.



Flow rates indicated on chart were determined by pumping water.

For optimum life and performance, pumps should be specified so that daily operation parameters will fall in the center of the pump performance curve.

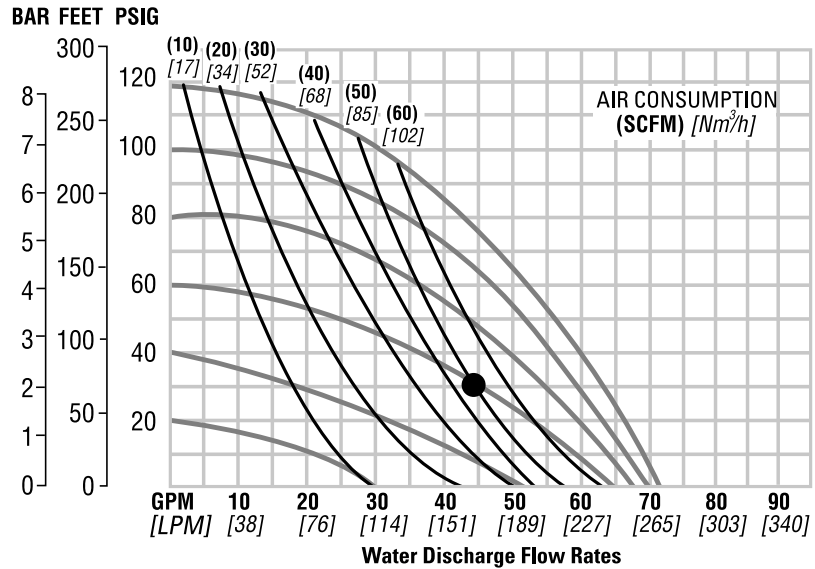
**P4 METAL  
ULTRA-FLEX™-FITTED**

Height ..... 429 mm (16.9")  
 Width ..... 368 mm (14.5")  
 Depth ..... 307 mm (12.1")  
 Est. Ship Weight... Aluminum 13 kg (29 lbs.)  
 316 Stainless Steel 20 kg (45 lbs.)  
 Cast Iron 22 kg (49 lbs.)  
 Alloy C 23 kg (51 lbs.)  
 Air Inlet..... 13 mm (1/2")  
 Inlet..... 38 mm (1-1/2")  
 Outlet..... 32 mm (1-1/4")  
 Suction Lift ..... 5.2 m (17.0' Dry)  
 8.5 m Wet (28.0')  
 Displacement/Stroke.....0.76 L (0.20 gal.)<sup>1</sup>  
 Max. Flow Rate.....269 lpm (71 gpm)  
 Max. Size Solids.....4.8 mm (3/16")

<sup>1</sup>Displacement per stroke was calculated at 4.8 bar (70 psig) air inlet pressure against a 2.1 bar (30 psig) head pressure.

**Example:** To pump 170 lpm (45 gpm) against a discharge pressure head of 2.0 bar (30 psig) requires 4.1 bar (60 psig) and 85 Nm<sup>3</sup>/h (50 scfm) air consumption.

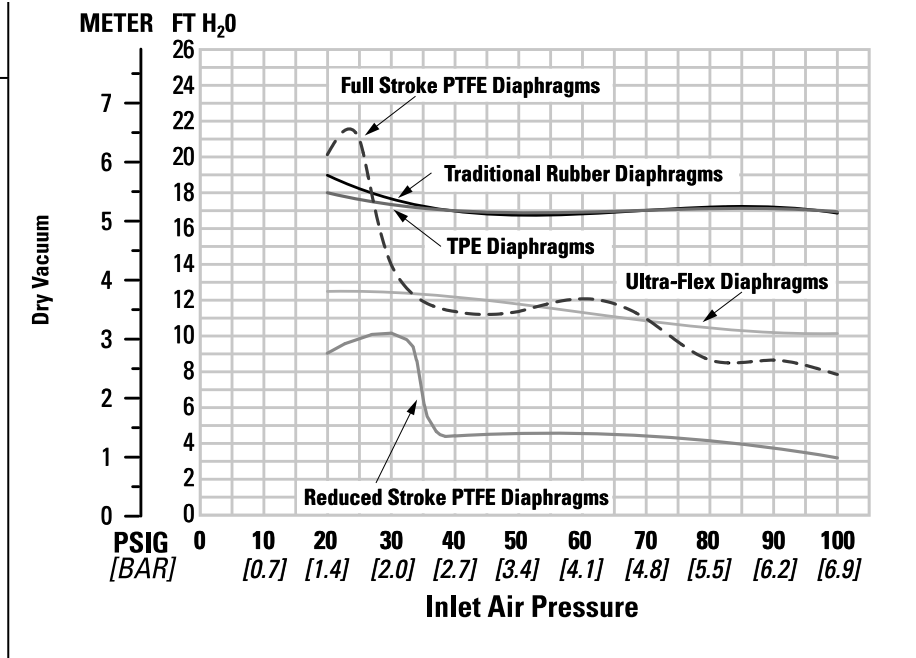
**Caution: Do not exceed 8.6 bar (125 psig) air supply pressure.**



*Flow rates indicated on chart were determined by pumping water.*

*For optimum life and performance, pumps should be specified so that daily operation parameters will fall in the center of the pump performance curve.*

**P4 METAL SUCTION LIFT CAPABILITY**



Suction lift curves are calibrated for pumps operating at 305 m (1,000') above sea level. This chart is meant to be a guide only. There are many variables which can affect your pump's operating characteristics. The

number of intake and discharge elbows, viscosity of pumping fluid, elevation (atmospheric pressure) and pipe friction loss all affect the amount of suction lift your pump will attain.



# PX4

M E T A L

**WILDEN**  
A DOVER COMPANY



## PX4 PERFORMANCE



## Pro-Flo X™ Operating Principal

The Pro-Flo X™ air distribution system with the revolutionary Efficiency Management System (EMS) offers flexibility never before seen in the world of AODD pumps. The patent-pending EMS is simple and easy to use. With the turn of an integrated

control dial, the operator can select the optimal balance of flow and efficiency that best meets the application needs. Pro-Flo X™ provides higher

performance, lower operational costs and flexibility that exceeds previous industry standards.



<p>Turning the dial changes the relationship between air inlet and exhaust porting.</p>	<p>Each dial setting represents an entirely different flow curve</p>	<p>Pro-Flo X™ pumps are shipped from the factory on setting 4, which is the highest flow rate setting possible</p>	<p>Moving the dial from setting 4 causes a decrease in flow and an even greater decrease in air consumption.</p>	<p>When the air consumption decreases more than the flow rate, efficiency is improved and operating costs are reduced.</p>

## Example 1

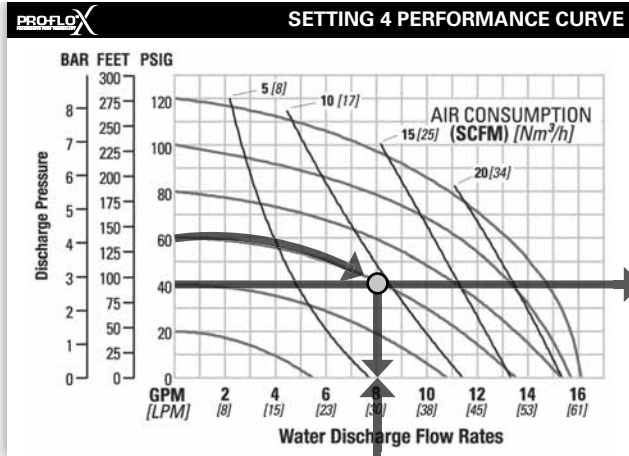


Figure 1

Example data point = **8.2** GPM

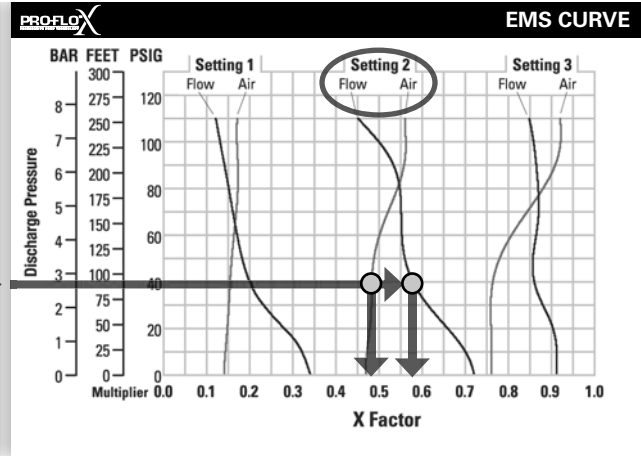


Figure 2

Example data point = **0.58** flow multiplier  
**0.48** air multiplier

This is an example showing how to determine flow rate and air consumption for your Pro-Flo X™ pump using the Efficiency Management System (EMS) curve and the performance curve. For this example we will be using 4.1 bar (60 psig) inlet air pressure and 2.8 bar (40 psig) discharge pressure and EMS setting 2.

**Step 1: Identifying performance at setting 4.** Locate the curve that represents the flow rate of the pump with 4.1 bar (60 psig) air inlet pressure. Mark the point where this curve crosses the horizontal line representing 2.8 bar (40 psig) discharge pressure. (Figure 1). After locating your performance point on the flow curve, draw a vertical line downward until reaching the bottom scale on the chart. Identify the flow rate (in this case, 8.2 gpm). Observe location of performance point relative to air consumption curves and approximate air consumption value (in this case, 9.8 scfm).

**Step 2: Determining flow and air X Factors.** Locate your discharge pressure (40 psig) on the vertical axis of the EMS curve (Figure 2). Follow along the 2.8 bar (40 psig) horizontal line until intersecting both flow and air curves for your desired EMS setting (in this case, setting 2). Mark the points where the EMS curves intersect the horizontal discharge pressure line. After locating your EMS points on the EMS

curve, draw vertical lines downward until reaching the bottom scale on the chart. This identifies the flow X Factor (in this case, 0.58) and air X Factor (in this case, 0.48).

**Step 3: Calculating performance for specific EMS setting.** Multiply the flow rate (8.2 gpm) obtained in Step 1 by the flow X Factor multiplier (0.58) in Step 2 to determine the flow rate at EMS setting 2. Multiply the air consumption (9.8 scfm) obtained in Step 1 by the air X Factor multiplier (0.48) in Step 2 to determine the air consumption at EMS setting 2 (Figure 3).

<b>8.2</b> gpm	(flow rate for Setting 4)
<b>.58</b>	(Flow X Factor setting 2)
<hr/>	
<b>4.8</b> gpm	(Flow rate for setting 2)
<b>9.8</b> scfm	(air consumption for setting 4)
<b>.48</b>	(Air X Factor setting 2)
<hr/>	
<b>4.7</b> scfm	(air consumption for setting 2)

Figure 3

The flow rate and air consumption at Setting 2 are found to be 18.2 lpm (4.8 gpm) and 7.9 Nm<sup>3</sup>/h (4.7 scfm) respectively.

## Example 2.1

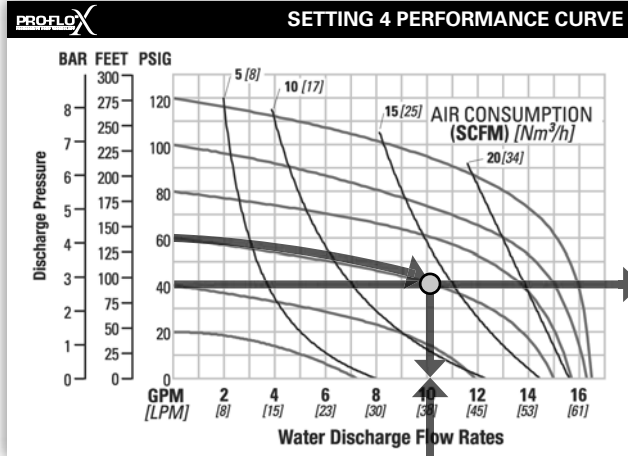


Figure 4

Example data point = **10.2** gpm

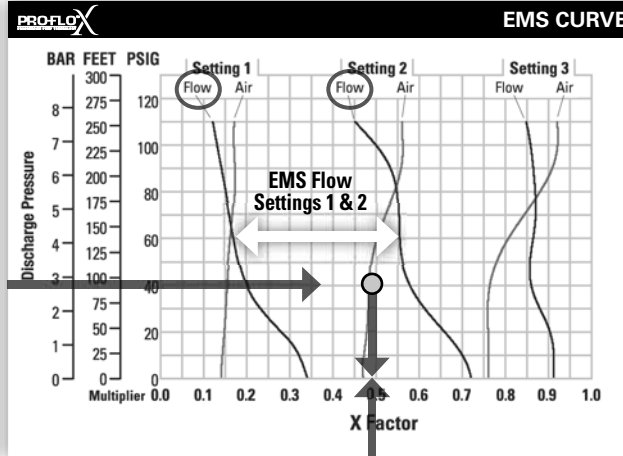


Figure 5

**0.49** flow multiplier

This is an example showing how to determine the inlet air pressure and the EMS setting for your Pro-Flo X™ pump to optimize the pump for a specific application. For this example we will be using an application requirement of 18.9 lpm (5 gpm) flow rate against 2.8 bar (40 psig) discharge pressure. This example will illustrate how to calculate the air consumption that could be expected at this operational point.

### DETERMINE EMS SETTING

**Step 1: Establish inlet air pressure.** Higher air pressures will typically allow the pump to run more efficiently, however, available plant air pressure can vary greatly. If an operating pressure of 6.9 bar (100 psig) is chosen when plant air frequently dips to 6.2 bar (90 psig) pump performance will vary. Choose an operating pressure that is within your compressed air systems capabilities. For this example we will choose 4.1 bar (60 psig).

**Step 2: Determine performance point at setting 4.** For this example an inlet air pressure of 4.1 bar (60 psig) inlet air pressure has been chosen. Locate the curve that represents the performance of the pump with 4.1 bar (60 psig) inlet air pressure. Mark the point where this curve crosses the horizontal line representing 2.8 bar (40 psig) discharge pressure. After locating this point on the flow curve, draw a vertical line downward until reaching the bottom scale on the chart and identify the flow rate.

In our example it is 38.6 lpm (10.2 gpm). This is the setting 4 flow rate. Observe the location of the performance point relative to air consumption curves and approximate air consumption value. In our example setting 4 air consumption is 24 Nm<sup>3</sup>/h (14 scfm). See figure 4.

**Step 3: Determine flow X Factor.** Divide the required flow rate 18.9 lpm (5 gpm) by the setting 4 flow rate 38.6 lpm (10.2 gpm) to determine the flow X Factor for the application.

$$5 \text{ gpm} / 10.2 \text{ gpm} = 0.49 \text{ (flow X Factor)}$$

**Step 4: Determine EMS setting from the flow X Factor.** Plot the point representing the flow X Factor (0.49) and the application discharge pressure 2.8 bar (40 psig) on the EMS curve. This is done by following the horizontal 2.8 bar (40 psig) psig discharge pressure line until it crosses the vertical 0.49 X Factor line. Typically, this point lies between two flow EMS setting curves (in this case, the point lies between the flow curves for EMS setting 1 and 2). Observe the location of the point relative to the two curves it lies between and approximate the EMS setting (figure 5). For more precise results you can mathematically interpolate between the two curves to determine the optimal EMS setting.

For this example the EMS setting is 1.8.



## Example 2.2

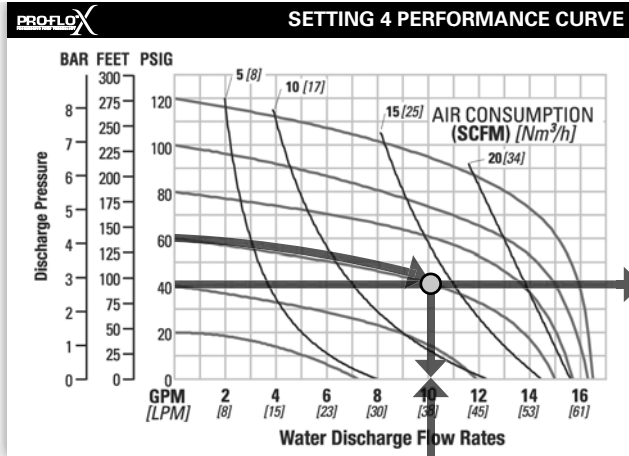


Figure 6

Example data point = **10.2** gpm

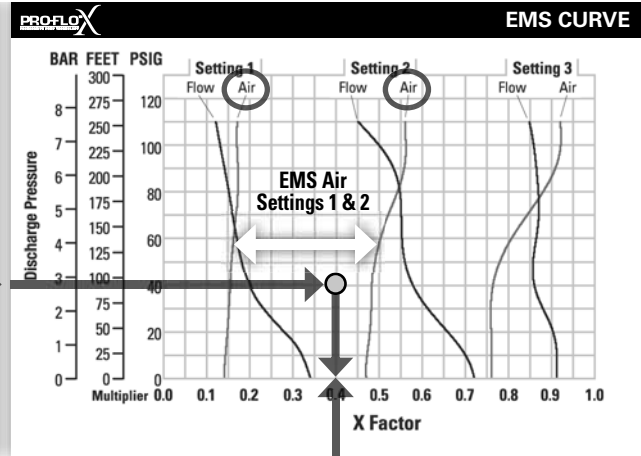


Figure 7

Example data point = **0.40** air multiplier

### Determine air consumption at a specific EMS setting.

**Step 1: Determine air X Factor.** In order to determine the air X Factor, identify the two air EMS setting curves closest to the EMS setting established in example 2.1 (in this case, the point lies between the air curves for EMS setting 1 and 2). The point representing your EMS setting (1.8) must be approximated and plotted on the EMS curve along the horizontal line representing your discharge pressure (in this case, 40 psig). This air point is different than the flow point plotted in example 2.1. After estimating (or interpolating) this point on the curve, draw a vertical line downward until reaching the bottom scale on the chart and identify the air X Factor (figure 7).

For this example the air X Factor is **0.40**

**Step 2: Determine air consumption.** Multiply your setting 4 air consumption (14 scfm) value by the air X Factor obtained above (0.40) to determine your actual air consumption.

$$14 \text{ scfm} \times 0.40 = 5.6 \text{ SCFM}$$

In summary, for an application requiring 18.9 lpm (5 gpm) against 2.8 bar (40 psig) discharge pressure, the pump inlet air pressure should be set to 4.1 bar (60 psig) and the EMS dial should be set to 1.8. The pump would then consume 9.5 Nm<sup>3</sup>/h (5.6 scfm) of compressed air.

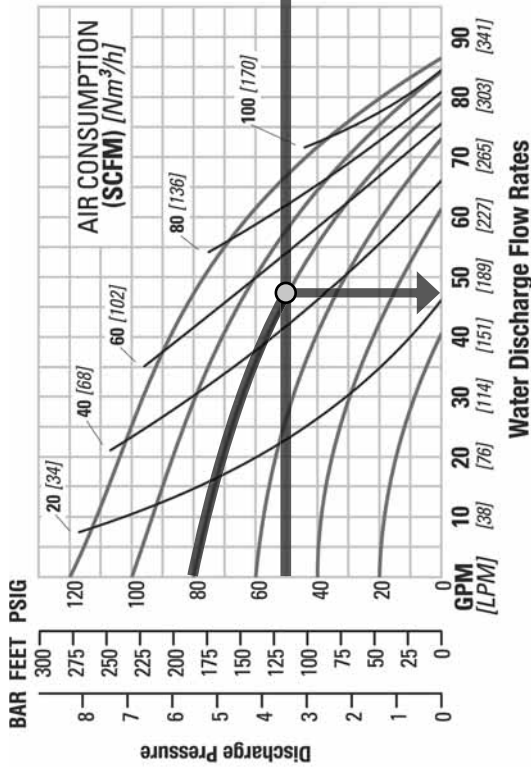
# PX4 METAL – RUBBER-FITTED



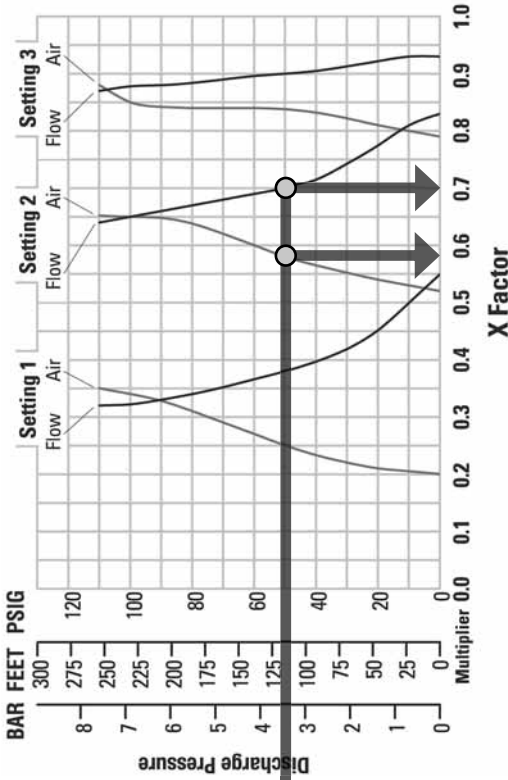
## PERFORMANCE



### SETTING 4 PERFORMANCE CURVE



### EMS CURVE



### TECHNICAL DATA

Height	.....429 mm (16.9")
Width	.....368 mm (14.5")
Depth	.....320 mm (12.6")
Ship Weight	..... Aluminum 21 kg (46 lbs.)
	..... 316 Stainless Steel 28 kg (62 lbs.)
Air Inlet	..... Cast Iron 30 kg (66 lbs.)
Inlet	..... 19 mm (3/4")
Outlet	..... 38 mm (1-1/2")
Suction Lift	..... 32 mm (1-1/4")
	..... 6.9 m Dry (22.7')
	..... 9.3 m Wet (30.6')
Disp. Per Stroke	..... 1.02 l (0.27 gal.) <sup>1</sup>
Max. Flow Rate	..... 327 lpm (87 gpm)
Max. Size Solids	..... 4.8 mm (3/16")

<sup>1</sup>Displacement per stroke was calculated at 4.8 bar (70 psig) air inlet pressure against a 2 bar (30 psig) head pressure.

The Efficiency Management System (EMS) can be used to optimize the performance of your Wilden pump for specific applications. The pump is delivered with the EMS adjusted to setting 4, which allows maximum flow.

The EMS curve allows the pump user to determine flow and air consumption at each EMS setting. For any EMS setting and discharge pressure, the "X factor" is used as a multiplier with the original values from the setting 4 performance curve to calculate the actual flow and air consumption values for that specific EMS setting. Note: you can interpolate between the setting curves for operation at intermediate EMS settings.

*The Efficiency Management System (EMS) can be used to optimize the performance of your Wilden pump for specific applications. The pump is delivered with the EMS adjusted to setting 4, which allows maximum flow.*

### EXAMPLE

A PX4 metal, Rubber-fitted pump operating at EMS setting 4, achieved a flow rate of 178 lpm (47 gpm) using 82 Nm<sup>3</sup>/h (48 scfm) of air when run at 5.5 bar (80 psig) air inlet pressure and 3.4 bar (50 psig) discharge pressure (See dot on performance curve).

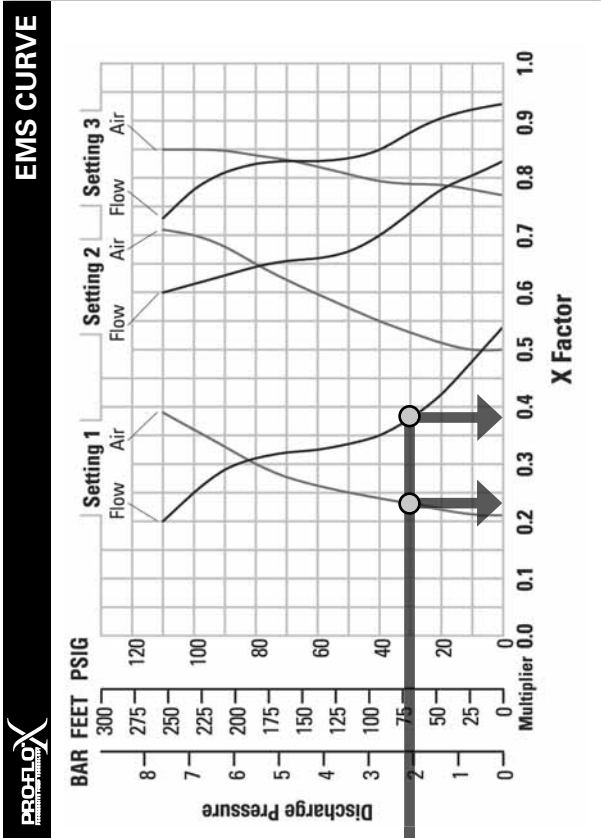
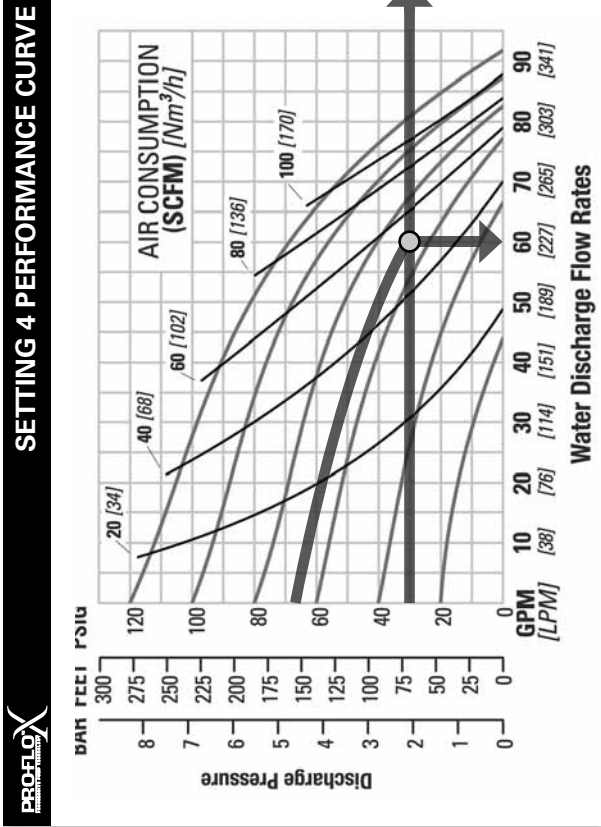
The end user did not require that much flow and wanted to reduce air consumption at his facility. He determined that EMS setting 2 would meet his needs. At 3.4 bar (50 psig) discharge pressure and EMS setting 2, the flow "X factor" is 0.70 and the air "X factor" is 0.58 (see dots on EMS curve).

Multiplying the original setting 4 values by the "X factors" provides the setting 2 flow rate of 125 lpm (33 gpm) and an air consumption of 47 Nm<sup>3</sup>/h (28 scfm). The flow rate was reduced by 30% while the air consumption was reduced by 42%, thus providing increased efficiency.

**For a detailed example for how to set your EMS, see beginning of performance curve section.**

**Caution: Do not exceed 8.6 bar (125 psig) air supply pressure.**

# PX4 METAL – TPE-FITTED



## TECHNICAL DATA

Height	.....	.429 mm (16.9")
Width	.....	.368 mm (14.5")
Depth	.....	.320 mm (12.6")
Ship Weight	.....	Aluminum 21 kg (46 lbs.)
	.....	316 Stainless Steel 28 kg (62 lbs.)
Air Inlet	.....	Cast Iron 30 kg (66 lbs.)
Inlet	.....	19 mm (3/4")
Outlet	.....	.38 mm (1-1/2")
Suction Lift	.....	.32 mm (1-1/4")
	.....	6.0 m Dry (19.7')
	.....	9.3 m Wet (30.6')
Disp. Per Stroke	.....	1.10 l (0.29 gal.) <sup>1</sup>
Max. Flow Rate	.....	.347 lpm (92 gpm)
Max. Size Solids	.....	.4.8 mm (3/16")

<sup>1</sup>Displacement per stroke was calculated at 4.8 bar (70 psig) air inlet pressure against a 2 bar (30 psig) head pressure.

The Efficiency Management System (EMS) can be used to optimize the performance of your Wilden pump for specific applications. The pump is delivered with the EMS adjusted to setting 4, which allows maximum flow.

The EMS curve allows the pump user to determine flow and air consumption at each EMS setting. For any EMS setting and discharge pressure, the "X factor" is used as a multiplier with the original values from the setting 4 performance curve to calculate the actual flow and air consumption values for that specific EMS setting. Note: you can interpolate between the setting curves for operation at intermediate EMS settings.

*The Efficiency Management System (EMS) can be used to optimize the performance of your Wilden pump for specific applications. The pump is delivered with the EMS adjusted to setting 4, which allows maximum flow.*

## EXAMPLE

A PX4 metal, TPE-fitted pump operating at EMS setting 4, achieved a flow rate of 227 lpm (60 gpm) using 90 Nm<sup>3</sup>/h (53 scfm) of air when run at 4.6 bar (67 psig) air inlet pressure and 2.1 bar (30 psig) discharge pressure (See dot on performance curve).

The end user did not require that much flow and wanted to reduce air consumption at his facility. He determined that EMS setting 1 would meet his needs. At 2.1 bar (30 psig) discharge pressure and EMS setting 1, the flow "X factor" is 0.38 and the air "X factor" is 0.23 (see dots on EMS curve).

Multiplying the original setting 4 values by the "X factors" provides the setting 1 flow rate of 86 lpm (23 gpm) and an air consumption of 21 Nm<sup>3</sup>/h (12 scfm). The flow rate was reduced by 62% while the air consumption was reduced by 77%, thus providing increased efficiency.

**For a detailed example for how to set your EMS, see beginning of performance curve section.**

**Caution: Do not exceed 8.6 bar (125 psig) air supply pressure.**

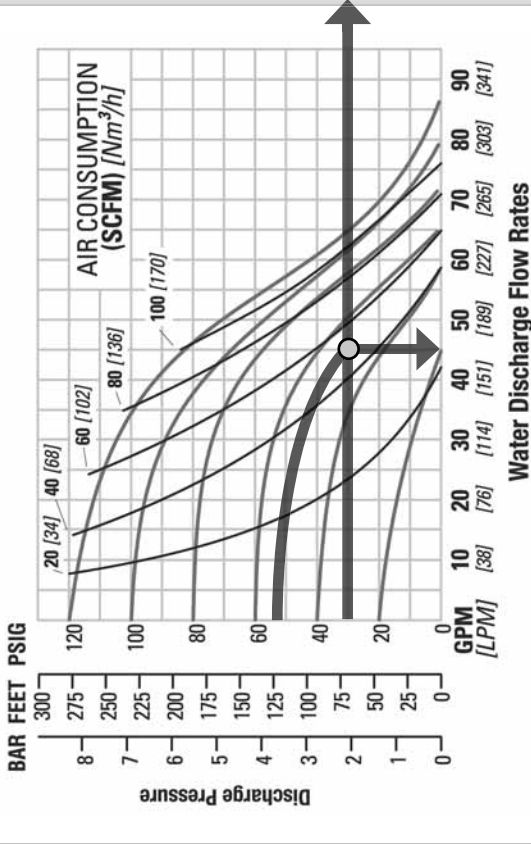
# PX4 METAL – REDUCED STROKE PTFE-FITTED



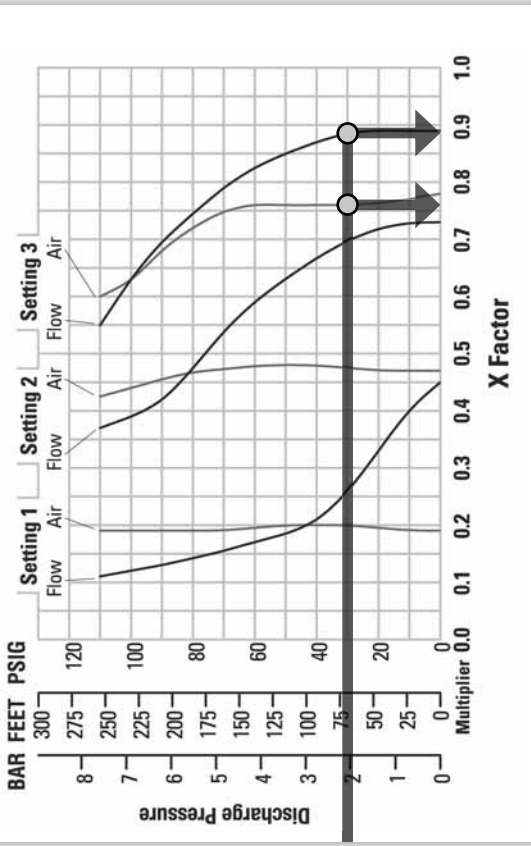
## PERFORMANCE



### SETTING 4 PERFORMANCE CURVE



### EMS CURVE



### TECHNICAL DATA

Height	..... 429 mm (16.9")
Width	..... 368 mm (14.5")
Depth	..... 320 mm (12.6")
Ship Weight	..... Aluminum 21 kg (46 lbs.)
	..... 316 Stainless Steel 28 kg (62 lbs.)
Air Inlet	..... Cast Iron 30 kg (66 lbs.)
Inlet	..... 19 mm (3/4")
Outlet	..... 38 mm (1-1/2")
Suction Lift	..... 32 mm (1-1/4")
	..... 4.0 m Dry (13.1')
	..... 9.2 m Wet (30.1')
Disp. Per Stroke	..... 0.53 l (0.14 gal.) <sup>1</sup>
Max. Flow Rate	..... 327 lpm (87 gpm)
Max. Size Solids	..... 4.8 mm (3/16")

<sup>1</sup>Displacement per stroke was calculated at 4.8 bar (70 psig) air inlet pressure against a 2 bar (30 psig) head pressure.

The Efficiency Management System (EMS) can be used to optimize the performance of your Wilden pump for specific applications. The pump is delivered with the EMS adjusted to setting 4, which allows maximum flow.

The Efficiency Management System (EMS) can be used to optimize the performance of your Wilden pump for specific applications. The pump is delivered with the EMS adjusted to setting 4, which allows maximum flow.

The EMS curve allows the pump user to determine flow and air consumption at each EMS setting. For any EMS setting and discharge pressure, the "X factor" is used as a multiplier with the original values from the setting 4 performance curve to calculate the actual flow and air consumption values for that specific EMS setting. Note: you can interpolate between the setting curves for operation at intermediate EMS settings.

### EXAMPLE

A PX4 metal, PTFE-fitted pump operating at EMS setting 4, achieved a flow rate of 170 lpm (45 gpm) using 85 Nm<sup>3</sup>/h (50 scfm) of air when run at 3.6 bar (52 psig) air inlet pressure and 2.1 bar (30 psig) discharge pressure (See dot on performance curve).

The end user did not require that much flow and wanted to reduce air consumption at his facility. He determined that EMS setting 3 would meet his needs. At 2.1 bar (30 psig) discharge pressure and EMS setting 3, the flow "X factor" is 0.88 and the air "X factor" is 0.76 (see dots on EMS curve).

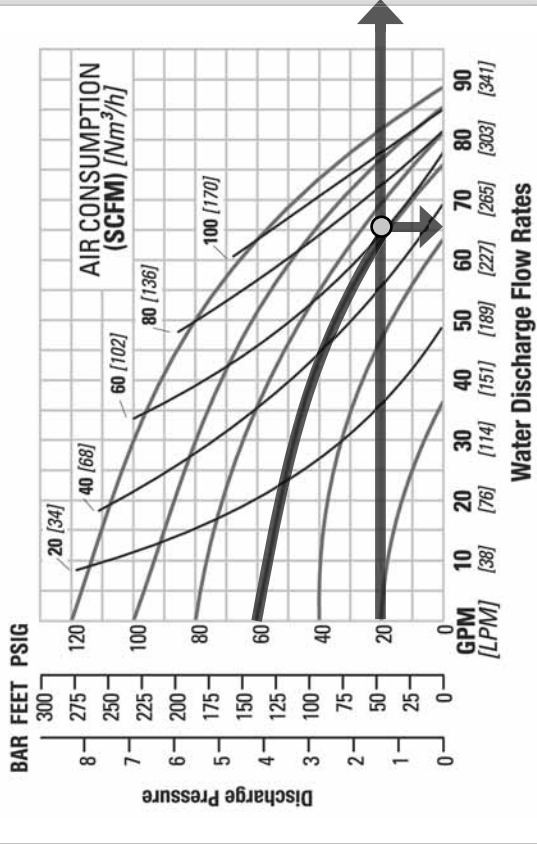
Multiplying the original setting 4 values by the "X factors" provides the setting 3 flow rate of 150 lpm (40 gpm) and an air consumption of 65 Nm<sup>3</sup>/h (38 scfm). The flow rate was reduced by 12% while the air consumption was reduced by 24%, thus providing increased efficiency.

**For a detailed example for how to set your EMS, see beginning of performance curve section.**

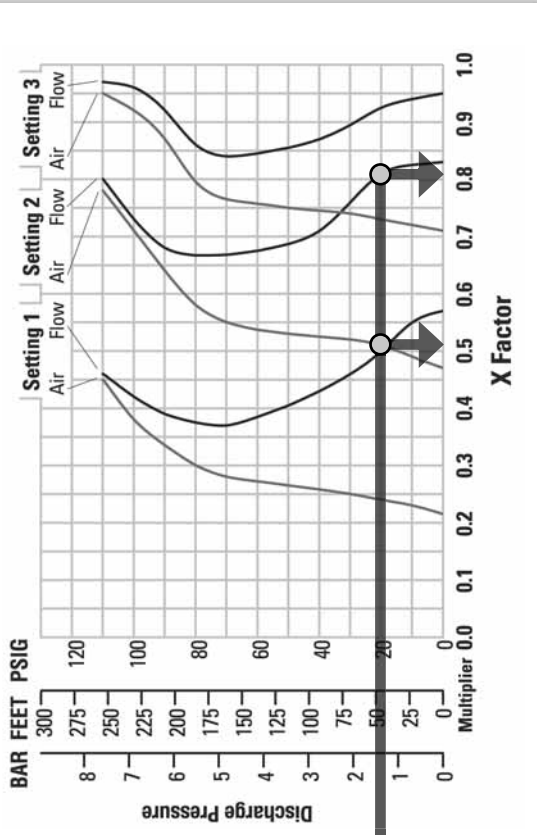
**Caution: Do not exceed 8.6 bar (125 psig) air supply pressure.**

**PX4 METAL FULL STROKE PTFE-FITTED**

**SETTING 4 PERFORMANCE CURVE**



**EMS CURVE**



**TECHNICAL DATA**

Height.....	429 mm (16.9")
Width.....	368 mm (14.5")
Depth.....	320 mm (12.6")
Ship Weight.....	Aluminum 21 kg (46 lbs.)
	316 Stainless Steel 28kg (62 lbs.)
Air Inlet.....	Cast Iron 30 kg (66 lbs.)
Inlet.....	19 mm (3/4")
Outlet.....	38 mm (1-1/2")
Suction Lift.....	32 mm (1-1/4")
	6.7m Dry (22.1')
	9.3 m Wet (30.6')
Disp. Per Stroke.....	1.0 l (.26 gal.) <sup>1</sup>
Max. Flow Rate.....	336 lpm (88.7 gpm)
Max. Size Solids.....	4.8 mm (3/16")

<sup>1</sup>Displacement per stroke was calculated at 4.8 bar (70 psig) air inlet pressure against a 2.1 bar (30 psig) head pressure.

The Efficiency Management System (EMS) can be used to optimize the performance of your Wilden pump for specific applications. The pump is delivered with the EMS adjusted to setting 4, which allows maximum flow.

The EMS curve allows the pump user to determine flow and air consumption at each EMS setting. For any EMS setting and discharge pressure, the "X factor" is used as a multiplier with the original values from the setting 4 performance curve to calculate the actual flow and air consumption values for that specific EMS setting. Note: you can interpolate between the setting curves for operation at intermediate EMS settings.

*The Efficiency Management System (EMS) can be used to optimize the performance of your Wilden pump for specific applications. The pump is delivered with the EMS adjusted to setting 4, which allows maximum flow.*

**EXAMPLE**

A PX4 metal, Full Flow PTFE fitted pump operating at EMS setting 4, achieved a flow rate of 257 lpm (66 gpm) using 102 Nm<sup>3</sup>/h (60 scfm) of air when run at 4.1 bar (60 psig) air inlet pressure and 1.4 bar (20 psig) discharge pressure (See dot on performance curve).

The end user did not require that much flow and wanted to reduce air consumption at his facility. He determined that EMS setting 2 would meet his needs. At 1.4 bar (20 psig) discharge pressure and EMS setting 2, the flow "X factor" is 0.88 and the air "X factor" is 0.49 (see dots on EMS curve).

Multiplying the original setting 4 values by the "X factors" provides the setting 2 flow rate of 211 lpm (56 gpm) and an air consumption of 50 Nm<sup>3</sup>/h (29 scfm). The flow rate was reduced by 18% while the air consumption was reduced by 51%, thus providing increased efficiency.

**For a detailed example for how to set your EMS, see beginning of performance curve section.**

**Caution: Do not exceed 8.6 bar (125 psig) air supply pressure.**

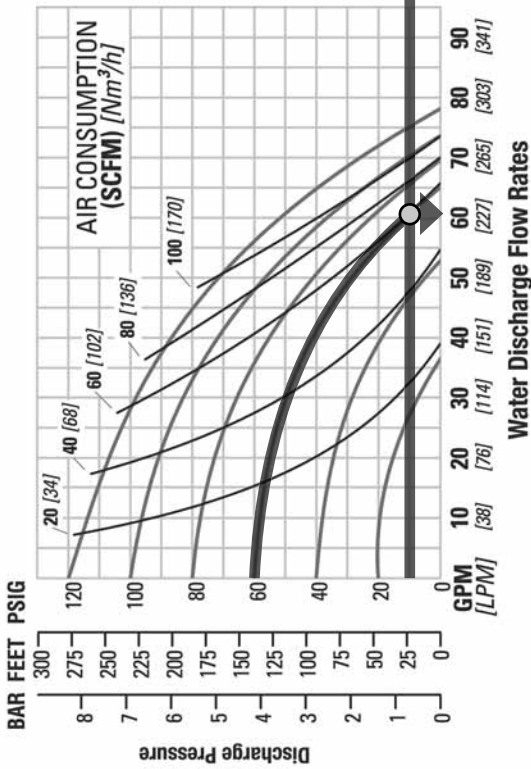
# PX4 METAL – ULTRA-FLEX™



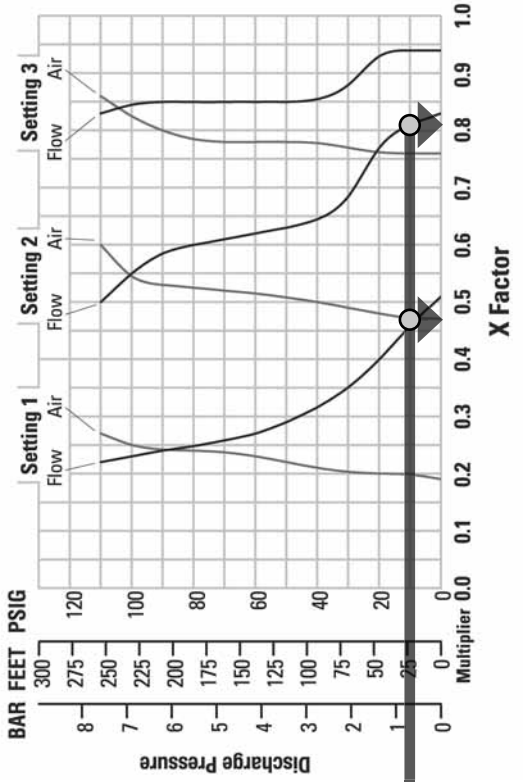
## PERFORMANCE



### SETTING 4 PERFORMANCE CURVE



### EMS CURVE



### TECHNICAL DATA

Height	.....429 mm (16.9")
Width	.....368 mm (14.5")
Depth	.....320 mm (12.6")
Ship Weight	.....Aluminum 21 kg (46 lbs.)
	.....316 Stainless Steel 28 kg (62 lbs.)
Air Inlet	.....Cast Iron 30 kg (66 lbs.)
Inlet	.....19 mm (3/4")
Outlet	.....38 mm (1-1/2")
Suction Lift	.....32 mm (1-1/4")
	.....6.2 m Dry (20.4')
	.....9.3 m Wet (30.6')
Disp. Per Stroke	.....0.76 l (0.20 gal.)
Max. Flow Rate	.....295 lpm (78 gpm)
Max. Size Solids	.....4.8 mm (3/16")

<sup>1</sup>Displacement per stroke was calculated at 4.8 bar (70 psig) air inlet pressure against a 2 bar (30 psig) head pressure.

The Efficiency Management System (EMS) can be used to optimize the performance of your Wilden pump for specific applications. The pump is delivered with the EMS adjusted to setting 4, which allows maximum flow.

The Efficiency Management System (EMS) can be used to optimize the performance of your Wilden pump for specific applications. The pump is delivered with the EMS adjusted to setting 4, which allows maximum flow.

The EMS curve allows the pump user to determine flow and air consumption at each EMS setting. For any EMS setting and discharge pressure, the "X factor" is used as a multiplier with the original values from the setting 4 performance curve to calculate the actual flow and air consumption values for that specific EMS setting. Note: you can interpolate between the setting curves for operation at intermediate EMS settings.

### EXAMPLE

A PX4 metal, Ultra-Flex-fitted pump operating at EMS setting 4, achieved a flow rate of 231 lpm (61 gpm) using 102 Nm<sup>3</sup>/h (60 scfm) of air when run at 4.1 bar (60 psig) air inlet pressure and 0.7 bar (10 psig) discharge pressure (See dot on performance curve).

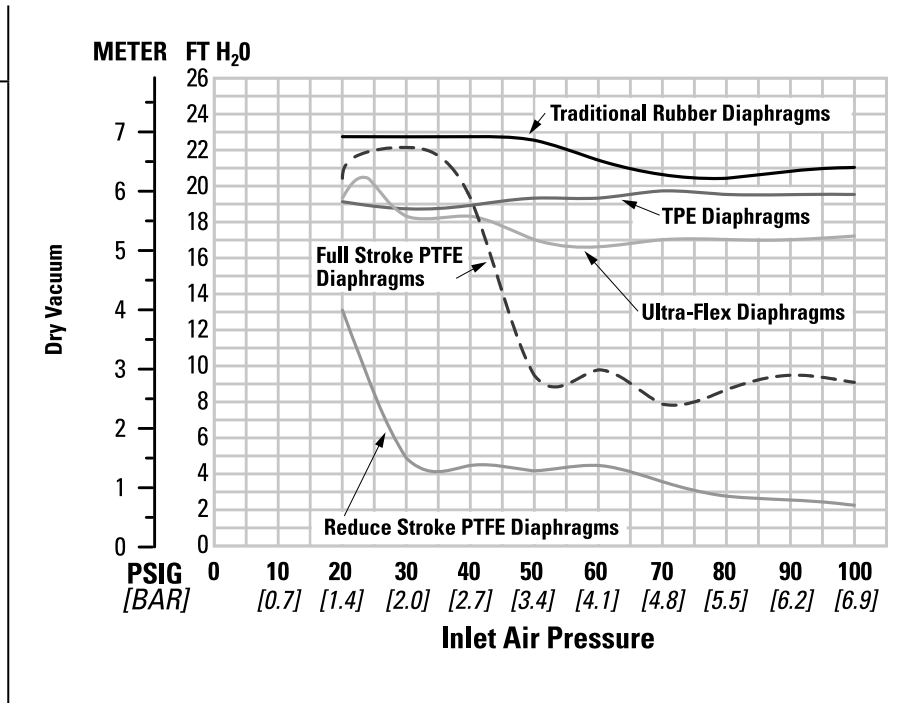
The end user did not require that much flow and wanted to reduce air consumption at his facility. He determined that EMS setting 2 would meet his needs. At 0.7 bar (10 psig) discharge pressure and EMS setting 2, the flow "X factor" is 0.81 and the air "X factor" is 0.47 (see dots on EMS curve).

Multiplying the original setting 4 values by the "X factors" provides the setting 2 flow rate of 187 lpm (49 gpm) and an air consumption of 48 Nm<sup>3</sup>/h (28 scfm). The flow rate was reduced by 19% while the air consumption was reduced by 53%, thus providing increased efficiency.

**For a detailed example for how to set your EMS, see beginning of performance curve section.**

**Caution: Do not exceed 8.6 bar (125 psig) air supply pressure.**

**PX4 METAL SUCTION LIFT CAPABILITY**



Suction lift curves are calibrated for pumps operating at 305 m (1,000') above sea level. This chart is meant to be a guide only. There are many variables which can affect your pump's operating characteristics. The

number of intake and discharge elbows, viscosity of pumping fluid, elevation (atmospheric pressure) and pipe friction loss all affect the amount of suction lift your pump will attain.

THE RULES HAVE CHANGED.

X

Take control of your process today with

**PROFLO™**  
PROGRESSIVE PUMP TECHNOLOGY X

**WILDEN®**  
A DOVER COMPANY

22069 Van Buren St. • Grand Terrace, CA 92313-5651  
Tel 909-422-1730 • Fax 909-783-3440 • [www.wildenx.com](http://www.wildenx.com)



**SUGGESTED INSTALLATION**

Wilden pumps are designed to meet the performance requirements of even the most demanding pumping applications. They have been designed and manufactured to the highest standards and are available in a variety of liquid path materials to meet your chemical resistance needs. Refer to the performance section of this manual for an in-depth analysis of the performance characteristics of your pump. Wilden offers the widest variety of elastomer options in the industry to satisfy temperature, chemical compatibility, abrasion resistance and flex concerns.

The suction pipe size should be at least the equivalent or larger than the diameter size of the suction inlet on your Wilden pump. The suction hose must be non-collapsible, reinforced type as these pumps are capable of pulling a high vacuum. Discharge piping should also be the equivalent or larger than the diameter of the pump discharge which will help reduce friction losses. It is critical that all fittings and connections are airtight or a reduction or loss of pump suction capability will result.

**INSTALLATION:** Months of careful planning, study, and selection efforts can result in unsatisfactory pump performance if installation details are left to chance.

Premature failure and long term dissatisfaction can be avoided if reasonable care is exercised throughout the installation process.

**LOCATION:** Noise, safety, and other logistical factors usually dictate where equipment will be situated on the production floor. Multiple installations with conflicting requirements can result in congestion of utility areas, leaving few choices for additional pumps.

Within the framework of these and other existing conditions, every pump should be located in such a way that six key factors are balanced against each other to maximum advantage.

**ACCESS:** First of all, the location should be accessible. If it's easy to reach the pump, maintenance personnel will have an easier time carrying out routine inspections and adjustments. Should major repairs become necessary, ease of access can play a key role in speeding the repair process and reducing total downtime.

**AIR SUPPLY:** Every pump location should have an air line large enough to supply the volume of air necessary to achieve the desired pumping rate. Use air pressure up to a maximum of 8.6 bar (125 psig) depending on pumping requirements.

For best results, the pumps should use a 5 $\mu$  (micron) air filter, and regulator. The use of an air filter before the pump will ensure that the majority of any pipeline contaminants will be eliminated.

**SOLENOID OPERATION:** When operation is controlled by a solenoid valve in the air line, three-way valves should be used. This valve allows trapped air between the valve and the pump to bleed off which improves pump performance. Pumping volume can be estimated by counting the number of strokes per minute and then multiplying the figure by the displacement per stroke.

**MUFFLER:** Sound levels are reduced below OSHA specifications using the standard Wilden muffler. Other

mufflers can be used to further reduce sound levels, but they usually reduce pump performance.

**ELEVATION:** Selecting a site that is well within the pump's dynamic lift capability will assure that loss-of-prime issues will be eliminated. In addition, pump efficiency can be adversely affected if proper attention is not given to site location.

**PIPING:** Final determination of the pump site should not be made until the piping challenges of each possible location have been evaluated. The impact of current and future installations should be considered ahead of time to make sure that inadvertent restrictions are not created for any remaining sites.

The best choice possible will be a site involving the shortest and straightest hook-up of suction and discharge piping. Unnecessary elbows, bends, and fittings should be avoided. Pipe sizes should be selected to keep friction losses within practical limits. All piping should be supported independently of the pump. In addition, the piping should be aligned to avoid placing stress on the pump fittings.

Flexible hose can be installed to aid in absorbing the forces created by the natural reciprocating action of the pump. If the pump is to be bolted down to a solid location, a mounting pad placed between the pump and the foundation will assist in minimizing pump vibration. Flexible connections between the pump and rigid piping will also assist in minimizing pump vibration. If quick-closing valves are installed at any point in the discharge system, or if pulsation within a system becomes a problem, a surge suppressor (SD Equalizer<sup>®</sup>) should be installed to protect the pump, piping and gauges from surges and water hammer.

If the pump is to be used in a self-priming application, make sure that all connections are airtight and that the suction lift is within the model's ability. Note: Materials of construction and elastomer material have an effect on suction lift parameters. Please refer to the performance section for specifics.

When pumps are installed in applications involving flooded suction or suction head pressures, a gate valve should be installed in the suction line to permit closing of the line for pump service.

Pumps in service with a positive suction head are most efficient when inlet pressure is limited to 0.5–0.7 bar (7–10 psig). Premature diaphragm failure may occur if positive suction is 0.7 bar (10 psig) and higher.

**SUBMERSIBLE APPLICATIONS:** Pro-Flo X<sup>™</sup> pumps can be used for submersible applications, when using the Pro-Flo X<sup>™</sup> submersible option. Turbo-Flo<sup>™</sup> pumps can also be used for submersible applications.

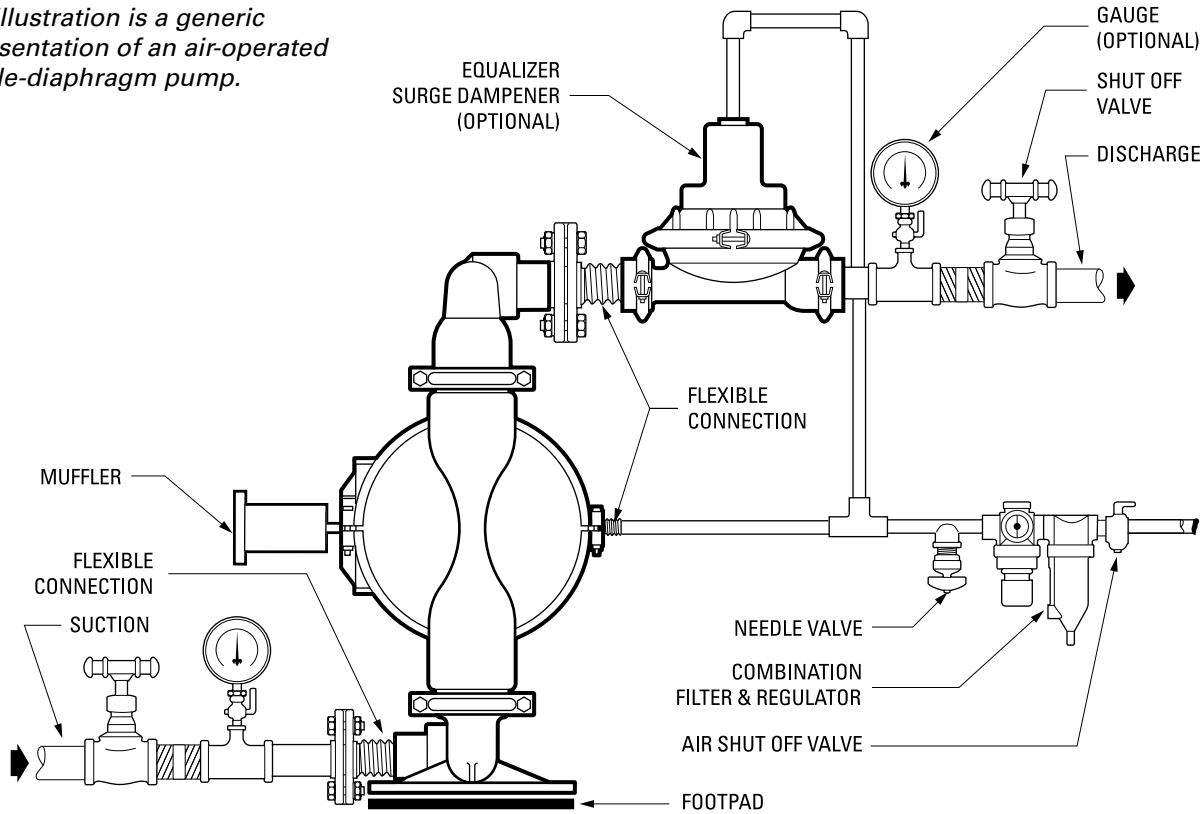
**NOTE:** Pro-Flo<sup>®</sup> and Accu-Flo<sup>™</sup> pumps are not submersible.

**ALL WILDEN PUMPS ARE CAPABLE OF PASSING SOLIDS. A STRAINER SHOULD BE USED ON THE PUMP INTAKE TO ENSURE THAT THE PUMP'S RATED SOLIDS CAPACITY IS NOT EXCEEDED.**

**CAUTION: DO NOT EXCEED 8.6 BAR (125 PSIG) AIR SUPPLY PRESSURE.**

**SUGGESTED INSTALLATION**

*This illustration is a generic representation of an air-operated double-diaphragm pump.*



**NOTE:** In the event of a power failure, the shut off valve should be closed, if the restarting of the pump is not desirable once power is regained.

**AIR OPERATED PUMPS:** To stop the pump from operating in an emergency situation, simply close the

shut off valve (user supplied) installed in the air supply line. A properly functioning valve will stop the air supply to the pump, therefore stopping output. This shut off valve should be located far enough away from the pumping equipment such that it can be reached safely in an emergency situation.

## SUGGESTED OPERATION & MAINTENANCE

**OPERATION:** The P4 and PX4 are pre-lubricated, and do not require in-line lubrication. Additional lubrication will not damage the pump, however if the pump is heavily lubricated by an external source, the pump's internal lubrication may be washed away. If the pump is then moved to a non-lubricated location, it may need to be disassembled and re-lubricated as described in the ASSEMBLY/DISASSEMBLY INSTRUCTIONS.

Pump discharge rate can be controlled by limiting the volume and/or pressure of the air supply to the pump. A regulator is used to control air pressure while a needle valve is used to control volume. Pump discharge rate can also be controlled by throttling the pump discharge by partially closing a valve in the discharge line of the pump. This action increases friction loss which reduces flow rate. (See Section 5.) This is useful when the need exists to control the pump from a remote location. When the pump discharge pressure equals or exceeds the air supply pressure, the pump will stop; no bypass or pressure relief valve is needed, and pump damage will not occur. The pump has reached a "deadhead"

situation and can be restarted by reducing the fluid discharge pressure or increasing the air inlet pressure. The Wilden P4 and PX4 pump runs solely on compressed air and does not generate heat, therefore your process fluid temperature will not be affected.

**MAINTENANCE AND INSPECTIONS:** Since each application is unique, maintenance schedules may be different for every pump. Frequency of use, line pressure, viscosity and abrasiveness of process fluid all affect the parts life of a Wilden pump. Periodic inspections have been found to offer the best means for preventing unscheduled pump downtime. Personnel familiar with the pump's construction and service should be informed of any abnormalities that are detected during operation.

**RECORDS:** When service is required, a record should be made of all necessary repairs and replacements. Over a period of time, such records can become a valuable tool for predicting and preventing future maintenance problems and unscheduled downtime. In addition, accurate records make it possible to identify pumps that are poorly suited to their applications.

## TROUBLESHOOTING

### ***Pump will not run or runs slowly.***

1. Ensure that the air inlet pressure is at least 0.3 Bar (5 psig) above startup pressure and that the differential pressure (the difference between air inlet and liquid discharge pressures) is not less than 0.7 Bar (10 psig).
2. Check air inlet filter for debris (see recommended installation).
3. Check for extreme air leakage (blow by) which would indicate worn seals/bores in the air valve, pilot spool, main shaft.
4. Disassemble pump and check for obstructions in the air passageways or objects which would obstruct the movement of internal parts.
5. Check for sticking ball check valves. If material being pumped is not compatible with pump elastomers, swelling may occur. Replace ball check valves and seals with proper elastomers. Also, as the check valve balls wear out, they become smaller and can become stuck in the seats. In this case, replace balls and seats.
6. Check for broken inner piston which will cause the air valve spool to be unable to shift.
7. Remove plug from pilot spool exhaust.

### ***Pump runs but little or no product flows.***

1. Check for pump cavitation; slow pump speed down to allow thick material to flow into liquid chambers.

2. Verify that vacuum required to lift liquid is not greater than the vapor pressure of the material being pumped (cavitation).
3. Check for sticking ball check valves. If material being pumped is not compatible with pump elastomers, swelling may occur. Replace ball check valves and seats with proper elastomers. Also, as the check valve balls wear out, they become smaller and can become stuck in the seats. In this case, replace balls and seats.

### ***Pump air valve freezes.***

1. Check for excessive moisture in compressed air. Either install a dryer or hot air generator for compressed air. Alternatively, a coalescing filter may be used to remove the water from the compressed air in some applications.

### ***Air bubbles in pump discharge.***

1. Check for ruptured diaphragm.
2. Check tightness of outer pistons (refer to Section 7).
3. Check tightness of fasteners and integrity of o-rings and seals, especially at intake manifold.
4. Ensure pipe connections are airtight.

### ***Product comes out air exhaust.***

1. Check for diaphragm rupture.
2. Check tightness of outer pistons to shaft.

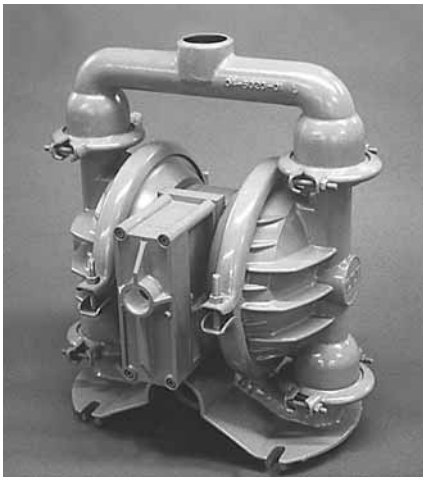
## PUMP DISASSEMBLY

**Tools Required:**

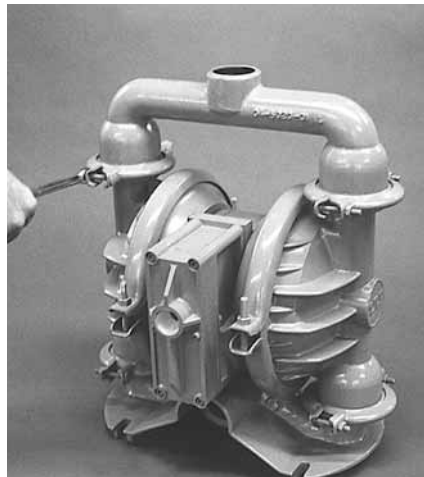
- 7/16" Wrench
- 1/2" Wrench
- Adjustable Wrench
- Vise equipped w/soft jaws (such as plywood, plastic or other suitable material)

**CAUTION:** Before any maintenance or repair is attempted, the compressed air line to the pump should be disconnected and all air pressure allowed to bleed from the pump. Disconnect all intake, discharge, and air lines. Drain the pump by turning it upside down and allowing any fluid to flow into a suitable container. Be aware of any hazardous effects of contact with your process fluid.

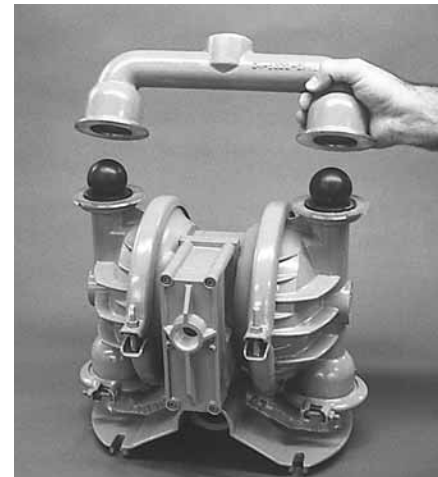
**NOTE:** The model photographed for these instructions incorporates rubber diaphragms, balls, and seats.

**Step 1**

Before starting disassembly, mark a line from each liquid chamber to its corresponding air chamber. This line will assist in proper alignment during reassembly.

**Step 2**

Using a 7/16" wrench, remove the two small clamp bands that fasten the discharge manifold to the liquid chambers.

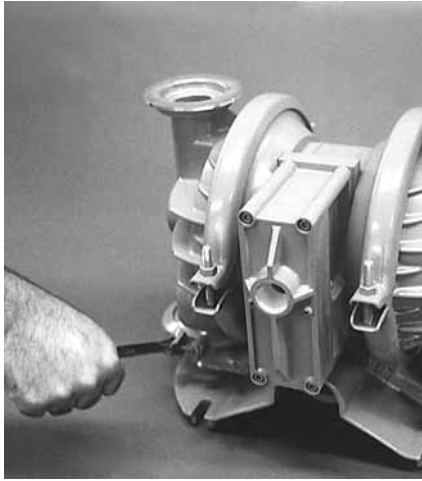
**Step 3**

Remove the discharge manifold to expose the valve balls and seats. Inspect ball cage area of manifold for excessive wear or damage.



**Step 4**

Remove the discharge valve balls and seats from the liquid chambers and inspect for nicks, chemical attack or abrasive wear. Replace worn parts with genuine Wilden parts for reliable performance.



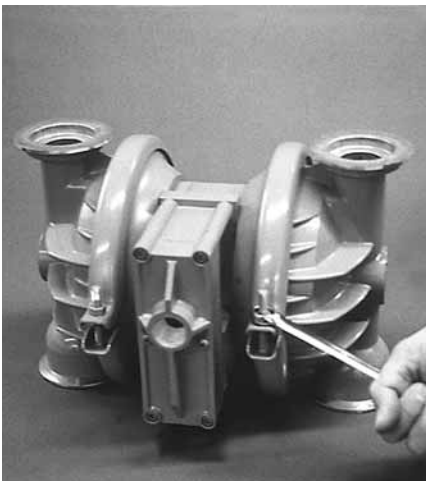
**Step 5**

Using a 1/2" wrench, remove the two large clamp bands which fasten the intake manifold to the liquid chambers.



**Step 6**

Lift liquid chambers and center section from intake manifold to expose intake valve balls and seats. Inspect ball cage area of liquid chamber for excessive wear or damage.



**Step 7**

Remove one set of large clamp bands which secure one liquid chamber to the center section.



**Step 8**

Lift liquid chamber away from center section to expose diaphragm and outer piston.



**Step 9A**

Using an adjustable wrench, or by rotating the diaphragm by hand, remove the diaphragm assembly.

**NOTE:** Due to varying torque values, one of the following two situations may occur: 1) The outer piston, diaphragm and inner piston remain attached to the shaft and the entire assembly can be removed from the center section.



**Step 9B**

2) The outer piston, diaphragm and inner piston separate from the shaft which remains connected to the opposite side diaphragm assembly. Repeat disassembly instructions for the opposite liquid chamber. Inspect diaphragm assembly and shaft for signs of wear or chemical attack. Replace all worn parts with genuine Wilden parts for reliable performance.



**Step 10**

To remove diaphragm assembly from shaft, secure shaft with soft jaws (a vise fitted with plywood, plastic or other suitable material) to ensure shaft is not nicked, scratched or gouged. Using an adjustable wrench, remove diaphragm assembly from shaft.

**Finding A Spares Nightmare?**

**PRODUCTS: AODDP**  
(Air Operated Double Diaphragm Pumps)

- Warren-Rupp®
- ARO®
- Other

**PUMP PARTS**  
(Low Cost)

- Diaphragms
- Valve balls
- Valve seats

**KNOWLEDGE & SERVICE**

- Competitive pricing
- Delivery
- Service
- Inventory

*Sleep easier with*



Spectrom is not your typical after market part supplier. We do not simply sell pump parts; we provide value added procurement solutions.

Our unique network enables us to purchase effectively, resulting in low cost solutions. We also know that low purchase price is not enough - quality, integrity and inventory are also important. Spectrom is structured to provide Pre and Post sales support, giving our customers value added application and pump knowledge.

Contact us to have a procurement solution developed for you. We don't just fit you into a generic system, we develop specific solutions that achieve results.

***Spectrom will ship your order from our facility within 3 working days!***

**WARNING:** These parts may exhibit better life than OEM parts.



**1-909-512-1261 www.spectromparts.com**

## AIR VALVE/CENTER SECTION DISASSEMBLY

### Tools Required:

- 3/16" Hex Head Wrench
- 1/4" Hex Head Wrench
- Snap Ring Pliers
- O-Ring Pick

**CAUTION:** Before any maintenance or repair is attempted, the compressed air line to the pump should be disconnected and all air pressure allowed to bleed from the pump. Disconnect all intake, discharge, and air lines. Drain the pump by turning it upside down and allowing any fluid to flow into a suitable container. Be aware of hazardous effects of contact with your process fluid.

The Wilden Metal P4 and PX4 utilizes a revolutionary Pro-Flo<sup>®</sup> air distribution system. Proprietary composite seals reduce the coefficient of friction and allow the P4 and PX4 to run lube-free. Constructed of acetal, polypropylene, or aluminum the Pro-Flo<sup>®</sup> air distribution system is designed to perform in on/off, non-freezing, non-stalling, tough duty applications.



### Step 1

Loosen the air valve bolts utilizing a 3/16" hex head wrench and then remove muffer plate screws.



### Step 2

Remove muffer plate and air valve bolts from air valve assembly exposing muffer gasket for inspection. Replace if necessary.



### Step 3

Lift away air valve assembly and remove air valve gasket for inspection. Replace if necessary.

## AIR VALVE/CENTER SECTION DISASSEMBLY



### Step 4

Remove air valve end cap to expose air valve spool by simply lifting up on end cap once air valve bolts are removed.



### Step 5

Remove air valve spool from air valve body by threading one air valve bolt into the end of the spool and gently sliding the spool out of the air valve body. Inspect seals for signs of wear and replace entire assembly if necessary. Use caution when handling air valve spool to prevent damaging seals.

**NOTE:** Seals should not be removed from assembly. Seals are not sold separately.



### Step 6

Remove pilot spool retaining snap ring on both sides of center section with snap ring pliers.



### Step 7

Remove air chamber bolts with 1/4" hex head wrench.



### Step 8

Remove pilot spool bushing from center block.



### Step 9

With o-ring pick, gently remove the o-ring from the opposite side of the notched end of the spool. Gently remove the pilot spool from sleeve and inspect for nicks or gouges and other signs of wear. Replace pilot sleeve assembly or outer sleeve o-rings if necessary. During re-assembly never insert the pilot spool into the sleeve with the "notched end" first, this end incorporates the urethane o-ring and will be damaged as it slides over the ports cut in the sleeve.

**NOTE:** Seals should not be removed from pilot spool. Seals are not sold separately.

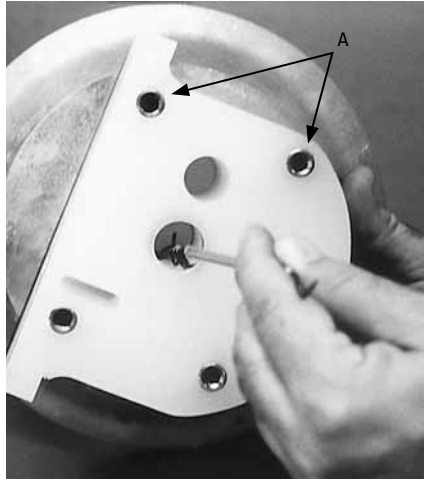


## AIR VALVE/CENTER SECTION DISASSEMBLY



**Step 10A**

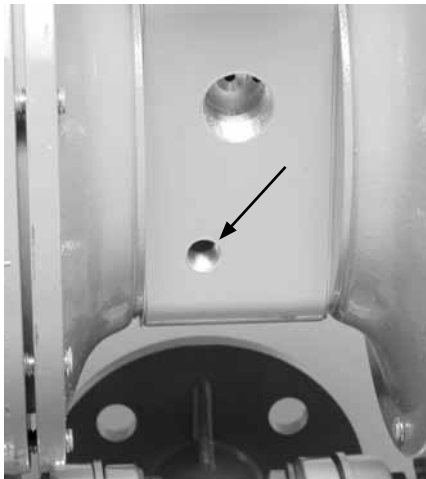
Check center block shaft seals for signs of wear. If necessary, remove shaft seals with o-ring pick and replace.



**Step 10B**

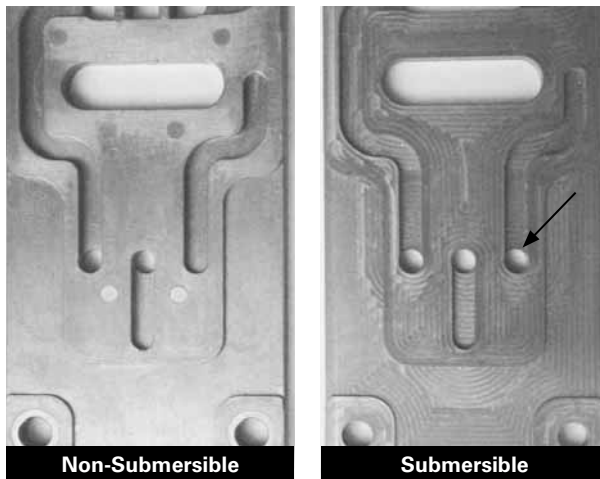
**NOTE:** Threaded sleeves (see A above) are removable and can be replaced if necessary. Sleeves can be press-fit by hand. Pro-Flo® ONLY.

## SUBMERSIBLE PRO-FLO X™



**Step 1**

Install a 1/4" NPT pipe plug (00-7010-08) into the pilot spool bleed port located at the front of the center block.



**Step 2**

Next, install an optional submersible air valve gasket (04-2621-52). The submersible air valve gasket can be purchased as a spare part or included with the purchase of a new Pro-Flo X™ pump.

**ASSEMBLY:**

Upon performing applicable maintenance to the air distribution system, the pump can now be reassembled. Please refer to the disassembly instructions for photos and parts placement. To reassemble the pump, follow the disassembly instructions in reverse order. The air distribution system needs to be assembled first, then the diaphragms and finally the wetted path. Please find the applicable torque specifications on this page. The following tips will assist in the assembly process.

- Lubricate air valve bore, center section shaft and pilot spool bore with NLGI grade 2 white EP bearing grease or equivalent.
- Clean the inside of the center section shaft bore to ensure no damage is done to new shaft seals.
- A small amount NLGI grade 2 white EP bearing grease can be applied to the muffler and air valve gaskets to locate gaskets during assembly.
- Make sure that the exhaust port on the muffler plate is centered between the two exhaust ports on the center section.
- Stainless bolts should be lubed to reduce the possibility of seizing during tightening.
- Use a mallet to tamp lightly on the large clamp bands to seat the diaphragm before tightening.

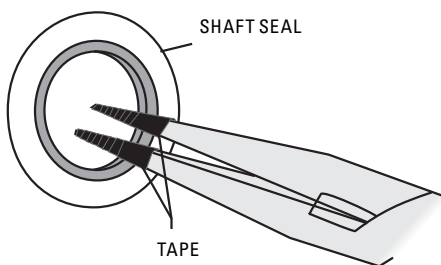
**PROFLO® MAXIMUM TORQUE SPECIFICATIONS**

Description of Part	Torque
Air Valve	5.1 N-m (45 in-lbs)
Air Chamber/Center Block	27.1 N-m (20 ft-lbs)
Outer Pistons, All	54.2 N-m (40 ft-lbs)
Small Clamp Bands	3.4 N-m (30 in-lbs)
Large Clamp Bands (Rubber-Fitted)	10.7 N-m (95 in-lbs)
Large Clamp Bands (PTFE-Fitted)	13.6 N-m (120 in-lbs)

**PROFLO X™ MAXIMUM TORQUE SPECIFICATIONS**

Description of Part	Torque
Air Valve	13.6 N-m (120 in-lbs)
Air Chamber/Center Block	27.1 N-m (20 ft-lbs)
Outer Pistons, All	54.2 N-m (40 ft-lbs)
Small Clamp Bands	3.4 N-m (30 in-lbs)
Large Clamp Bands (Rubber-Fitted)	10.7 N-m (95 in-lbs)
Large Clamp Bands (PTFE-Fitted)	13.6 N-m (120 in-lbs)

**Figure A**



**SHAFT SEAL INSTALLATION:**

**PRE-INSTALLATION**

- Once all of the old seals have been removed, the inside of the bushing should be cleaned to ensure no debris is left that may cause premature damage to the new seals.

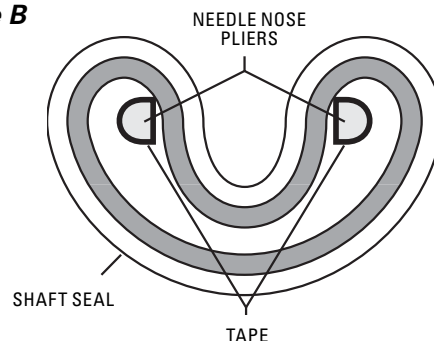
**INSTALLATION**

The following tools can be used to aid in the installation of the new seals:

- Needle Nose Pliers
- Phillips Screwdriver
- Electrical Tape

- Wrap electrical tape around each leg of the needle nose pliers (heat shrink tubing may also be used). This is done to prevent damaging the inside surface of the new seal.
- With a new seal in hand, place the two legs of the needle nose pliers inside the seal ring. (See Figure A.)
- Open the pliers as wide as the seal diameter will allow, then with two fingers pull down on the top portion of the seal to form kidney bean shape. (See Figure B.)
- Lightly clamp the pliers together to hold the seal into the kidney shape. Be sure to pull the seal into as tight of a kidney shape as possible, this will allow the seal to travel down the bushing bore easier.
- With the seal clamped in the pliers, insert the seal into the bushing bore and position the bottom of the seal into the correct groove. Once the bottom of the seal is seated in the groove, release the clamp pressure on the pliers. This will allow the seal to partially snap back to its original shape.
- After the pliers are removed, you will notice a slight bump in the seal shape. Before the seal can be properly resized, the bump in the seal should be removed as much as possible. This can be done with either the Phillips screwdriver or your finger. With either the side of the screwdriver or your finger, apply light pressure to the peak of the bump. This pressure will cause the bump to be almost completely eliminated.
- Lubricate the edge of the shaft with NLGI grade 2 white EP bearing grease.
- Slowly insert the center shaft with a rotating motion. This will complete the resizing of the seal.
- Perform these steps for the remaining seals.

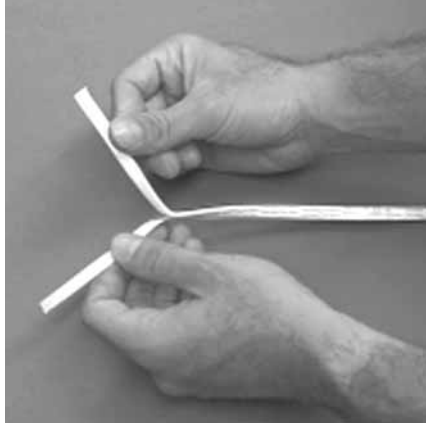
**Figure B**



## GASKET KIT INSTALLATION

Only P4 and PX4 Cast Iron pumps come standard with expanded PTFE Gasket Kits (P/N 04-9502-99). Carefully prepare sealing surfaces by removing all debris and foreign matter from diaphragm bead

and all mating surfaces. If necessary, smooth or deburr all sealing surfaces. Mating surfaces must be properly aligned in order to ensure positive sealing characteristics.



### Step 1

Gently remove the adhesive covering from the back of the PTFE tape. Ensure that the adhesive strip remains attached to the PTFE tape.




### Step 2

Starting at any point, place the PTFE tape in the center of the diaphragm bead groove on the liquid chamber and press lightly on the tape to ensure that the adhesive holds in place during assembly. Do not stretch the tape during placement in the center of diaphragm bead groove.



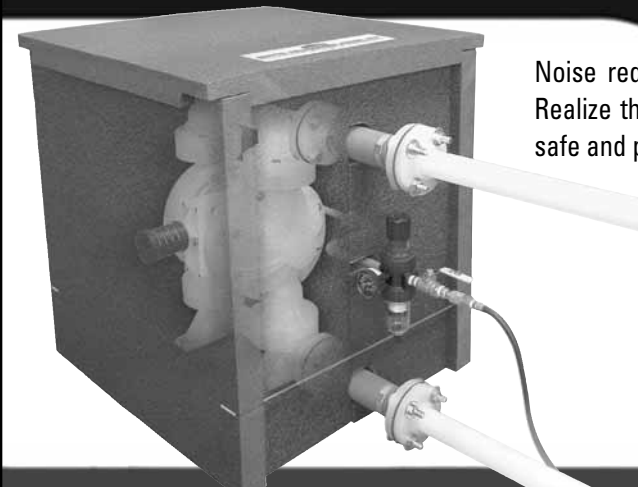
### Step 3

The end of the tape should overlap approximately 13 mm (1/2"). Proceed to install the PTFE tape on the remaining diaphragm.



**WILDEN**  
**SOUND SHIELD**<sup>TM</sup>

***The name says it all.***



Noise reduction in the workplace is critical to enhanced productivity. Realize the benefits of air-operated pump technology while providing a safe and profitable environment for your employees with Sound Shield<sup>TM</sup>.

- Avg. 14 dBA reduction
- Strong & light weight
- No system modifications
- Installs in minutes

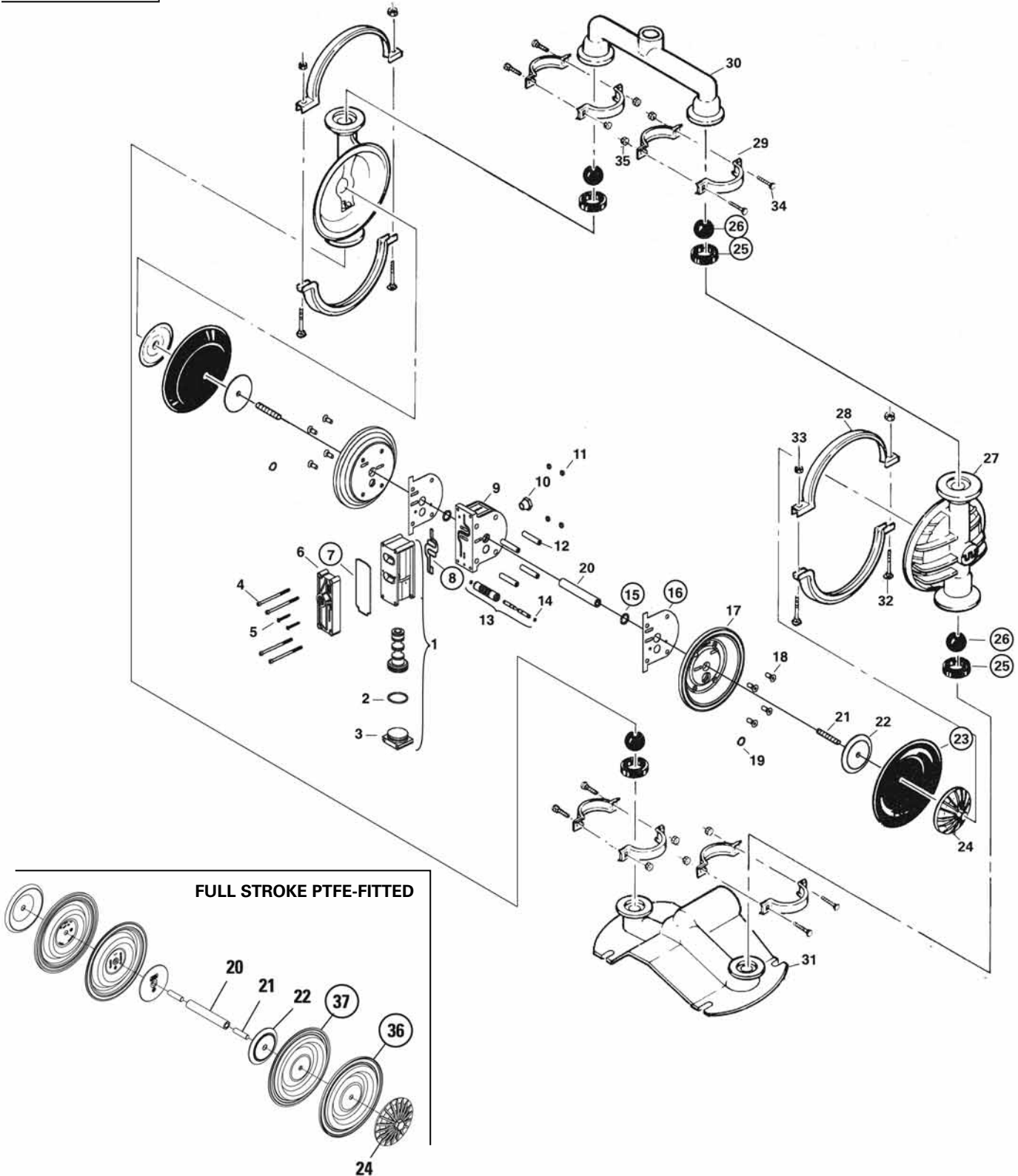
**WILDEN**<sup>®</sup>  
A DOVER COMPANY

22069 VAN BUREN STREET • GRAND TERRACE, CA 92313-5607  
(909) 422-1730 • FAX (909) 783-3440  
www.wildenpump.com

EXPLODED VIEW AND PARTS LISTING

P4 METAL Full Stroke-Fitted

EXPLODED VIEW



ALL CIRCLED PART IDENTIFIERS ARE INCLUDED IN REPAIR KITS (see section 9).

**P4 METAL Full Stroke-Fitted**

**PARTS LISTING**

No.	Part Description	Qty.	P4/AAPP P/N	P4/WAPP P/N	P4/SAPP P/N	P4/SAPP/070 P/N
<b>1</b>	<b>Pro-Flo® Air Valve Assembly<sup>1</sup></b>	<b>1</b>	<b>04-2000-20-700</b>	<b>04-2000-20-700</b>	<b>04-2000-20-700</b>	<b>04-2000-20-700</b>
2	O-Ring (-225), End Cap (1.859 x .139)	1	04-2390-52-700	04-2390-52-700	04-2390-52-700	04-2390-52-700
3	End Cap, Pro-Flo®	1	04-2330-20-700	04-2330-20-700	04-2330-20-700	04-2330-20-700
4	Screw, HHC, Air Valve (1/4" x 4.5")	4	01-6000-03	01-6000-03	01-6000-03	01-6000-03
5	Screw, SHCS, 10-16 x 1 3/4"	2	04-6351-03	04-6351-03	04-6351-03	04-6351-03
6	Muffler Plate, Pro-Flo®	1	04-3180-20-700	04-3180-20-700	04-3180-20-700	04-3180-20-700
<b>7</b>	<b>Gasket, Muffler Plate</b>	<b>1</b>	<b>04-3500-52-700</b>	<b>04-3500-52-700</b>	<b>04-3500-52-700</b>	<b>04-3500-52-700</b>
<b>8</b>	<b>Gasket, Air Valve</b>	<b>1</b>	<b>04-2600-52-700</b>	<b>04-2600-52-700</b>	<b>04-2600-52-700</b>	<b>04-2600-52-700</b>
9	Center Section Assembly	1	04-3110-20	04-3110-20	04-3110-20	04-3110-20
10	Bushing, Reducer, NPT/BSP Combo	1	04-6950-20-700	04-6950-20-700	04-6950-20-700	04-6950-20-700
11	Nut, Square, 1/4"-20	4	00-6505-03	00-6505-03	00-6505-03	00-6505-03
12	Sleeve, Threaded, Pro-Flo® Center Block	4	04-7710-08	04-7710-08	04-7710-08	04-7710-08
<b>13</b>	<b>Removable Pilot Sleeve Assembly</b>	<b>1</b>	<b>04-3880-99</b>	<b>04-3880-99</b>	<b>04-3880-99</b>	<b>04-3880-99</b>
14	Pilot Spool Retaining O-Ring	2	04-2650-49-700	04-2650-49-700	04-2650-49-700	04-2650-49-700
<b>15</b>	<b>Shaft Seal</b>	<b>2</b>	<b>08-3210-55-225</b>	<b>08-3210-55-225</b>	<b>08-3210-55-225</b>	<b>08-3210-55-225</b>
<b>16</b>	<b>Gasket, Center Block, Pro-Flo®</b>	<b>2</b>	<b>04-3526-52</b>	<b>04-3526-52</b>	<b>04-3526-52</b>	<b>04-3526-52</b>
17	Air Chamber, Pro-Flo®	2	04-3651-01	04-3651-01	04-3651-01	04-3651-01
18	Screw, HSFHS, 3/8"-16 x 1"	8	71-6250-08	71-6250-08	71-6250-08	71-6250-08
19	Retaining Ring	2	04-3890-03	04-3890-03	04-3890-03	04-3890-03
20	Shaft, Pro-Flo®	1	04-3800-03-700	04-3800-03-700	04-3800-03-700	04-3800-03-700
21	Shaft Stud (P4/WAPP: Bolt) <sup>2</sup>	2	08-6150-08	04-6091-08	08-6150-08	08-6150-08
22	Inner Piston	2	04-3700-01-700	04-3700-01-700	04-3700-01-700	04-3700-01-700
<b>23</b>	<b>Diaphragm</b>	<b>2</b>	*	*	*	<b>04-1010-56</b>
24	Outer Piston	2	04-4552-01	04-4550-08	04-4550-03	04-4550-03P
<b>25</b>	<b>Valve Seat</b>	<b>4</b>	*	*	*	<b>04-1120-56</b>
<b>26</b>	<b>Valve Ball</b>	<b>4</b>	*	*	*	<b>04-1080-56</b>
27	Liquid Chamber	2	04-5000-01	04-5000-02	04-5000-03	04-5000-03P
28	Large Clamp Band Assy.	2	04-7330-08	04-7330-08	04-7330-03	04-7330-03-70P
29	Small Clamp Band Assy.	4	04-7100-08	04-7100-08	04-7100-03	04-7100-03-70P
30	Manifold, Discharge	1	04-5020-01	04-5020-02	04-5020-03	04-5020-03-70
31	Manifold, Footed Inlet	1	04-5080-01	04-5080-02	04-5080-03	04-5080-03-70
32	Carriage Bolt, Large Clamp Band (5/16"-18 x 2-1/2")	4	04-6070-08	04-6070-08	04-6070-03	04-6070-03
33	Hex Nut, Large Clamp Band (5/16"-18)	4	04-6420-08	04-6420-08	08-6400-03	08-6661-10
34	Carriage Bolt, Small Clamp Band (1/4"-20 x 2")	8	04-6050-08	04-6050-08	01-6070-03	01-6070-03
35	Hex Nut, Small Clamp Band (1/4"-20)	8	04-6400-08	04-6400-08	04-6400-03	04-6651-10
	Muffler (Not Shown)	1	04-3510-99	04-3510-99	04-3510-99	04-3510-99
	Washer, Flat 1/4" (Not Shown)	8	N/A	N/A	N/A	04-6700-07-70
	Washer, Flat 5/16" (Not Shown)	4	N/A	N/A	N/A	08-6700-07-70
<b>36</b>	<b>Diaphragm, Primary Full Stroke PTFE</b>	<b>2</b>	*	*	*	*
<b>37</b>	<b>Diaphragm, Backup Full Stroke PTFE</b>	<b>2</b>	*	*	*	*

<sup>1</sup>Air Valve Assembly includes item numbers 2 and 3.

<sup>2</sup>NOTE: Rubber/TPE-fitted cast iron pumps use 1/2"-20 x 1-1/2" Hex Bolt (P/N 04-6091-08) with washer (P/N 04-6800-08).

BSP-fitted pumps are available. Contact your distributor for part numbers.

For optional P4 Metal Pump elastomers, see Section 10.

NOTE: Aluminum pumps are available with a screen base. Requires (1) 04-5620-01 (Screen), (4) 04-6140-08 (Bolt) and (4) 15-6720-08 (Washer).

-070 Specialty Code = Saniflo<sup>FDA</sup>

\*See Section 9 — Elastomer Chart

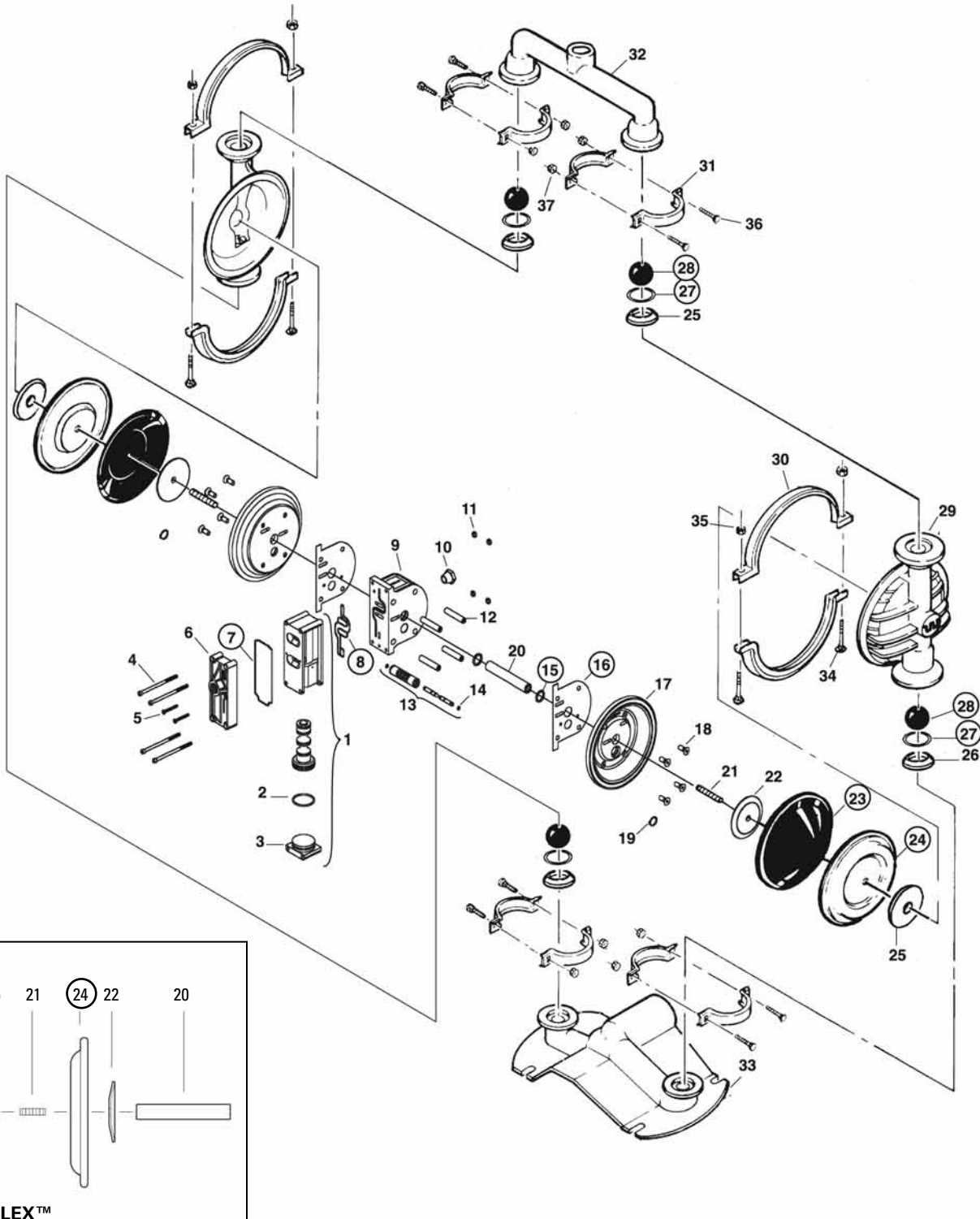
**All boldface items are primary wear parts.**

**EXPLODED VIEW AND PARTS LISTING**

**P4 METAL**

Reduced Stroke-Fitted

**EXPLODED VIEW**



ULTRA-FLEX™

**ALL CIRCLED PART IDENTIFIERS ARE INCLUDED IN REPAIR KITS (see section 9).**

**P4 METAL Reduced Stroke-Fitted**

**PARTS LISTING**

No.	Part Description	Qty.	P4/AAPP P/N	P4/WAPP P/N	P4/SAPP P/N	P4/SAPP/0070 P/N
<b>1</b>	<b>Pro-Flo® Air Valve Assembly<sup>1</sup></b>	<b>1</b>	<b>04-2000-20-700</b>	<b>04-2000-20-700</b>	<b>04-2000-20-700</b>	<b>04-2000-20-700</b>
2	O-Ring (-225), End Cap (1.859 x .139)	1	04-2390-52-700	04-2390-52-700	04-2390-52-700	04-2390-52-700
3	End Cap, Pro-Flo®	1	04-2330-20-700	04-2330-20-700	04-2330-20-700	04-2330-20-700
4	Screw, HHC, Air Valve (1/4" x 4.5")	4	01-6000-03	01-6000-03	01-6000-03	01-6000-03
5	Screw, SHCS, 10-16 x 1 3/4"	2	04-6351-03	04-6351-03	04-6351-03	04-6351-03
6	Muffler Plate, Pro-Flo®	1	04-3180-20-700	04-3180-20-700	04-3180-20-700	04-3180-20-700
<b>7</b>	<b>Gasket, Muffler Plate</b>	<b>1</b>	<b>04-3500-52-700</b>	<b>04-3500-52-700</b>	<b>04-3500-52-700</b>	<b>04-3500-52-700</b>
<b>8</b>	<b>Gasket, Air Valve</b>	<b>1</b>	<b>04-2600-52-700</b>	<b>04-2600-52-700</b>	<b>04-2600-52-700</b>	<b>04-2600-52-700</b>
9	Center Section Assembly	1	04-3110-20	04-3110-20	04-3110-20	04-3110-20
10	Bushing, Reducer, NPT/BSP Combo	1	04-6950-23-700	04-6950-23-700	04-6950-23-700	04-6950-23-700
11	Nut, Square, 1/4"-20	4	00-6505-07	00-6505-07	00-6505-07	00-6505-07
12	Sleeve, Threaded, Pro-Flo® Center Block	4	04-7710-08	04-7710-08	04-7710-08	04-7710-08
<b>13</b>	<b>Removable Pilot Sleeve Assembly</b>	<b>1</b>	<b>04-3880-99</b>	<b>04-3880-99</b>	<b>04-3880-99</b>	<b>04-3880-99</b>
14	Pilot Spool Retaining O-Ring	2	04-2650-49-700	04-2650-49-700	04-2650-49-700	04-2650-49-700
<b>15</b>	<b>Shaft Seal</b>	<b>2</b>	<b>08-3210-55-225</b>	<b>08-3210-55-225</b>	<b>08-3210-55-225</b>	<b>08-3210-55-225</b>
<b>16</b>	<b>Gasket, Center Block, Pro-Flo®</b>	<b>2</b>	<b>04-3526-52</b>	<b>04-3526-52</b>	<b>04-3526-52</b>	<b>04-3526-52</b>
17	Air Chamber, Pro-Flo®	2	04-3651-01	04-3651-01	04-3651-01	04-3651-01
18	Screw, HSFHS, 3/8"-16 x 1"	8	71-6250-08	71-6250-08	71-6250-08	71-6250-08
19	Retaining Ring	2	04-3890-03	04-3890-03	04-3890-03	04-3890-03
20	Shaft, Pro-Flo®	1	04-3820-03-700	04-3820-03-700	04-3820-03-700	04-3820-03-700
	Shaft, Pro-Flo®, Ultra-Flex™	1	04-3830-03-700	04-3830-03-700	04-3830-03-700	N/A
21	Stud, Shaft	2	04-6150-08	04-6150-08	04-6150-08	04-6150-08
	Shaft Stud, Ultra-Flex™	2	N/R	04-6152-08	04-6152-08	N/A
22	Inner Piston	2	04-3715-01	04-3715-01	04-3715-01	04-3715-01
	Inner Piston, Ultra-Flex™	2	04-3760-01-700	04-3760-01-700	04-3760-01-700	N/A
<b>23</b>	<b>Back-up Diaphragm</b>	<b>2</b>	<b>04-1060-51</b>	<b>04-1060-51</b>	<b>04-1060-51</b>	<b>04-1060-51</b>
<b>24</b>	<b>Diaphragm</b>	<b>2</b>	<b>*</b>	<b>*</b>	<b>*</b>	<b>*</b>
25	Outer Piston	2	04-4600-01	04-4600-03	04-4600-03	04-4600-03P
	Outer Piston, Ultra-Flex™	2	04-4560-01	04-4560-02	02-4550-03	N/A
<b>26</b>	<b>Valve Seat</b>	<b>4</b>	<b>04-1121-01</b>	<b>04-1121-08</b>	<b>04-1121-03</b>	<b>04-1121-03P</b>
<b>27</b>	<b>Valve Seat, O-Ring (2.609" x .139")</b>	<b>4</b>	<b>04-1200-55</b>	<b>04-1200-55</b>	<b>04-1200-55</b>	<b>04-1200-55</b>
<b>28</b>	<b>Valve Ball</b>	<b>4</b>	<b>04-1080-55</b>	<b>04-1080-55</b>	<b>04-1080-55</b>	<b>04-1080-55</b>
29	Liquid Chamber	2	04-5000-01	04-5000-02	04-5000-03	04-5000-03P
30	Large Clamp Band Assy.	2	04-7330-03	04-7330-03	04-7330-03	04-7330-03-70
31	Small Clamp Band Assy.	4	04-7100-03	04-7100-03	04-7100-03	04-7100-03-70
32	Manifold, Discharge	1	04-5020-01	04-5020-02	04-5020-03	04-5020-03-70P
33	Manifold, Footed Inlet	1	04-5080-01	04-5080-02	04-5080-03	04-5080-03-70P
34	Carriage Bolt, Large Clamp Band (5/16"-18 x 2-1/2")	4	04-6070-03	04-6070-03	04-6070-03	04-6070-03
35	Hex Nut, Large Clamp Band (5/16"-18)	4	08-6400-03	08-6400-03	08-6400-03	08-6661-10
36	Carriage Bolt, Small Clamp Band (1/4"-20 x 2")	8	01-6070-03	01-6070-03	01-6070-03	01-6070-03
37	Hex Nut, Small Clamp Band (1/4"-20)	8	04-6400-03	04-6400-03	04-6400-03	04-6651-10
	Muffler (Not Shown)	1	04-3510-99	04-3510-99	04-3510-99	04-3510-99
	Washer, Flat 1/4" (Not Shown)	8	N/A	N/A	N/A	04-6700-07-70
	Washer, Flat 5/16" (Not Shown)	4	N/A	N/A	N/A	08-6700-07-70

<sup>1</sup>Air Valve Assembly includes item numbers 2 and 3.

BSP-fitted pumps are available. Contact your distributor for part numbers.

Fluoro-Seal™ o-rings available upon request.

Back-up Diaphragm for PTFE-fitted pump: P/N 04-1060-51. Saniflex™ Back-up Diaphragm, P/N 04-1060-56, is available upon request for PTFE-fitted pumps. Please consult your local distributor.

-070 Specialty Code = Saniflo<sup>FDA</sup>

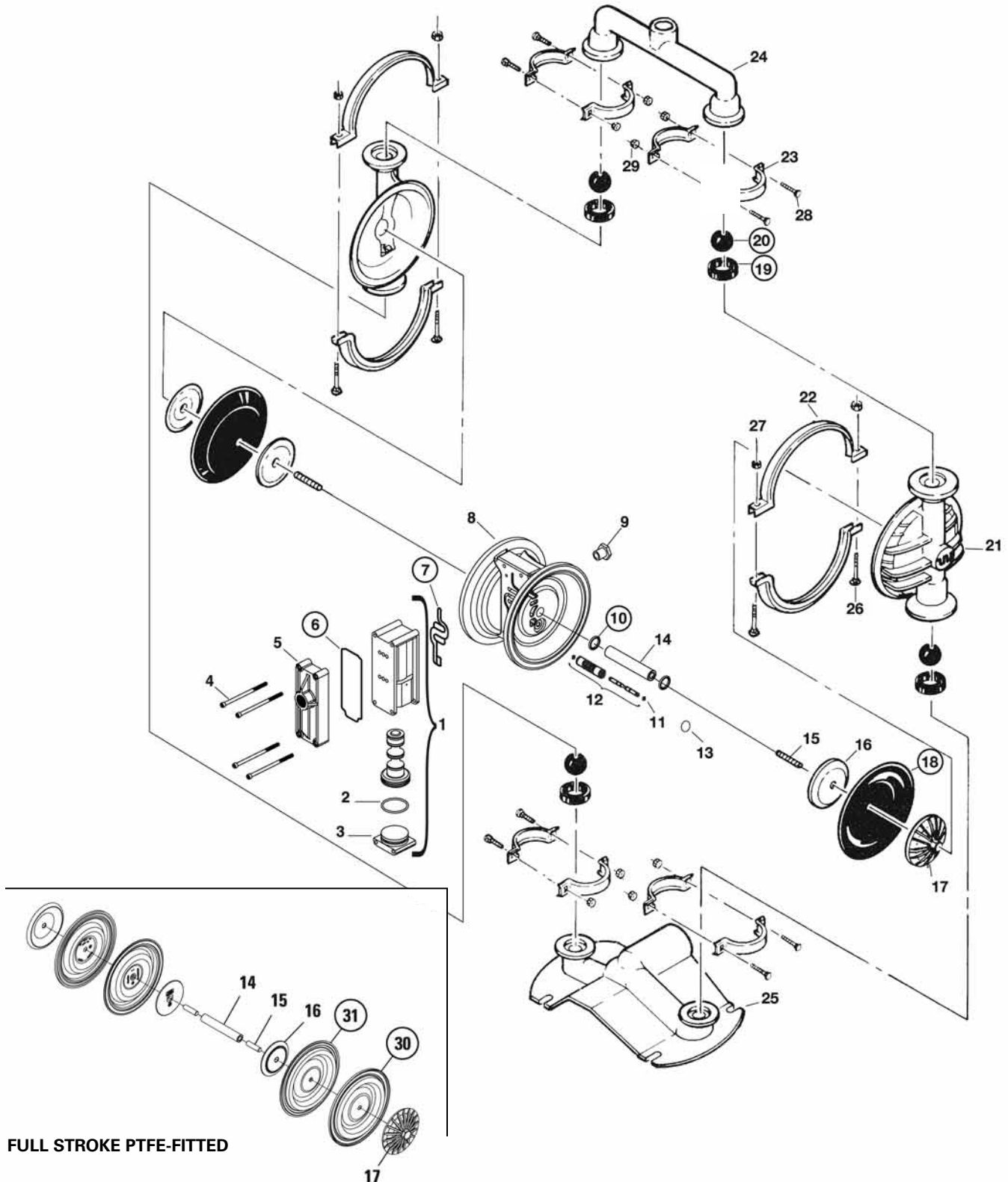
**All boldface items are primary wear parts.**

**EXPLODED VIEW AND PARTS LISTING**

**P4 METAL**

**1-Piece Center Section Full Stroke Diaphragm-Fitted**

**EXPLODED VIEW**



FULL STROKE PTFE-FITTED

**ALL CIRCLED PART IDENTIFIERS ARE INCLUDED IN REPAIR KITS (see section 9).**



**P4 METAL 1-Piece Center Section Full Stroke Diaphragm-Fitted PARTS LISTING**

No.	Part Description	Qty	P4/ALLL P/N	P4/WLLL P/N	P4/SLLL P/N	P4/SLLL/0070 P/N
<b>1</b>	<b>Air Valve Assembly<sup>1</sup>, Pro-Flo<sup>®</sup></b>	<b>1</b>	<b>04-2000-13-700</b>	<b>04-2000-13-700</b>	<b>04-2000-13-700</b>	<b>04-2000-13-700</b>
2	O-Ring (-225), End Cap (1.859 x .139)	1	04-2390-52-700	04-2390-52-700	04-2390-52-700	04-2390-52-700
3	End Cap, Pro-Flo <sup>®</sup>	1	04-2330-13-700	04-2330-13-700	04-2330-13-700	04-2330-13-700
4	Screw, HHC, Air Valve (1/4"-20 x 4.5")	4	01-6000-03	01-6000-03	01-6000-03	01-6000-03
5	Muffler Plate, Pro-Flo <sup>®</sup>	1	04-3180-13-700	04-3180-13-700	04-3180-13-700	04-3180-13-700
<b>6</b>	<b>Gasket, Muffler Plate, Pro-Flo<sup>®</sup></b>	<b>1</b>	<b>04-3500-52-700</b>	<b>04-3500-52-700</b>	<b>04-3500-52-700</b>	<b>04-3500-52-700</b>
<b>7</b>	<b>Gasket, Air Valve, Pro-Flo<sup>®</sup></b>	<b>1</b>	<b>04-2600-52-700</b>	<b>04-2600-52-700</b>	<b>04-2600-52-700</b>	<b>04-2600-52-700</b>
8	Center Section Assembly, Pro-Flo <sup>®</sup>	1	04-3150-13-700	04-3150-13-700	04-3150-13-700	04-3150-13-700
9	Bushing Reducer, NPT/BSP Combo	1	04-6950-13-700	04-6950-13-700	04-6950-13-700	04-6950-13-700
<b>10</b>	<b>Shaft Seal</b>	<b>2</b>	<b>08-3510-55-225</b>	<b>08-3510-55-225</b>	<b>08-3510-55-225</b>	<b>08-3510-55-225</b>
11	Pilot Spool Retaining O-Ring	2	04-2650-49-700	04-2650-49-700	04-2650-49-700	04-2650-49-700
12	Removable Pilot Spool Assy.	1	04-3880-99	04-3880-99	04-3880-99	04-3880-99
13	Retaining Ring	2	04-3890-03	04-3890-03	04-3890-03	04-3890-03
14	Shaft	1	04-3800-03-700	04-3800-03-700	04-3800-03-700	04-3800-03-700
15	Shaft Stud <sup>2</sup>	2	08-6150-08	04-6091-08	08-6150-08	08-6150-08
16	Inner Piston	2	04-3700-01-700	04-3700-01-700	04-3700-01-700	04-3700-01-700
17	Outer Piston	2	04-4552-01	04-4550-08	04-4550-03	04-4550-03P
<b>18</b>	<b>Diaphragm</b>	<b>2</b>	<b>*</b>	<b>*</b>	<b>*</b>	<b>04-1010-56</b>
<b>19</b>	<b>Seat, Valve</b>	<b>4</b>	<b>*</b>	<b>*</b>	<b>*</b>	<b>04-1120-56</b>
<b>20</b>	<b>Ball, Valve</b>	<b>4</b>	<b>*</b>	<b>*</b>	<b>*</b>	<b>04-1080-56</b>
21	Liquid Chamber	2	04-5000-01	04-5000-02	04-5000-03	04-5000-03P
22	Large Clamp Band Assy.	2	04-7330-08	04-7330-08	04-7330-03	04-7330-03-70
23	Small Clamp Band Assy.	4	04-7100-08	04-7100-08	04-7100-03	04-7100-03-70
24	Discharge Manifold	1	04-5020-01	04-5020-02	04-5020-03	04-5020-03-70P
25	Inlet Manifold	1	04-5080-01	04-5080-02	04-5080-03	04-5080-03-70P
26	Carriage Bolt, Large Clamp Band (5/16"-18 x 2-1/2")	4	04-6070-08	04-6070-08	04-6070-03	04-6070-03
27	Hex Nut, Large Clamp Band (5/16"-18)	4	04-6420-08	04-6420-08	08-6400-03	08-6661-10
28	Carriage Bolt, Small Clamp Band (1/4"-20 x 2")	8	04-6050-08	04-6050-08	01-6070-03	01-6070-03
29	Hex Nut, Small Clamp Band (1/4"-20)	8	04-6400-08	04-6400-08	04-6400-03	04-6651-10
	Muffler (Not Shown)	1	04-3510-99	04-3510-99	04-3510-99	04-3510-99
	Washer, Flat, 1/4" (not shown)	8	N/A	N/A	N/A	04-6700-07-70
	Washer, Flat, 5/16" (not shown)	4	N/A	N/A	N/A	08-6700-07-70
<b>30</b>	<b>Diaphragm, Primary Full Stroke PTFE</b>	<b>2</b>	<b>*</b>	<b>*</b>	<b>*</b>	<b>*</b>
<b>31</b>	<b>Diaphragm, Backup Full Stroke PTFE</b>	<b>2</b>	<b>*</b>	<b>*</b>	<b>*</b>	<b>*</b>

<sup>1</sup>Air Valve Assembly includes item numbers 2 and 3.

<sup>2</sup>NOTE: Rubber/TPE-fitted cast iron pumps use 1/2"-20 x 1-1/2" Hex Bolt (P/N 04-6091-08) with washer (P/N 04-6800-08).

BSP-fitted pumps are available. Contact your distributor for part numbers.

For optional P4 Metal Pump elastomers, see Section 9.

NOTE: Aluminum pumps are available with a screen base. Requires (1) 04-5620-01 (Screen), (4) 04-6140-08 (Bolt) and (4) 15-6720-08 (Washer).

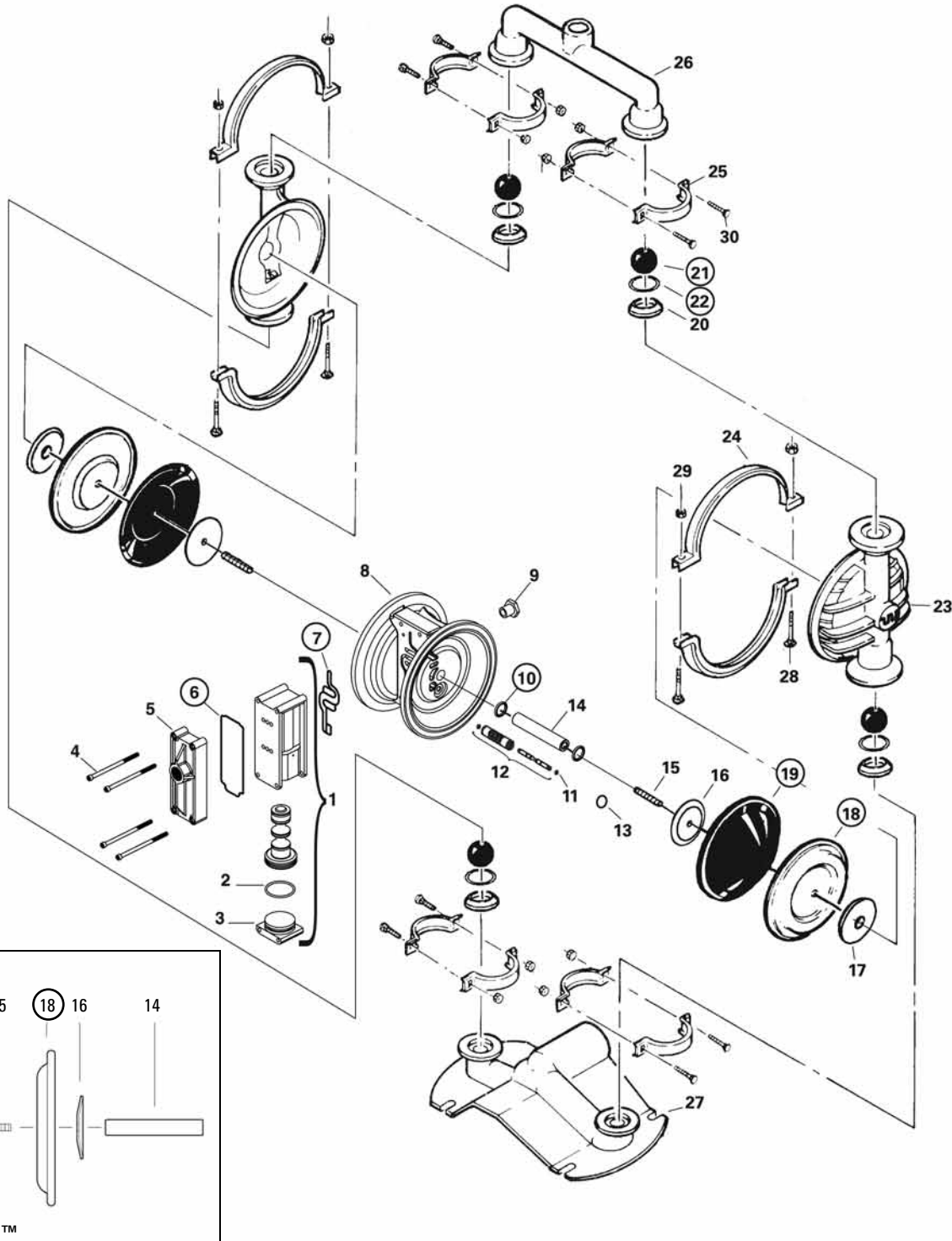
070 Specialty Code = Saniflo<sup>FDA</sup>

\*See Section 9 — Elastomer Chart

**All boldface items are primary wear parts.**

**EXPLODED VIEW AND PARTS LISTING**

**P4 METAL 1-Piece Center Section Reduced Stroke Diaphragm-Fitted EXPLODED VIEW**



**ALL CIRCLED PART IDENTIFIERS ARE INCLUDED IN REPAIR KITS (see section 9).**

**P4 METAL**

**1-Piece Center Section Reduced Stroke Diaphragm-Fitted**

**PARTS LISTING**

No.	Part Description	Qty.	P4/ALLL P/N	P4/WLLL P/N	P4/SLLL P/N	P4/SLLL/0070 P/N
<b>1</b>	<b>Air Valve Assembly<sup>1</sup>, Pro-Flo<sup>®</sup></b>	<b>1</b>	<b>04-2000-13-700</b>	<b>04-2000-13-700</b>	<b>04-2000-13-700</b>	<b>04-2000-13-700</b>
2	O-Ring (-225), End Cap (1.859 x .139)	1	04-2390-52-700	04-2390-52-700	04-2390-52-700	04-2390-52-700
3	End Cap, Pro-Flo <sup>®</sup>	1	04-2330-13-700	04-2330-13-700	04-2330-13-700	04-2330-13-700
4	Screw, HHC, Air Valve (1/4"-20 x 4.5")	4	01-6000-03	01-6000-03	01-6000-03	01-6000-03
5	Muffler Plate, Pro-Flo <sup>®</sup>	1	04-3180-13-700	04-3180-13-700	04-3180-13-700	04-3180-13-700
<b>6</b>	<b>Gasket, Muffler Plate, Pro-Flo<sup>®</sup></b>	<b>1</b>	<b>04-3500-52-700</b>	<b>04-3500-52-700</b>	<b>04-3500-52-700</b>	<b>04-3500-52-700</b>
<b>7</b>	<b>Gasket, Air Valve, Pro-Flo<sup>®</sup></b>	<b>1</b>	<b>04-2600-52-700</b>	<b>04-2600-52-700</b>	<b>04-2600-52-700</b>	<b>04-2600-52-700</b>
8	Center Section Assembly, Pro-Flo <sup>®</sup>	1	04-3150-13-700	04-3150-13-700	04-3150-13-700	04-3150-13-700
9	Bushing Reducer, NPT/BSP Combo	1	04-6950-13-700	04-6950-13-700	04-6950-13-700	04-6950-13-700
<b>10</b>	<b>Shaft Seal</b>	<b>2</b>	<b>08-3510-55-225</b>	<b>08-3510-55-225</b>	<b>08-3510-55-225</b>	<b>08-3510-55-225</b>
11	Pilot Spool Retaining O-Ring	2	04-2650-49-700	04-2650-49-700	04-2650-49-700	04-2650-49-700
12	Removable Pilot Spool Assy.	1	04-3880-99	04-3880-99	04-3880-99	04-3880-99
13	Retaining Ring	2	04-3890-03	04-3890-03	04-3890-03	04-3890-03
14	Shaft	1	04-3800-03-700	04-3800-03-700	04-3800-03-700	04-3800-03-700
	Shaft, Ultra-Flex	1	04-3830-03-700	04-3830-03-700	04-3830-03-700	04-3830-03-700
15	Shaft Stud	2	04-6150-08	04-6150-08	04-6150-08	04-6150-08
	Shaft Stud, Ultra-Flex	2	04-6152-08	04-6152-08	04-6152-08	04-6152-08
16	Inner Piston	2	04-3715-01	04-3715-01	04-3715-01	04-3715-01
	Inner Piston, Ultra-Flex	2	04-3710-01-700	04-3710-01-700	04-3710-01-700	04-3710-01-700
17	Outer Piston	2	04-4600-01	04-4600-01	04-4600-03	04-4600-03P
	Outer Piston, Ultra-Flex	2	04-4560-01	04-4560-02	04-4560-03	N/A
<b>18</b>	<b>Diaphragm</b>	<b>2</b>	<b>*</b>	<b>*</b>	<b>*</b>	<b>*</b>
<b>19</b>	<b>Back-up Diaphragm</b>	<b>2</b>	<b>04-1060-51</b>	<b>04-1060-51</b>	<b>04-1060-51</b>	<b>04-1060-51</b>
<b>20</b>	<b>Seat, Valve</b>	<b>4</b>	<b>04-1121-01</b>	<b>04-1121-08</b>	<b>04-1121-03</b>	<b>04-1121-03P</b>
<b>21</b>	<b>Valve Ball</b>	<b>4</b>	<b>04-1080-55</b>	<b>04-1080-55</b>	<b>04-1080-55</b>	<b>04-1080-55</b>
<b>22</b>	<b>Valve Seat O-ring</b>	<b>4</b>	<b>04-1200-55</b>	<b>04-1200-55</b>	<b>04-1200-55</b>	<b>04-1200-55</b>
23	Liquid Chamber	2	04-5000-01	04-5000-02	04-5000-03	04-5000-03P
24	Large Clamp Band Assy.	2	04-7330-08	04-7330-08	04-7330-03	04-7330-03-70
25	Small Clamp Band Assy.	4	04-7100-08	04-7100-08	04-7100-03	04-7100-03-70
26	Discharge Manifold	1	04-5020-01	04-5020-02	04-5020-03	04-5020-03-70P
27	Inlet Manifold	1	04-5080-01	04-5080-02	04-5080-03	04-5080-03-70P
28	Carriage Bolt, Large Clamp Band (5/16"-18 x 2-1/2")	4	04-6070-08	04-6070-08	04-6070-03	04-6070-03
29	Hex Nut, Large Clamp Band (5/16"-18)	4	04-6420-08	04-6420-08	08-6400-03	08-6661-10
30	Carriage Bolt, Small Clamp Band (1/4"-20 x 2")	8	04-6050-08	04-6050-08	01-6070-03	01-6070-03
31	Hex Nut, Small Clamp Band (1/4"-20)	8	04-6400-08	04-6400-08	04-6400-03	04-6651-10
	Muffler (Not Shown)	1	04-3510-99	04-3510-99	04-3510-99	04-3510-99
	Washer, Flat, 1/4" (not shown)	8	N/A	N/A	N/A	04-6700-07-70
	Washer, Flat, 5/16" (not shown)	4	N/A	N/A	N/A	08-6700-07-70

<sup>1</sup>Air Valve Assembly includes item numbers 2 and 3.

BSP-fitted pumps are available. Contact your distributor for part numbers.

For optional P4 Metal Pump elastomers, see Section 9.

070 Specialty Code = Saniflo<sup>FDA</sup>

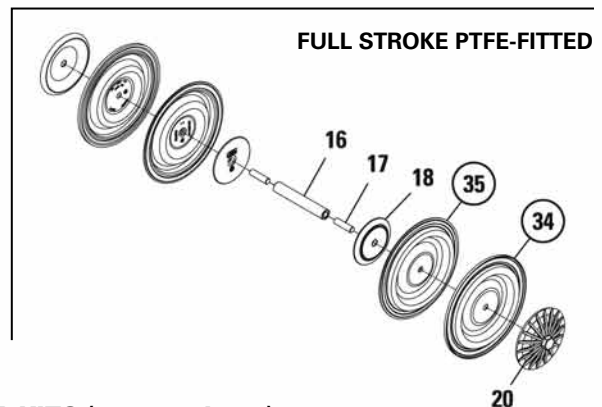
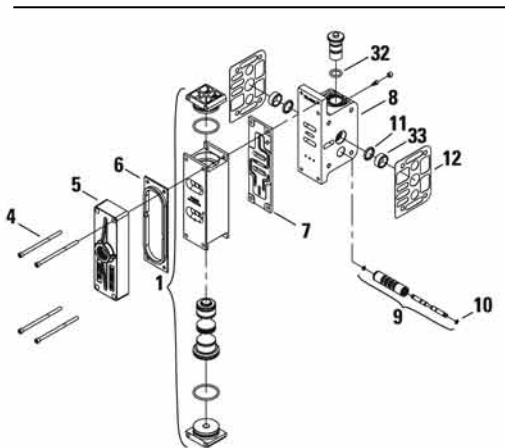
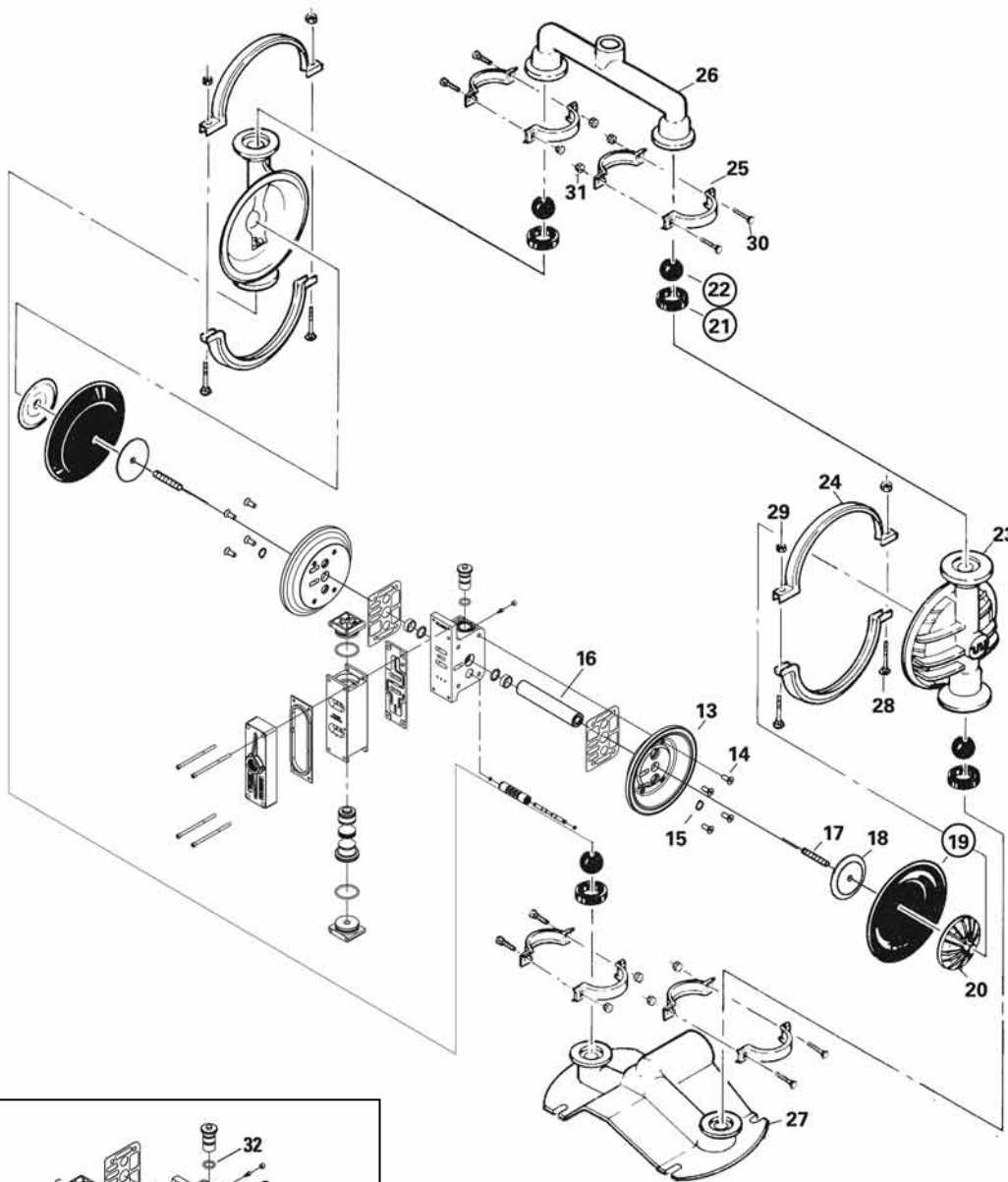
\*See Section 9 — Elastomer Chart

**All boldface items are primary wear parts.**

**EXPLODED VIEW AND PARTS LISTING**

**PX4 METAL Full Stroke-Fitted**

**EXPLODED VIEW**



**ALL CIRCLED PART IDENTIFIERS ARE INCLUDED IN REPAIR KITS (see section 9).**



# EXPLODED VIEW AND PARTS LISTING

## PX4 METAL Full Stroke-Fitted

## PARTS LISTING

Item	Description	Qty.	PX4/AAAAA/ P/N	PX4/WWAAA/ P/N	PX4/SSAAA/ P/N	PX4/SSAAA/0070 P/N	PX4/SSSSS P/N	PX4/SSSSS/0070 P/N
1	Pro-Flo X™ Assembly, Air Valve <sup>1</sup>	1	<b>04-2030-01</b>	04-2030-01	<b>04-2030-01</b>	04-2030-01	04-2030-03	04-2030-03
2	O-Ring (-225), End Cap (1.859 x .139)	2	04-3290-52-700	04-3290-52-700	04-3290-52-700	04-3290-52-700	04-3290-52-700	04-3290-52-700
3	End Cap	2	04-2340-01	04-2340-01	04-2340-01	04-2340-01	04-2340-03	04-2340-03
4	Screw, SHC, Air Valve (1/4"-20 x 4 1/2")	4	01-6000-03	01-6000-03	01-6000-03	01-6000-03	01-6000-03	01-6000-03
5	Muffler Plate, Pro-Flo V™	1	04-3185-01	04-3185-01	04-3185-01	04-3185-01	04-3185-03	04-3185-03
6	<b>Gasket, Muffler Plate, Pro-Flo V™</b>	1	<b>04-3502-52</b>	<b>04-3502-52</b>	<b>04-3502-52</b>	<b>04-3502-52</b>	<b>04-3502-52</b>	<b>04-3502-52</b>
7	<b>Gasket, Air Valve, Pro-Flo V™</b>	1	<b>04-2620-52</b>	<b>04-2620-52</b>	<b>04-2620-52</b>	<b>04-2620-52</b>	<b>04-2620-52</b>	<b>04-2620-52</b>
8	Center Block Assembly, Pro-Flo X™ <sup>2</sup>	1	08-3126-01	08-3126-01	08-3126-01	08-3126-01	08-3126-03	08-3126-03
9	<b>Pilot Sleeve Assembly</b>	1	<b>04-3880-99</b>	<b>04-3880-99</b>	<b>04-3880-99</b>	<b>04-3880-99</b>	<b>04-3880-99</b>	<b>04-3880-99</b>
10	<b>Pilot Spool Retaining O-Ring</b>	2	<b>04-2650-49-700</b>	<b>04-2650-49-700</b>	<b>04-2650-49-700</b>	<b>04-2650-49-700</b>	<b>04-2650-49-700</b>	<b>04-2650-49-700</b>
11	<b>Shaft Seal</b>	2	<b>08-3210-55-225</b>	<b>08-3210-55-225</b>	<b>08-3210-55-225</b>	<b>08-3210-55-225</b>	<b>08-3210-55-225</b>	<b>08-3210-55-225</b>
12	<b>Gasket, Center Block Pro-Flo V™</b>	2	<b>04-3529-52</b>	<b>04-3529-52</b>	<b>04-3529-52</b>	<b>04-3529-52</b>	<b>04-3529-52</b>	<b>04-3529-52</b>
13	Air Chamber, Pro-Flo	2	04-3660-01	04-3660-01	04-3660-01	04-3660-01	04-3660-03	04-3660-03
14	Screw, HSFHS (3/8"-16 x 1")	8	71-6250-08	71-6250-08	71-6250-08	71-6250-08	71-6250-08	71-6250-08
15	Retaining Ring	2	04-3890-03	04-3890-03	04-3890-03	04-3890-03	04-3890-03	04-3890-03
16	Shaft	1	04-3800-03-700	04-3800-03-700	04-3800-03-700	04-3800-03-700	04-3800-03-700	04-3800-03-700
17	Shaft Stud (P4/WAPP:Bolt) <sup>3</sup>	2	08-6150-08	04-6091-08	08-6150-08	08-6150-08	08-6150-08	08-6150-08
18	Piston, Inner	2	04-3700-01-700	04-3700-01-700	04-3700-01-700	04-3700-01-700	04-3700-01-700	04-3700-01-700
19	<b>Diaphragm</b>	2	*	*	*	<b>04-1010-56</b>	*	<b>04-1010-56</b>
20	Piston, Outer	2	04-4552-01	04-4550-08	04-4550-03	04-4550-03P	04-4550-03	04-4550-03P
21	<b>Seat, Valve</b>	4	*	*	*	<b>04-1120-56</b>	*	<b>04-1120-56</b>
22	<b>Ball, Valve</b>	4	*	*	*	<b>04-1080-56</b>	*	<b>04-1080-56</b>
23	Liquid Chamber	2	04-5000-01	04-5000-02	04-5000-03	04-5000-03P	04-5000-03	04-5000-03P
24	Large Clamp Band Assembly	2	04-7330-08	04-7330-08	04-7330-03	04-7330-03-70	04-7330-03	04-7330-03-70
25	Small Clamp Band Assembly	4	04-7100-08	04-7100-08	04-7100-03	04-7100-03-70	04-7100-03	04-7100-03-70
26	Manifold, Discharge	1	04-5020-01	04-5020-02	04-5020-03	04-5020-03-70P	04-5020-03	04-5020-03-70P
27	Manifold, Footed Inlet	1	04-5080-01	04-5080-02	04-5080-03	04-5080-03-70P	04-5080-03	04-5080-03-70P
28	Carriage Bolt, Lrg Clamp Band (5/16"-18 x 2-1/2")	4	04-6070-08	04-6070-08	04-6070-03	04-6070-03	04-6070-03	04-6070-03
29	Hex Nut, Large Clamp Band (5/16"-18)	4	04-6420-08	04-6420-08	08-6400-03	08-6661-10	08-6400-03	08-6661-10
30	Carriage Bolt, Small Clamp Band (1/4"-20 x 2")	8	04-6050-08	04-6050-08	01-6070-03	01-6070-03	01-6070-03	01-6070-03
31	Hex Nut, Small Clamp Band (1/4"-20)	8	04-6400-08	04-6400-08	04-6400-03	04-6651-10	04-6400-03	04-6651-10
32	<b>O-Ring (-210), Adjuster (Ø.734" x Ø.139")</b>	1	<b>02-3200-52</b>	<b>02-3200-52</b>	<b>02-3200-52</b>	<b>02-3200-52</b>	<b>02-3200-52</b>	<b>02-3200-52</b>
33	<b>Bushing, Shaft</b>	2	<b>08-3306-13</b>	<b>08-3306-13</b>	<b>08-3306-13</b>	<b>08-3306-13</b>	<b>08-3306-13</b>	<b>08-3306-13</b>
34	<b>Diaphragm, Primary Full Stroke PTFE</b>	2	*	*	*	*	*	*
35	<b>Diaphragm, Backup Full Stroke PTFE</b>	2	*	*	*	*	*	*
	Muffler (not shown)	1	15-3510-99R	15-3510-99R	15-3510-99R	15-3510-99R	15-3510-99R	15-3510-99R
	Washer, Flat, (1/4") (Not Shown)	8	N/A	N/A	N/A	04-6700-07-70	N/A	04-6700-07-70
	Washer, Flat, (5/16") (Not Shown)	4	N/A	N/A	N/A	08-6700-07-70	N/A	08-6700-07-70

\* See elastomer chart - Section 9

<sup>1</sup> Air Valve Assembly includes items 2 and 3.

<sup>2</sup> Center Block Assembly includes item 11, 32 and 33.

<sup>3</sup> Rubber/TPE-fitted cast iron pumps use 1/2"-20 x 1-1/2" hex bolt (P/N 04-6091-08) with washer (P/N 04-6800-08)

Aluminum pumps are available with a screen base. Requires 1 Screen (P/N 04-5620-01, 4 bolts (P/N 04-6140-08) and 4 washers (P/N 15-6720-08)

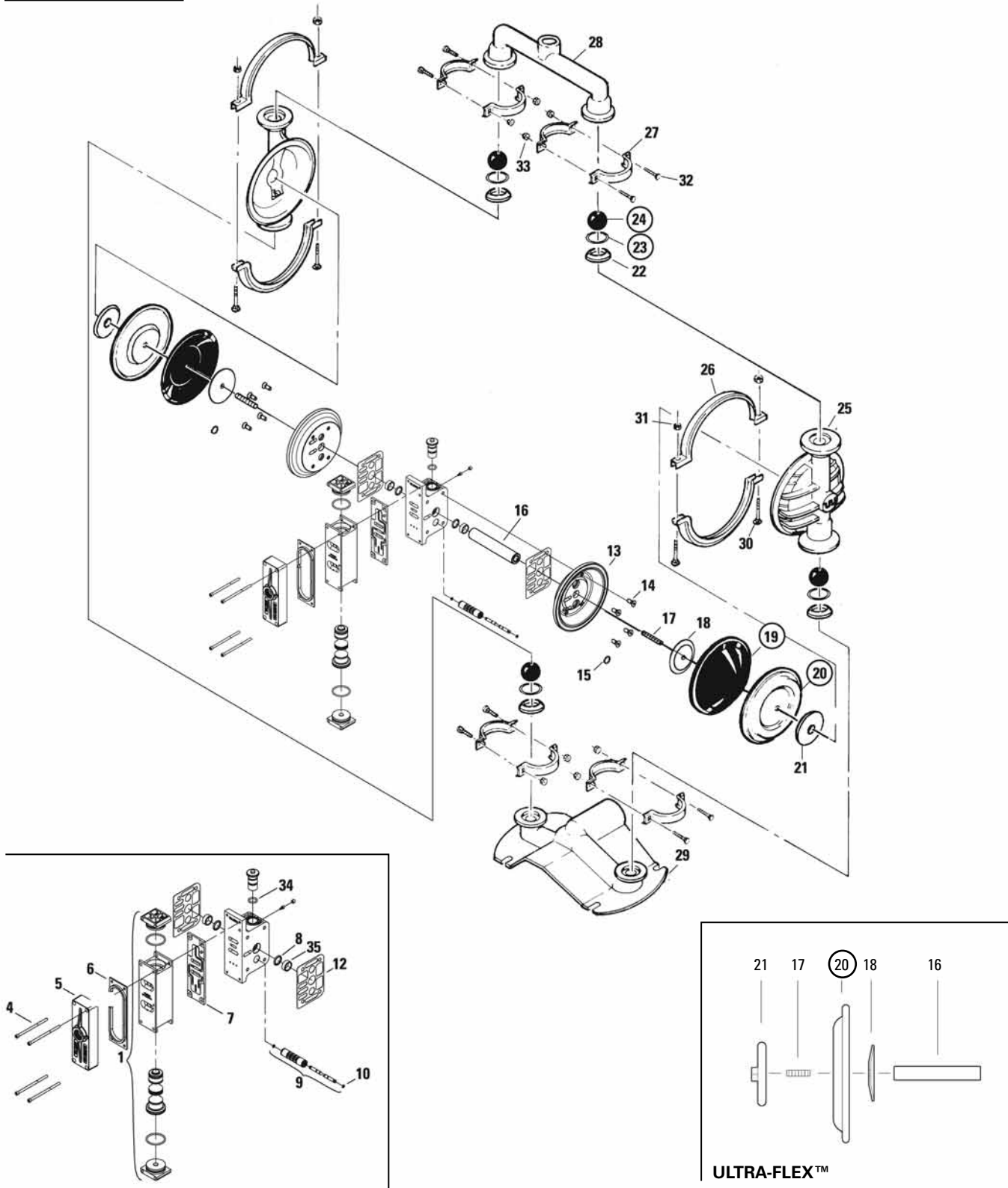
**All boldface items are primary wear parts.**

**EXPLODED VIEW AND PARTS LISTING**

**PX4 METAL**

Reduced Stroke-Fitted

**EXPLODED VIEW**



**ALL CIRCLED PART IDENTIFIERS ARE INCLUDED IN REPAIR KITS (see section 9).**



# EXPLODED VIEW AND PARTS LISTING

## PX4 METAL Reduced Stroke-Fitted

## PARTS LISTING

Item	Description	Qty.	PX4/AAAAA/ P/N	PX4/WWAAA/ P/N	PX4/SSAAA/ P/N	PX4/SSAAA/0070 P/N	PX4/SSSSS P/N	PX4/SSSSS/0070 P/N
1	Pro-Flo X™ Assembly, Air Valve <sup>1</sup>	1	04-2030-01	04-2030-01	04-2030-01	04-2030-01	04-2030-03	04-2030-03
2	O-Ring (-225), End Cap (1.859 x .139)	2	04-3290-52-700	04-3290-52-700	04-3290-52-700	04-3290-52-700	04-3290-52-700	04-3290-52-700
3	End Cap	2	04-2340-01	04-2340-01	04-2340-01	04-2340-01	04-2340-03	04-2340-03
4	Screw, SHC, Air Valve (1/4"-20 x 4 1/2")	4	01-6000-03	01-6000-03	01-6000-03	01-6000-03	01-6000-03	01-6000-03
5	Muffler Plate, Pro-Flo V™	1	04-3185-01	04-3185-01	04-3185-01	04-3185-01	04-3185-03	04-3185-03
6	<b>Gasket, Muffler Plate, Pro-Flo V™</b>	1	<b>04-3502-52</b>	<b>04-3502-52</b>	<b>04-3502-52</b>	<b>04-3502-52</b>	<b>04-3502-52</b>	<b>04-3502-52</b>
7	<b>Gasket, Air Valve, Pro-Flo V™</b>	1	<b>04-2620-52</b>	<b>04-2620-52</b>	<b>04-2620-52</b>	<b>04-2620-52</b>	<b>04-2620-52</b>	<b>04-2620-52</b>
8	Center Block Assembly, Pro-Flo X™ <sup>2</sup>	1	08-3126-01	08-3126-01	08-3126-01	08-3126-01	08-3126-03	08-3126-03
9	<b>Pilot Sleeve Assembly</b>	1	<b>04-3880-99</b>	<b>04-3880-99</b>	<b>04-3880-99</b>	<b>04-3880-99</b>	<b>04-3880-99</b>	<b>04-3880-99</b>
10	<b>Pilot Spool Retaining O-Ring</b>	2	<b>04-2650-49-700</b>	<b>04-2650-49-700</b>	<b>04-2650-49-700</b>	<b>04-2650-49-700</b>	<b>04-2650-49-700</b>	<b>04-2650-49-700</b>
11	<b>Shaft Seal</b>	2	<b>08-3210-55-225</b>	<b>08-3210-55-225</b>	<b>08-3210-55-225</b>	<b>08-3210-55-225</b>	<b>08-3210-55-225</b>	<b>08-3210-55-225</b>
12	<b>Gasket, Center Block Pro-Flo V™</b>	2	<b>04-3529-52</b>	<b>04-3529-52</b>	<b>04-3529-52</b>	<b>04-3529-52</b>	<b>04-3529-52</b>	<b>04-3529-52</b>
13	Air Chamber, Pro-Flo	2	04-3660-01	04-3660-01	04-3660-01	04-3660-01	04-3660-03	04-3660-03
14	Screw, HSFHS (3/8"-16 x 1")	8	71-6250-08	71-6250-08	71-6250-08	71-6250-08	71-6250-08	71-6250-08
15	Retaining Ring	2	04-3890-03	04-3890-03	04-3890-03	04-3890-03	04-3890-03	04-3890-03
16	Shaft	1	04-3820-03-700	04-3820-03-700	04-3820-03-700	04-3820-03-700	04-3820-03-700	04-3820-03-700
	Shaft, Ultra-Flex™	1	04-3830-03-700	04-3830-03-700	04-3830-03-700	N/A	04-3830-03-700	N/A
17	Shaft Stud	2	04-6150-08	04-6150-08	04-6150-08	04-6150-08	04-6150-08	04-6150-08
	Shaft Stud, Ultra-Flex™	2	N/A	04-6152-08	04-6152-08	N/A	04-6152-08	N/A
18	Piston, Inner	2	04-3752-01	04-3752-01	04-3752-01	04-3752-01	04-3752-01	04-3752-01
	Piston Inner, Ultra-Flex™	2	04-3760-01-700	04-3760-01-700	04-3760-01-700	N/A	04-3760-01-700	N/A
19	<b>Diaphragm, Back-Up<sup>3</sup></b>	2	<b>04-1060-51</b>	<b>04-1060-51</b>	<b>04-1060-51</b>	<b>04-1060-51</b>	<b>04-1060-51</b>	<b>04-1060-51</b>
20	<b>Diaphragm</b>	2	*	*	*	*	*	*
21	Piston, Outer	2	04-4600-01	04-4600-03	04-4600-03	04-4600-03P	04-4600-03P	04-4600-03P
	Piston Outer, Ultra-Flex™	2	04-4560-01	04-4560-02	02-4550-03	N/A	02-4550-03	N/A
22	<b>Seat, Valve</b>	4	<b>04-1121-01</b>	<b>04-1121-08</b>	<b>04-1121-03</b>	<b>04-1121-03P</b>	<b>04-1121-03</b>	<b>04-1121-03P</b>
23	<b>Valve Seat O-Ring (Ø2.609" x Ø.139")</b>	4	<b>04-1200-55</b>	<b>04-1200-55</b>	<b>04-1200-55</b>	<b>04-1200-55</b>	<b>04-1200-55</b>	<b>04-1200-55</b>
24	<b>Ball, Valve</b>	4	<b>04-1080-55</b>	<b>04-1080-55</b>	<b>04-1080-55</b>	<b>04-1080-55</b>	<b>04-1080-55</b>	<b>04-1080-55</b>
25	Liquid Chamber	2	04-5000-01	04-5000-02	04-5000-03	04-5000-03P	04-5000-03	04-5000-03P
26	Large Clamp Band Assembly	2	04-7330-03	04-7330-03	04-7330-03	04-7330-03-70	04-7330-03	04-7330-03-70
27	Small Clamp Band Assembly	4	04-7100-03	04-7100-03	04-7100-03	04-7100-03-70	04-7100-03	04-7100-03-70
28	Manifold, Discharge	1	04-5020-01	04-5020-02	04-5020-03	04-5020-03-70P	04-5020-03	04-5020-03-70P
29	Manifold, Footed Inlet	1	04-5080-01	04-5080-02	04-5080-03	04-5080-03-70P	04-5080-03	04-5080-03-70P
30	Carriage Bolt, Lrg Clamp Band (5/16"-18 x 2-1/2")	4	04-6070-03	04-6070-03	04-6070-03	04-6070-03	04-6070-03	04-6070-03
31	Hex Nut, Large Clamp Band (5/16"-18)	4	08-6400-03	08-6400-03	08-6400-03	08-6661-10	08-6661-10	08-6661-10
32	Carriage Bolt, Small Clamp Band (1/4"-20 x 2")	8	01-6070-03	01-6070-03	01-6070-03	01-6070-03	01-6070-03	01-6070-03
33	Hex Nut, Small Clamp Band (1/4"-20)	8	04-6400-08	04-6400-08	04-6400-03	04-6651-10	04-6400-03	04-6651-10
34	<b>O-Ring (-210), Adjuster (Ø.734" x Ø.139")</b>	1	<b>02-3200-52</b>	<b>02-3200-52</b>	<b>02-3200-52</b>	<b>02-3200-52</b>	<b>02-3200-52</b>	<b>02-3200-52</b>
35	<b>Bushing, Shaft</b>	2	<b>08-3306-13</b>	<b>08-3306-13</b>	<b>08-3306-13</b>	<b>08-3306-13</b>	<b>08-3306-13</b>	<b>08-3306-13</b>
	Muffler (not shown)	1	15-3510-99R	15-3510-99R	15-3510-99R	15-3510-99R	15-3510-99R	15-3510-99R
	Washer, Flat, (1/4") (Not Shown)	8	N/A	N/A	N/A	04-6700-07-70	N/A	04-6700-07-70
	Washer, Flat, (5/16") (Not Shown)	4	N/A	N/A	N/A	08-6700-07-70	N/A	08-6700-07-70

<sup>1</sup> Air Valve Assembly includes items 2 and 3.

<sup>2</sup> Center Block Assembly includes item 11, 34 and 35.

<sup>3</sup> Saniflex™ Back-Up diaphragms (P/N 04-1060-56) for PTFE-fitted pumps available upon request.

BSP-fitted pumps are available. Contact your distributor for part numbers.

Fluoro-Seal™ o-rings available upon request.

-0070 Specialty Code = SanifloFDA

**All boldface items are primary wear parts.**

## ELASTOMER OPTIONS

### P4 & PX4 METAL

MATERIAL	DIAPHRAGMS (2)	ULTRA-FLEX™ DIAPHRAGMS (2)	BACK UP DIAPHRAGMS (2)	VALVE BALLS (4)	VALVE SEATS (4)	VALVE SEAT O-RINGS (4)
Neoprene	04-1010-51	04-1020-51	04-1060-51	04-1080-51	04-1120-51*	N/A
Buna-N	04-1010-52	04-1020-52	N/A	04-1080-52	04-1120-52*	N/A
Viton®	04-1010-53	04-1020-53	N/A	04-1080-53	04-1120-53*	N/A
EPDM	04-1010-54	04-1020-54	04-1060-54	04-1080-54	04-1120-54*	N/A
PTFE	04-1010-55	N/A	N/A	04-1080-55	N/A	04-1200-55
Full Stroke PTFE	04-1040-55	N/A	04-1065-57 <sup>1</sup>	N/A	N/A	N/A
Saniflex™	04-1010-56	N/A	04-1060-56	04-1080-56	04-1120-56*	N/A
Polyurethane	04-1010-50	N/A	N/A	04-1080-50	04-1120-50*	N/A
Wil-Flex™	04-1010-58	N/A	N/A	04-1080-58	04-1120-58*	N/A
Aluminum	N/A	N/A	N/A	N/A	04-1121-01	N/A
316 Stainless Steel	N/A	N/A	N/A	N/A	04-1121-03	N/A
Alloy C	N/A	N/A	N/A	N/A	04-1121-04	N/A
Mild Steel	N/A	N/A	N/A	N/A	04-1121-08	N/A

\*NOTE: Rubber/TPE valve seats do not require o-rings.

<sup>1</sup>For use with Full Stroke PTFE Diaphragms only.

### P4 & PX4 METAL STALLION

MATERIAL	DIAPHRAGMS (2) P/N	VALVE BALLS (4) P/N	VALVE SEATS (4) P/N
Neoprene	04-1020-51	04-1080-51-50	04-1120-51-50
Buna-N	04-1020-52	04-1080-52-50	04-1120-52-50
EPDM	04-1020-54	04-1080-54-50	04-1120-54-50
Viton®	04-1020-53	04-1080-53-50	04-1120-53-50

## ELASTOMER KITS OPTIONS

### PRO-FLO®

DESCRIPTION	NEOPRENE	BUNA-N	VITON®	EPDM
Pro-Flo® Original™ Metal	04-9554-51	04-9554-52	04-9554-53	04-9554-54
Pro-Flo® Original™ Metal (Ultra-Flex™)	04-9564-51	04-9564-52	04-9564-53	04-9564-54
DESCRIPTION	PTFE	WIL-FLEX™	SANIFLEX™	POLYURETHANE
Pro-Flo® Original™ Metal	04-9554-55	04-9554-58	04-9554-56	04-9554-50

### PRO-FLO X™

DESCRIPTION	NEOPRENE	BUNA-N	VITON®	EPDM
Pro-Flo X™ Original™ Metal	04-9582-51	04-9582-52	04-9582-53	04-9582-54
Pro-Flo X™ Original™ Metal (Ultra-Flex™)	04-9586-51	04-9586-52	04-9586-53	04-9586-54
DESCRIPTION	PTFE	WIL-FLEX™	SANIFLEX™	POLYURETHANE
Pro-Flo X™ Original™ Metal	04-9582-55	04-9582-58	04-9582-56	04-9582-50



**NOTES**

**NOTES**

## WARRANTY

Each and every product manufactured by Wilden Pump and Engineering, LLC is built to meet the highest standards of quality. Every pump is functionally tested to insure integrity of operation.

Wilden Pump and Engineering, LLC warrants that pumps, accessories and parts manufactured or supplied by it to be free from defects in material and workmanship for a period of five (5) years from date of installation or six (6) years from date of manufacture, whichever comes first. Failure due to normal wear, misapplication, or abuse is, of course, excluded from this warranty.

Since the use of Wilden pumps and parts is beyond our control, we cannot guarantee the suitability of any pump or part for a particular application and Wilden Pump and Engineering, LLC shall not be liable for any consequential damage or expense arising from the use or misuse of its products on any application. Responsibility is limited solely to replacement or repair of defective Wilden pumps and parts.

All decisions as to the cause of failure are the sole determination of Wilden Pump and Engineering, LLC.

Prior approval must be obtained from Wilden for return of any items for warranty consideration and must be accompanied by the appropriate MSDS for the product(s) involved. A Return Goods Tag, obtained from an authorized Wilden distributor, must be included with the items which must be shipped freight prepaid.

The foregoing warranty is exclusive and in lieu of all other warranties expressed or implied (whether written or oral) including all implied warranties of merchantability and fitness for any particular purpose. No distributor or other person is authorized to assume any liability or obligation for Wilden Pump and Engineering, LLC other than expressly provided herein.

### PLEASE PRINT OR TYPE AND FAX TO WILDEN

PUMP INFORMATION			
Item # _____		Serial # _____	
Company Where Purchased _____			
YOUR INFORMATION			
Company Name _____			
Industry _____			
Name _____		Title _____	
Street Address _____			
City _____		State _____	Country _____
Postal Code _____			
Telephone _____	Fax _____	E-mail _____	Web Address _____
Number of pumps in facility? _____		Number of Wilden pumps? _____	
Types of pumps in facility (check all that apply): <input type="checkbox"/> Diaphragm <input type="checkbox"/> Centrifugal <input type="checkbox"/> Gear <input type="checkbox"/> Submersible <input type="checkbox"/> Lobe			
<input type="checkbox"/> Other _____			
Media being pumped? _____			
How did you hear of Wilden Pump? <input type="checkbox"/> Trade Journal <input type="checkbox"/> Trade Show <input type="checkbox"/> Internet/E-mail <input type="checkbox"/> Distributor			
<input type="checkbox"/> Other _____			

**ONCE COMPLETE, FAX TO (909) 783-3440**

NOTE: WARRANTY VOID IF PAGE IS NOT FAXED TO WILDEN  
WILDEN PUMP & ENGINEERING, LLC