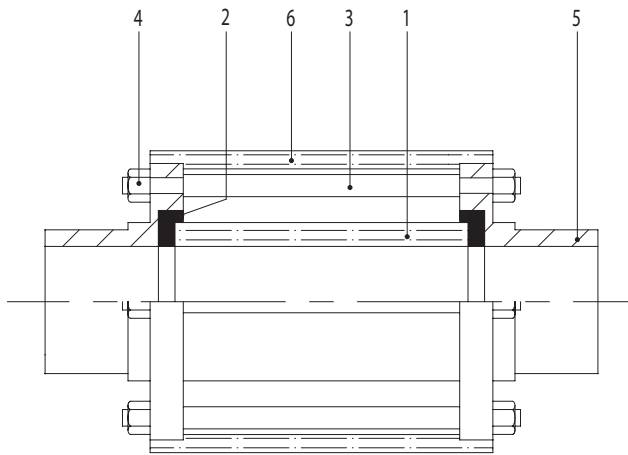


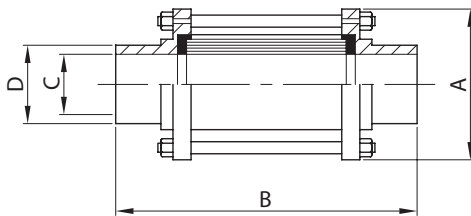
# Product info & data

## ▶ Cylindrical Sight Glass, Model 450L



- |  |   |
|--|---|
| 1. Tubo pyrex<br>Pyrex pipe<br>Tube pyrex<br>Pyrex | 4. Dado autobloccante<br>Self-locking nut<br>Écrou de sûreté<br>Tuerca de seguridad |
| 2. Guarnizione<br>Seal<br>Joint<br>Junta           | 5. Flangia<br>Flange<br>Bride<br>Brida  |
| 3. Tirante<br>Tie rod<br>Tirant<br>Tirante         | 6. Protezione<br>Guard<br>Protection<br>Protección                                  |

### Dimensions:



DN	A	B	C	D	gr
25	55,0	147,0	22,4	25,4	400
38	70,0	153,0	35,1	38,1	620
51	85,0	153,0	47,8	50,8	860
63	95,0	163,0	60,5	63,5	950
76	105,0	173,0	72,9	76,2	1.100
101	140,0	173,0	97,6	101,6	2.760

### Specifications:

1" to 4" sizes

Pressure rating to 10 bar

Pyrex Glass as standard

Acrylic on request

Protective plexiglass shield available

Connections in triclamp, male RJT,

female RJT or butt weld

